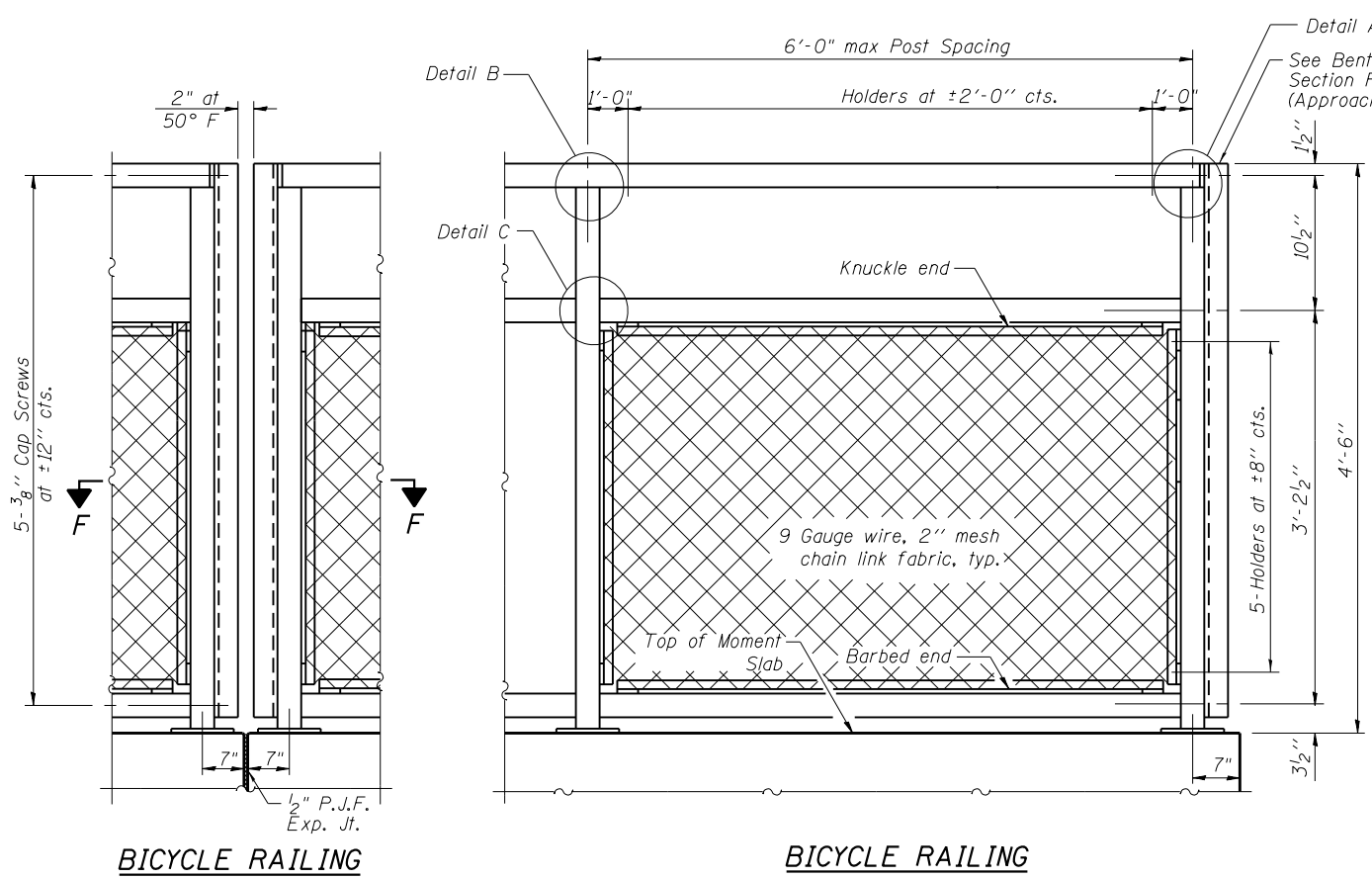


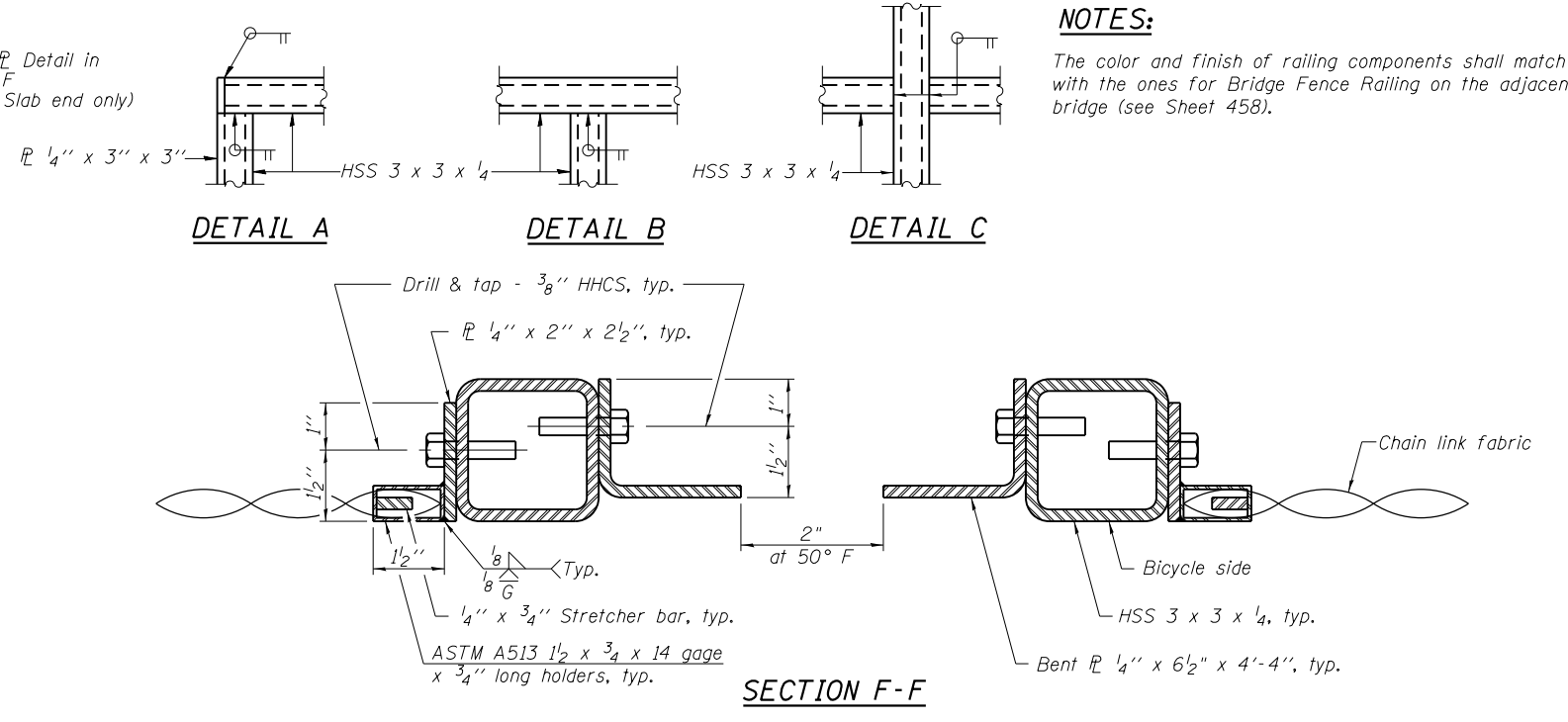
6/19/2012 11:02:36 AM

S:\101\05_CADD\60L77_IL_173\60L77_Sheets\049W045-60L77-004-DET13.dgn

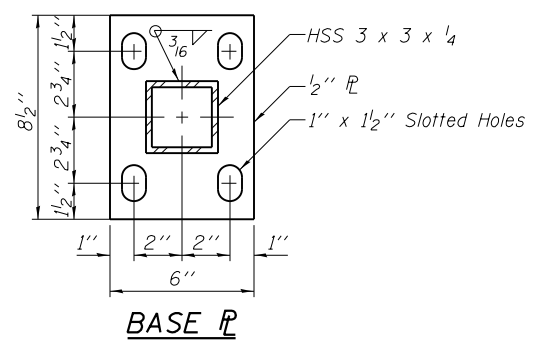


BICYCLE RAILING

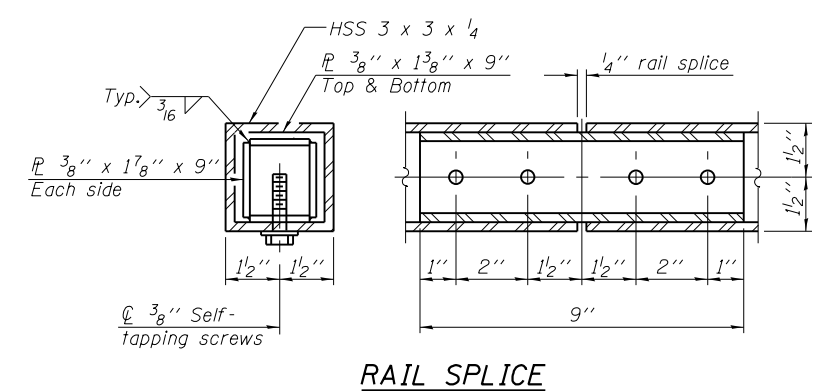
BICYCLE RAILING



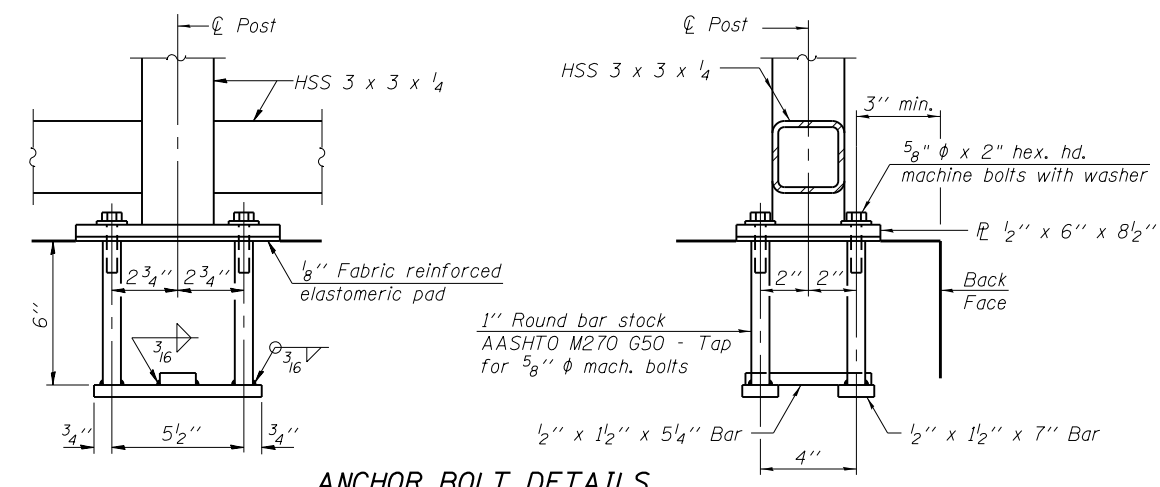
NOTES:
The color and finish of railing components shall match with the ones for Bridge Fence Railing on the adjacent bridge (see Sheet 458).



BASE PL



RAIL SPLICE



ANCHOR BOLT DETAILS

In lieu of the cast-in-place anchor device shown, the Contractor has the option of drilling and setting 5/8 inch diameter anchor rods according to Article 509.06 of the Standard Specifications. Embedment shall be according to the manufacturer's specifications.

BILL OF MATERIAL

Item	Unit	Quantity
Bicycle Railing	Foot	132

BOWMAN, BARRETT & ASSOCIATES INC.
CONSULTING ENGINEERS
Chicago, Illinois
312.228.0100
www.bbainc.com

USER NAME =	DESIGNED - IYL	REVISED -
PLOT SCALE =	CHECKED - BLU	REVISED -
PLOT DATE =	DRAWN - MTR	REVISED -
	CHECKED - IYL	REVISED -

STATE OF ILLINOIS
DEPARTMENT OF TRANSPORTATION

WALL DETAILS III
STRUCTURE NO. 049-W045

SHEET NO. S-4 OF S-6 SHEETS

F.A.I. RTE.	SECTION	COUNTY	TOTAL SHEETS	SHEET NO.
94	49-1-R-1	LAKE	677	478
CONTRACT NO. 60L77				
ILLINOIS FED. AID PROJECT				