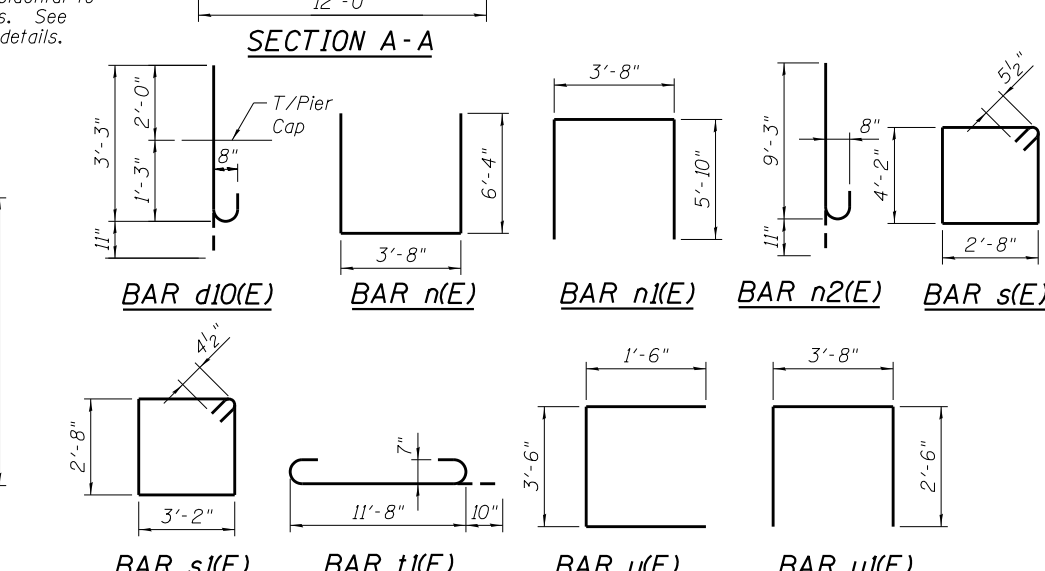
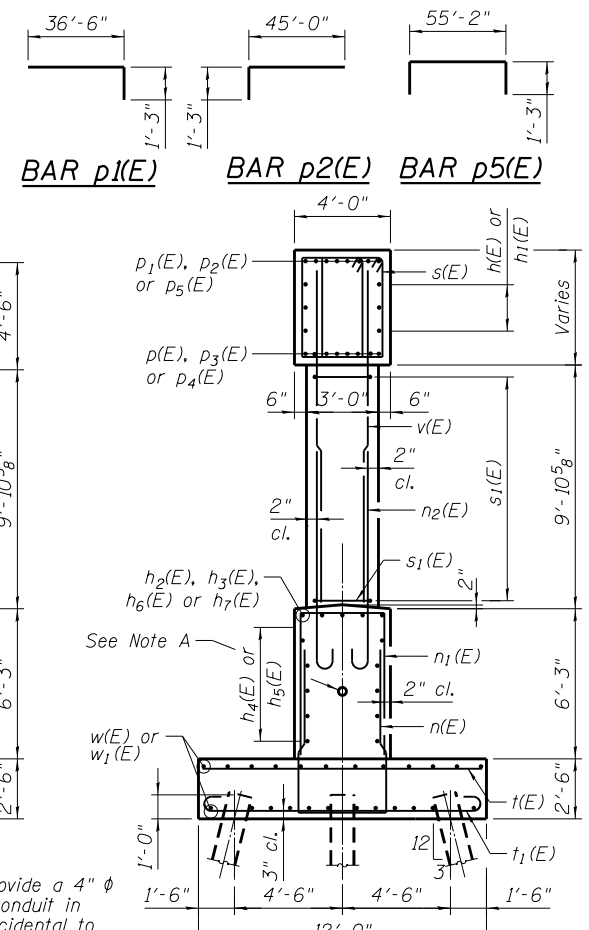
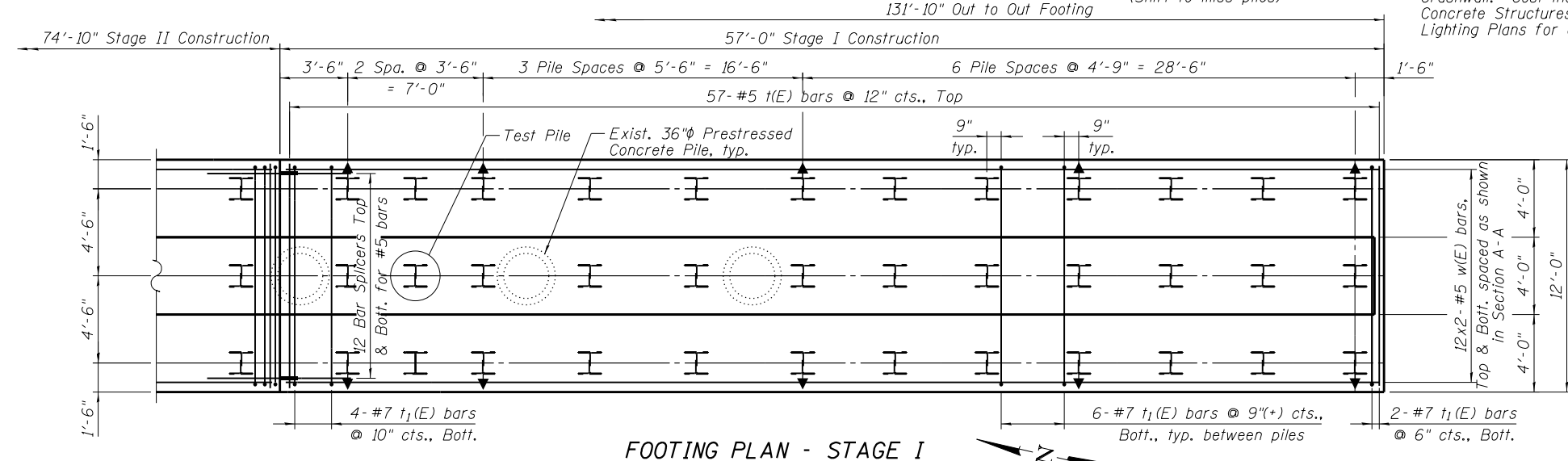
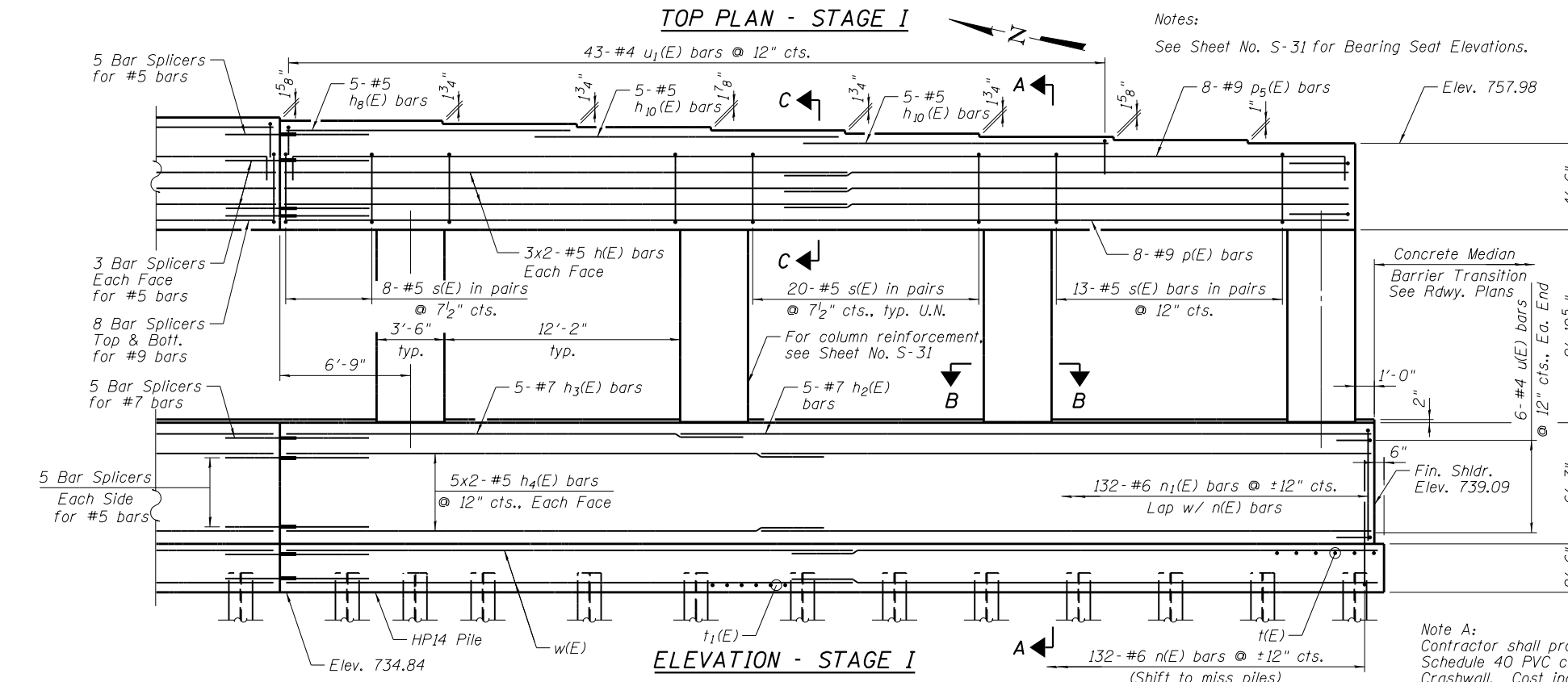
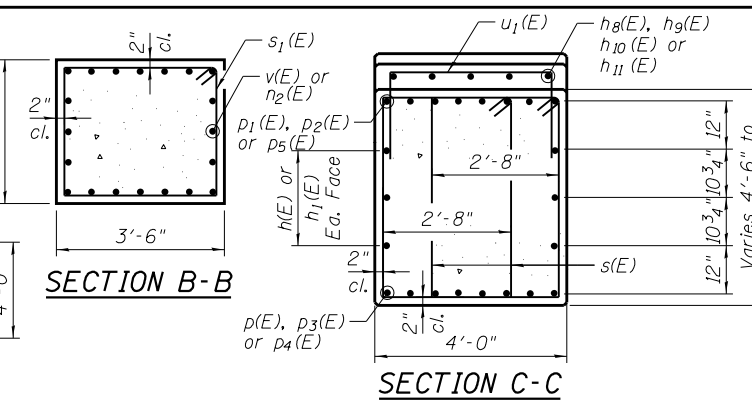
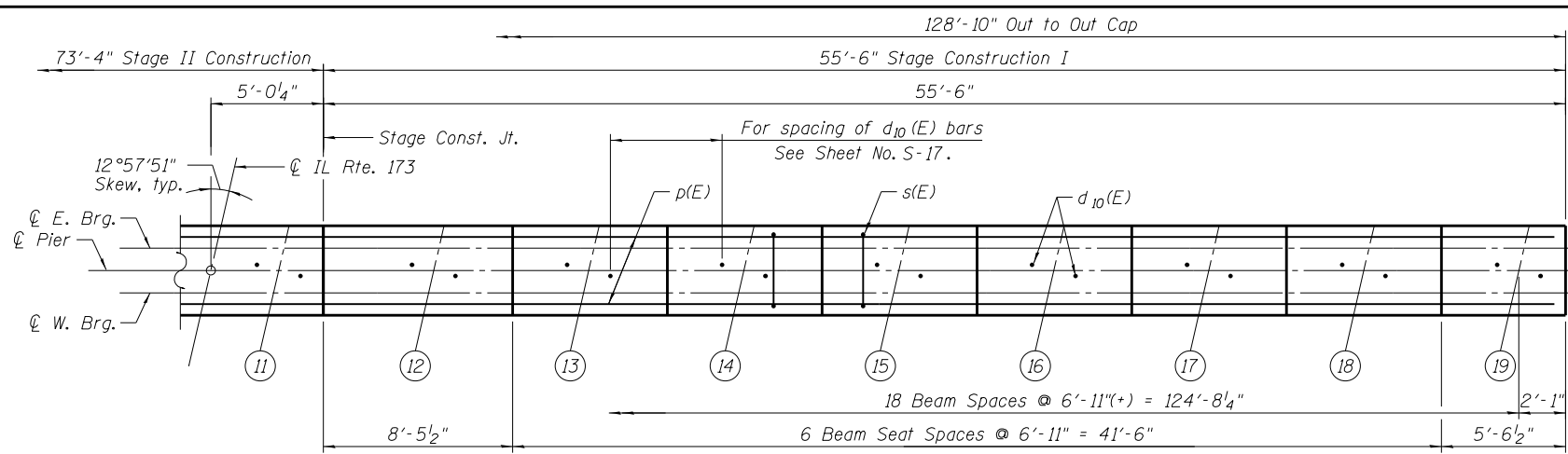


6/19/2012 11:02:01 AM
 S:\10105\CADD\60177_IL_173\60177_Sheets\0490535-60177-032-PD2.dgn



BILL OF MATERIAL				
Bar	No.	Size	Length	Shape
$d_{10}(E)$	110	#8	4'-2"	
$h(E)$	12	#5	29'-2"	
$h_1(E)$	12	#5	38'-1"	
$h_2(E)$	5	#7	36'-6"	
$h_3(E)$	5	#7	24'-9"	
$h_4(E)$	20	#5	29'-8"	
$h_5(E)$	20	#5	38'-8"	
$h_6(E)$	5	#7	42'-8"	
$h_7(E)$	5	#7	36'-6"	
$h_8(E)$	5	#5	15'-1"	
$h_9(E)$	5	#5	19'-0"	
$h_{10}(E)$	20	#5	17'-0"	
$h_{11}(E)$	5	#5	29'-5"	
$n(E)$	132	#6	16'-4"	
$n_1(E)$	132	#6	15'-4"	
$n_2(E)$	180	#8	10'-2"	
$p(E)$	8	#9	55'-2"	
$p_1(E)$	8	#9	37'-9"	
$p_2(E)$	8	#9	46'-3"	
$p_3(E)$	8	#9	37'-3"	
$p_4(E)$	8	#9	44'-4"	
$p_5(E)$	8	#9	57'-8"	
$s(E)$	292	#5	14'-7"	
$s_1(E)$	90	#4	12'-5"	
$t(E)$	132	#5	11'-8"	
$t_1(E)$	161	#7	13'-4"	
$u(E)$	24	#4	6'-6"	
$u_1(E)$	117	#4	8'-8"	
$v(E)$	180	#8	12'-9"	
$w(E)$	48	#5	29'-11"	
$w_1(E)$	48	#5	38'-10"	
Reinforcement Bars, Epoxy Coated		Pound	45,890	
Concrete Structures		Cu. Yds.	400.6	
Structure Excavation		Cu. Yds.	350	
Furnishing Steel Piles HP14x73		Foot	3,600	
Driving Piles		Foot	3,600	
Test Pile Steel HP14x73		Each	1	
Concrete Sealer		Sq. Ft.	5,084	

BOWMAN, BARRETT & ASSOCIATES INC. CONSULTING ENGINEERS Chicago, Illinois 312.228.0100 www.bbandatinc.com	USER NAME =	DESIGNED - SF	DATE - 6/19/2012
	PLOT SCALE =	CHECKED - MRM	REVISED -
	PLOT DATE =	DRAWN - MTR	REVISED -
		CHECKED - SF	REVISED -

STATE OF ILLINOIS
 DEPARTMENT OF TRANSPORTATION

PIER DETAILS II
 STRUCTURE NO. 049-0535 (BRIDGE NO. 441)
 SHEET NO. S-32 OF S-36 SHEETS

F.A.I. RTE.	SECTION	COUNTY	TOTAL SHEETS	SHEET NO.
94	49-1-R-1	LAKE	677	470
CONTRACT NO. 60L77				
ILLINOIS FED. AID PROJECT				