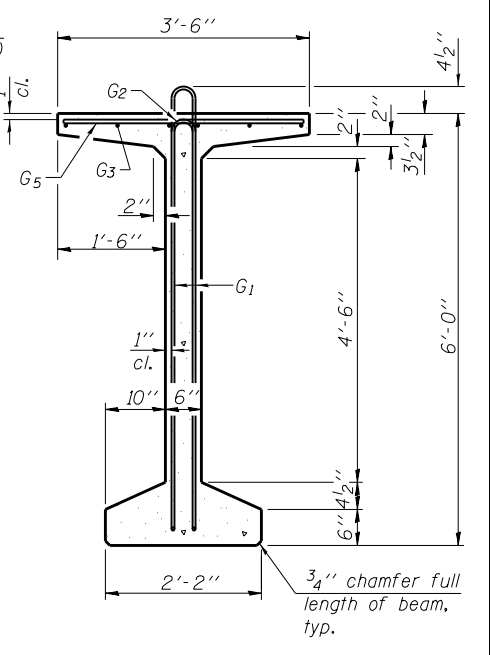
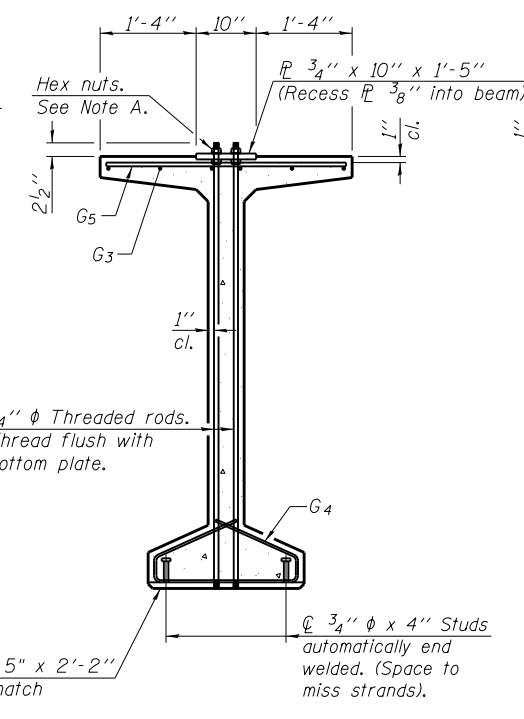
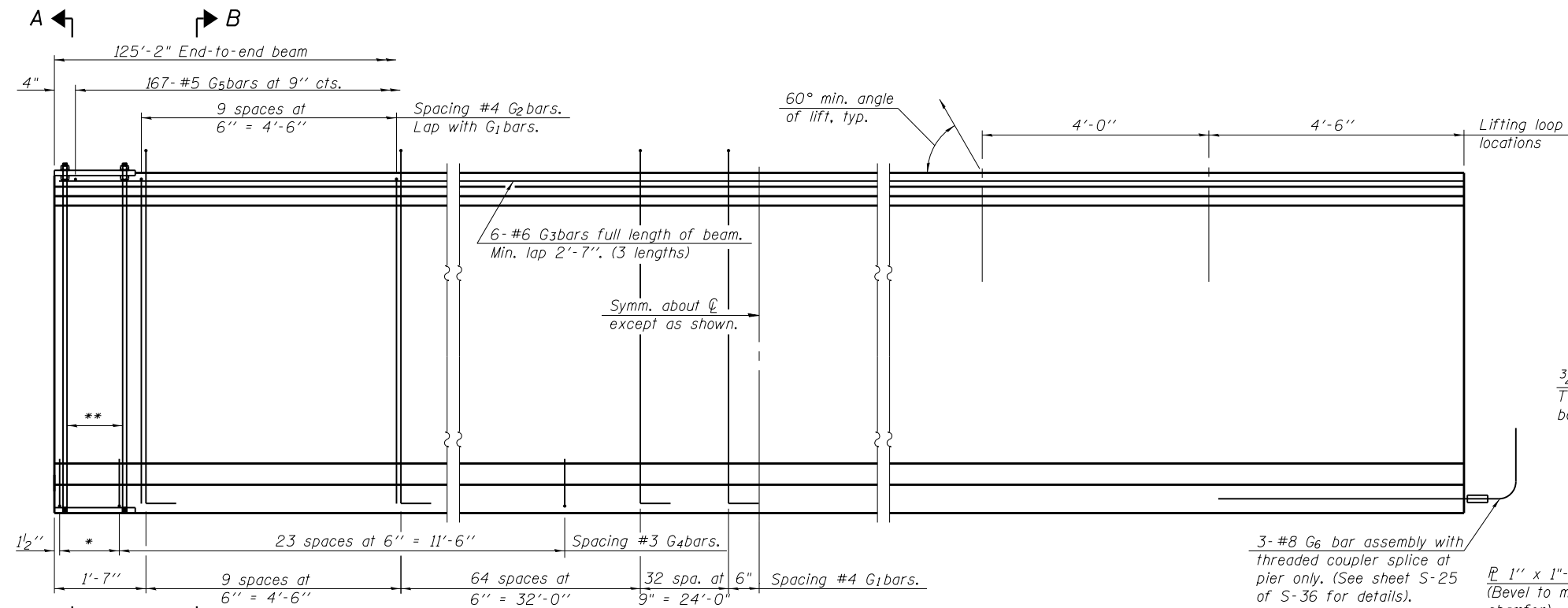


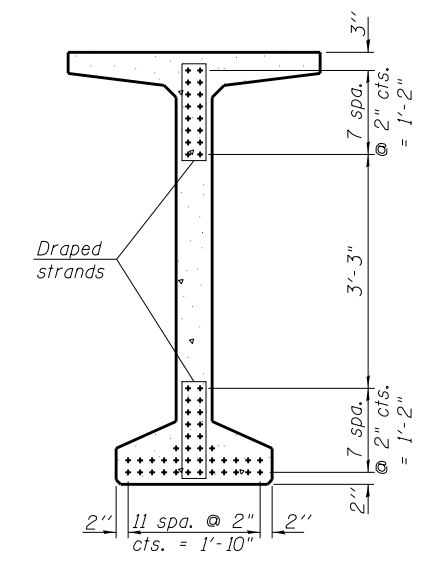
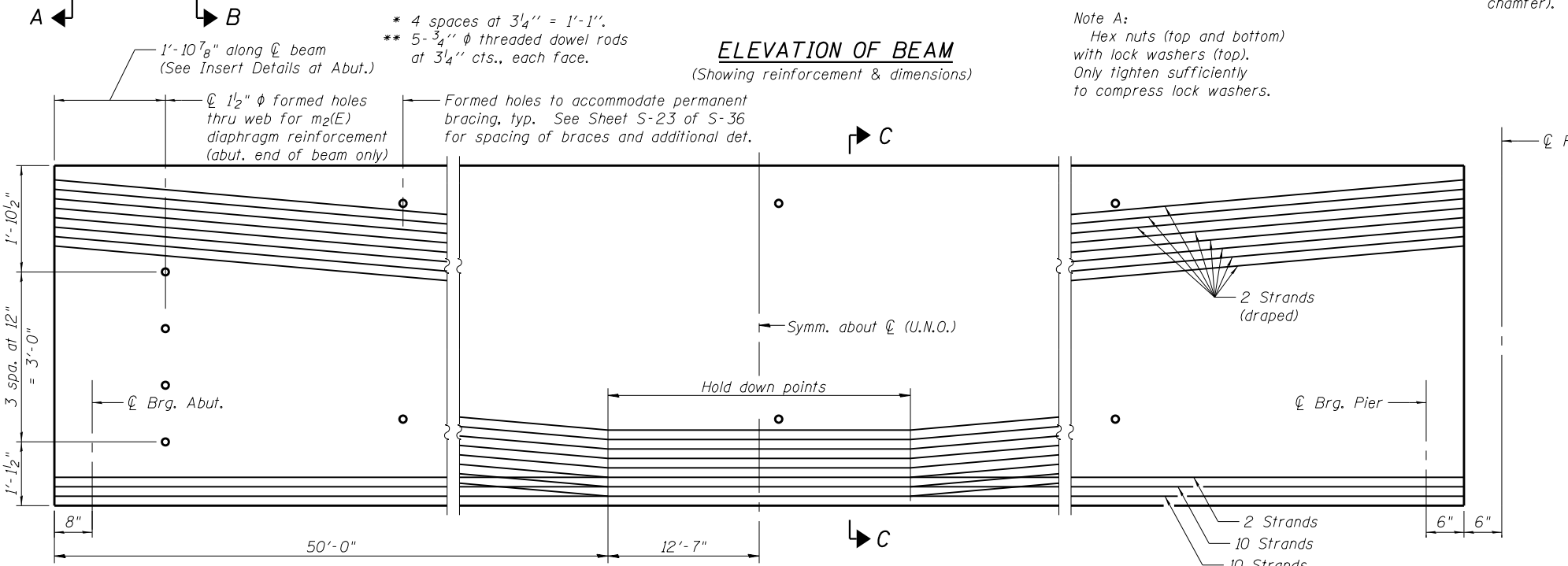
6/19/2012 11:05:55 AM

S:\10105_CADD\60L77_IL_173\60L77_Sheets\0490535-60L77-024-BD1.dgn



SECTION A-A

SECTION B-B



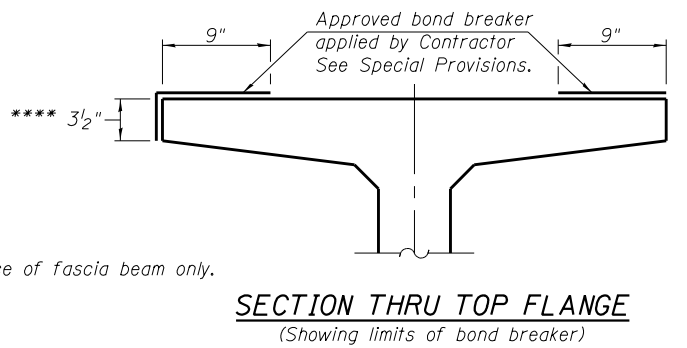
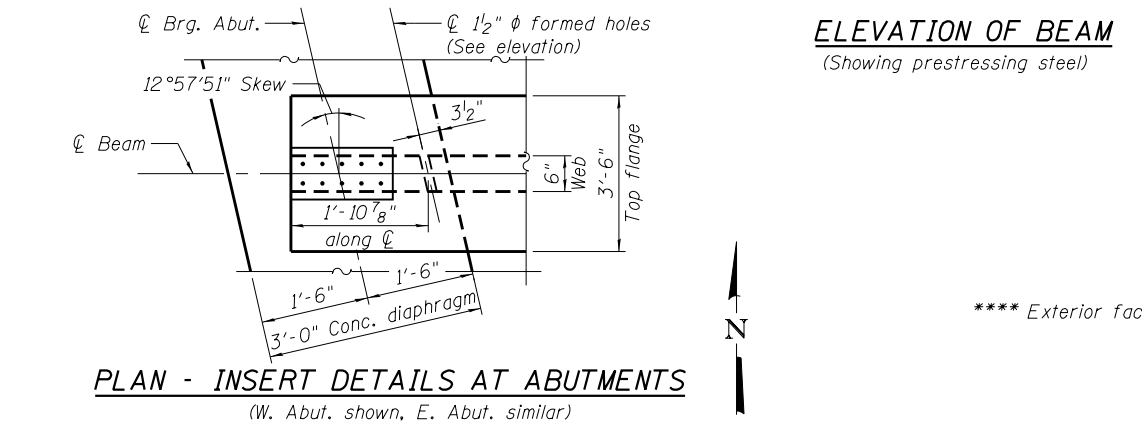
SECTION C-C

***BAR LIST
ONE BEAM ONLY

Bar	No.	Size	Length	Shape
G ₁	212	#4	13'-5"	∩L
G ₂	20	#4	11'-8"	∩
G ₃	18	#6	43'-3"	—
G ₄	56	#3	4'-11"	∩
G ₅	167	#5	3'-4"	—
G ₆	3	#8	6'-7"	U

***For information only

Notes:
See sheet S-25 of S-36 for additional details and Bill of Material.
See sheets S-16 and S-17 of S-36 for m₂(E) bar details.
Required release strength, f'_{ci}, shall be 6,000 psi.
Apply approved bond breaker as shown in Section Thru Top Flange full length of beam. See Special Provisions.



SECTION THRU TOP FLANGE
(Showing limits of bond breaker)

**** Exterior face of fascia beam only.

PLAN - INSERT DETAILS AT ABUTMENTS

(W. Abut. shown, E. Abut. similar)

BOWMAN, BARRETT & ASSOCIATES INC. CONSULTING ENGINEERS Chicago, Illinois 312.228.0100 www.bbandatnc.com	USER NAME =	DESIGNED - MRM	DATE - 6/19/2012
	PLOT SCALE =	CHECKED - IL	REVISED -
	PLOT DATE =	DRAWN - LAM	REVISED -
		CHECKED - MRM	REVISED -

STATE OF ILLINOIS
DEPARTMENT OF TRANSPORTATION

72" PPC BULB T-BEAM DETAILS I
STRUCTURE NO. 049-0535 (BRIDGE NO. 441)

SHEET NO. S-24 OF S-36 SHEETS

F.A.I. RTE.	SECTION	COUNTY	TOTAL SHEETS	SHEET NO.
94	49-1-R-1	LAKE	677	462
CONTRACT NO. 60L77				

ILLINOIS FED. AID PROJECT