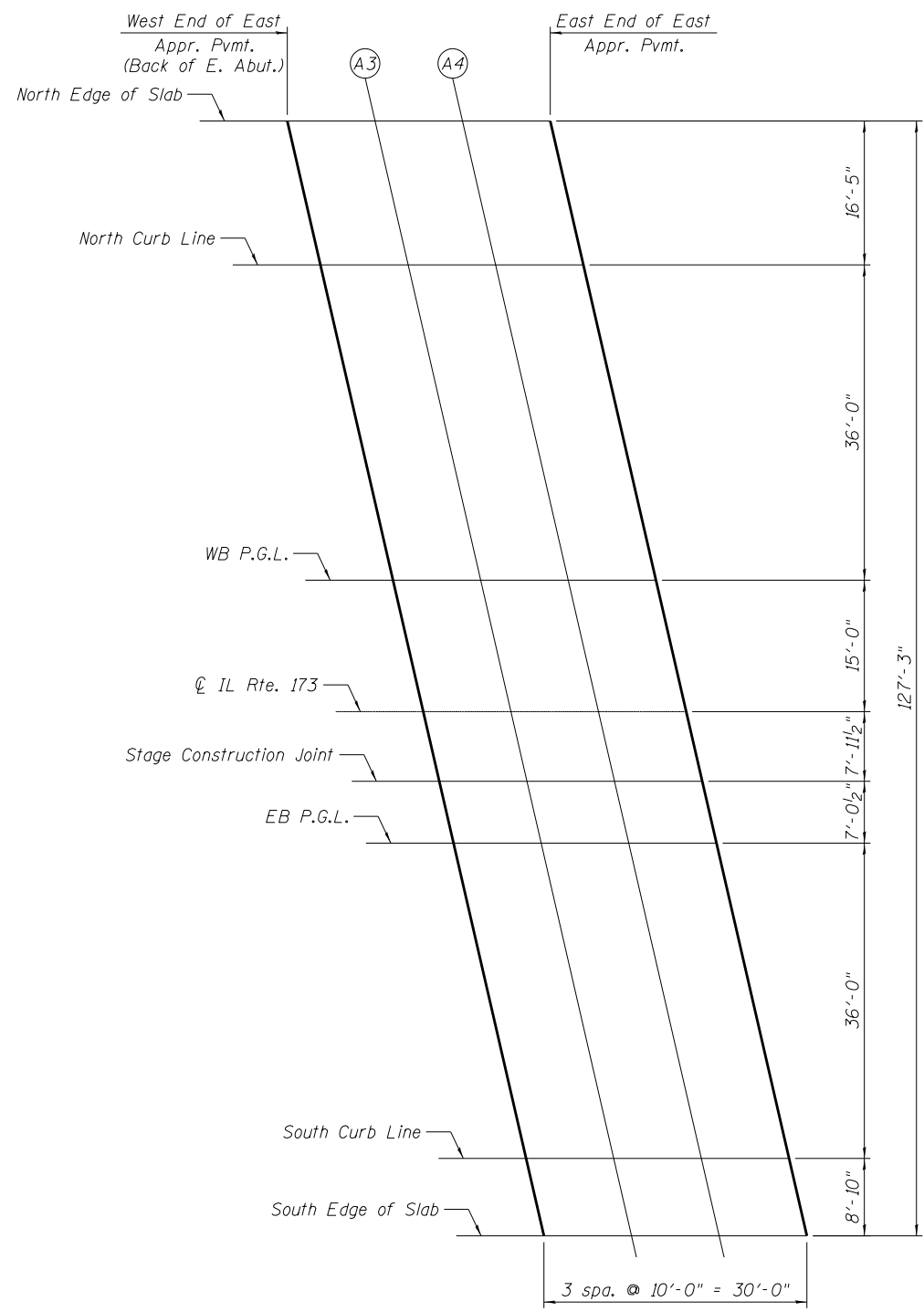


6/19/2012 11:01:48 AM S:\10105_CADD\60L77_IL_173\60L77_Sheets\0490535-60L77-02-ASE2.dgn



PLAN

NORTH EDGE OF SLAB

Location	Station	Offset	Theoretical Grade Elevations
W. end of East Appr. Pvmt.	2032+88.66	-67.42	763.87
A3	2032+98.66	-67.42	763.68
A4	2033+08.66	-67.42	763.48
E. end of East Appr. Pvmt.	2033+18.66	-67.42	763.27

EB P.G.L.

Location	Station	Offset	Theoretical Grade Elevations
W. end of East Appr. Pvmt.	2033+07.63	15.00	763.91
A3	2033+17.63	15.00	763.70
A4	2033+27.63	15.00	763.48
E. end of East Appr. Pvmt.	2033+37.63	15.00	763.26

NORTH CURB LINE

Location	Station	Offset	Theoretical Grade Elevations
W. end of East Appr. Pvmt.	2032+92.44	-51.00	763.46
A3	2033+02.44	-51.00	763.27
A4	2033+12.44	-51.00	763.06
E. end of East Appr. Pvmt.	2033+22.44	-51.00	762.85

SOUTH CURB LINE

Location	Station	Offset	Theoretical Grade Elevations
W. end of East Appr. Pvmt.	2033+15.92	51.00	762.99
A3	2033+25.92	51.00	762.77
A4	2033+35.92	51.00	762.55
E. end of East Appr. Pvmt.	2033+45.92	51.00	762.32

WB P.G.L.

Location	Station	Offset	Theoretical Grade Elevations
W. end of East Appr. Pvmt.	2033+00.73	-15.00	764.05
A3	2033+10.73	-15.00	763.85
A4	2033+20.73	-15.00	763.63
E. end of East Appr. Pvmt.	2033+30.73	-15.00	763.41

SOUTH EDGE OF SLAB*

Location	Station	Offset	Theoretical Grade Elevations
W. end of East Appr. Pvmt.	2033+17.95	59.83	762.76
A3	2033+27.95	59.83	762.54
A4	2033+37.95	59.83	762.32
E. end of East Appr. Pvmt.	2033+47.95	59.83	762.09

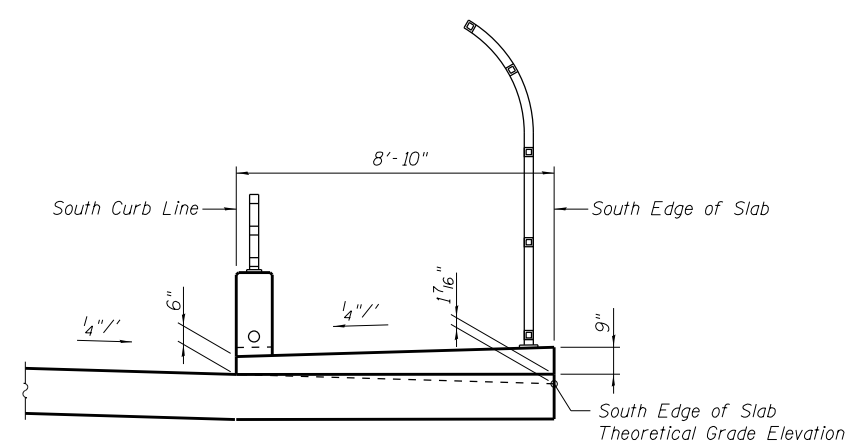
*See Section Thru Sidewalk (this sheet) for location of South Edge of Slab Theoretical Grade Elevation

CL IL RTE. 173

Location	Station	Offset	Theoretical Grade Elevations
W. end of East Appr. Pvmt.	2033+04.18	0.00	764.29
A3	2033+14.18	0.00	764.09
A4	2033+24.18	0.00	763.87
E. end of East Appr. Pvmt.	2033+34.18	0.00	763.65

STAGE CONSTRUCTION JOINT

Location	Station	Offset	Theoretical Grade Elevations
W. end of East Appr. Pvmt.	2033+06.01	7.96	764.09
A3	2033+16.01	7.96	763.88
A4	2033+26.01	7.96	763.66
E. end of East Appr. Pvmt.	2033+36.01	7.96	763.44



SECTION THRU SIDEWALK
(Looking East)

BOWMAN, BARRETT & ASSOCIATES INC.
CONSULTING ENGINEERS
Chicago, Illinois
312.228.0100
www.bbandatnc.com

USER NAME =	DESIGNED - MRM	DATE - 6/19/2012
CHECKED - TL		
PLOT SCALE =	DRAWN - LAM	REVISIED -
PLOT DATE =	CHECKED - MRM	REVISIED -

STATE OF ILLINOIS
DEPARTMENT OF TRANSPORTATION

TOP OF EAST APPROACH SLAB ELEVATIONS
STRUCTURE NO. 049-0535 (BRIDGE NO. 441)

SHEET NO. S-12 OF S-36 SHEETS

F.A.I. RTE.	SECTION	COUNTY	TOTAL SHEETS	SHEET NO.
94	49-1-R-1	LAKE	677	450
CONTRACT NO. 60L77				
ILLINOIS FED. AID PROJECT				