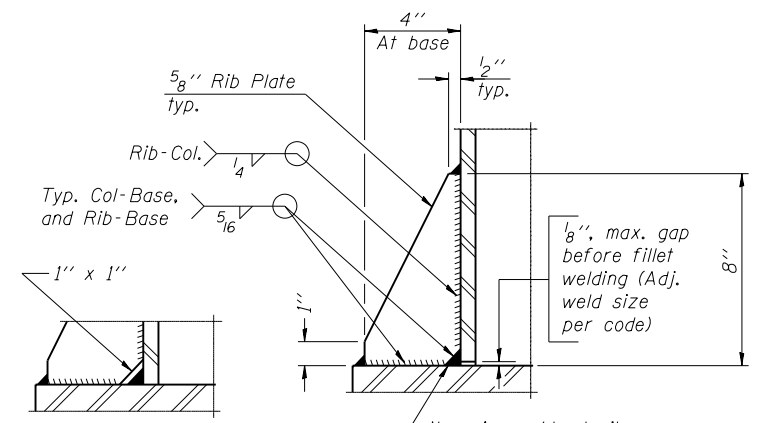
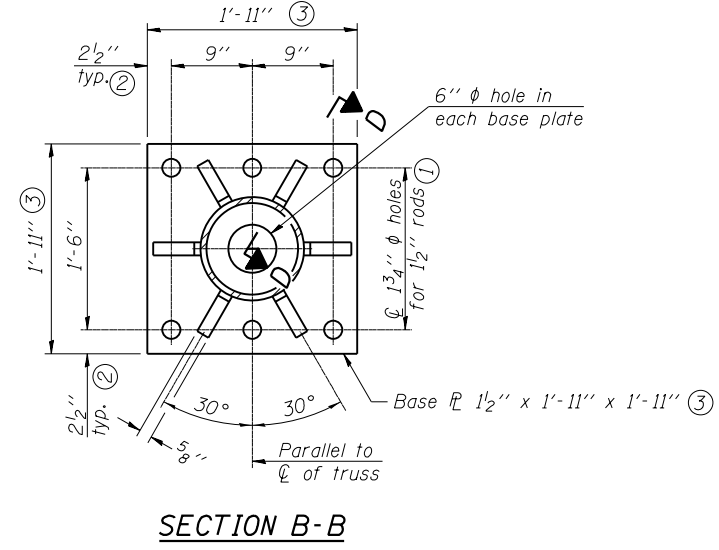
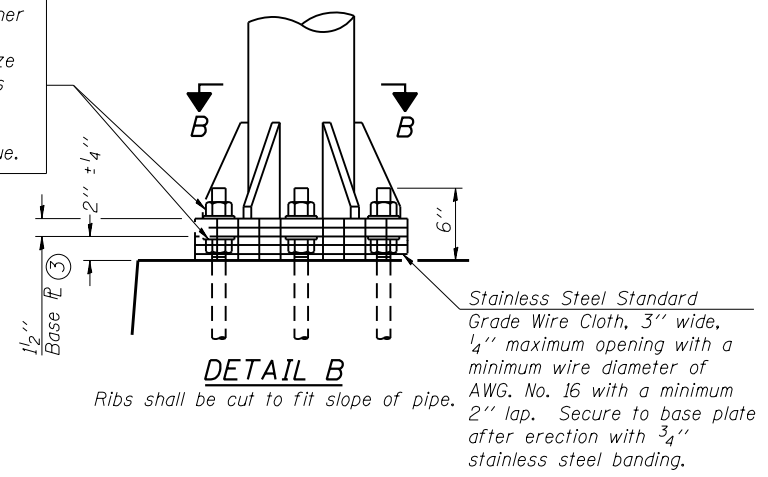
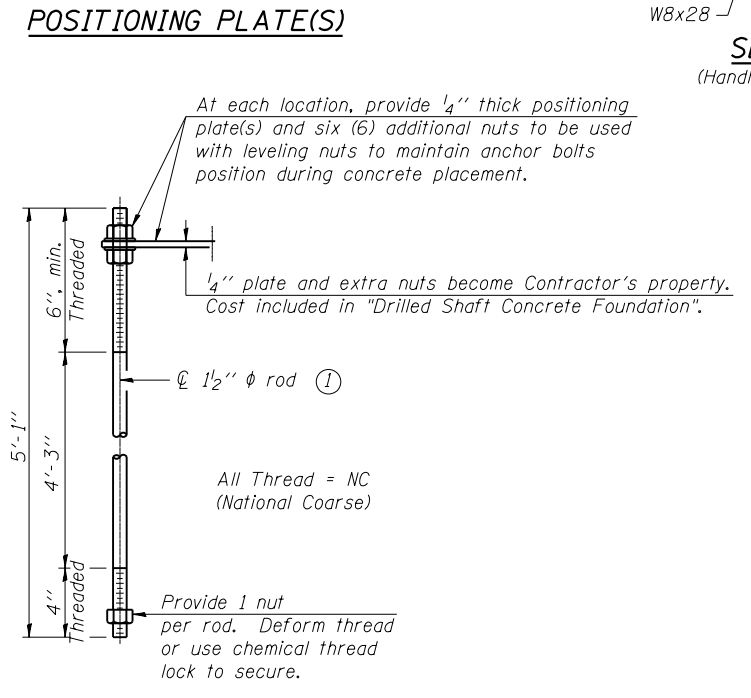
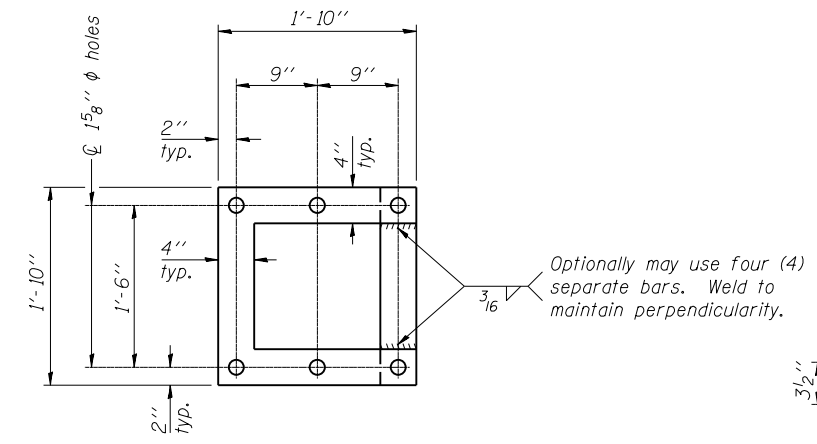


Hexagon locknut and washer (top), leveling nut and washer (bottom). Galvanize per AASHTO M232. Nuts shall each be tightened against base plate with 200 lb.-ft. minimum torque.



** Alternate detail if welding col. to base plate first, then snip inside corner of ribs. Terminate weld on rib 1/4" from snip.

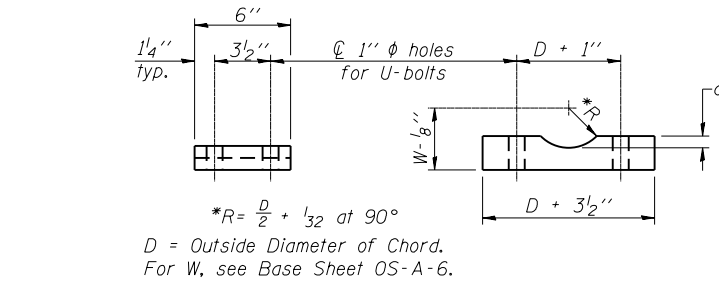
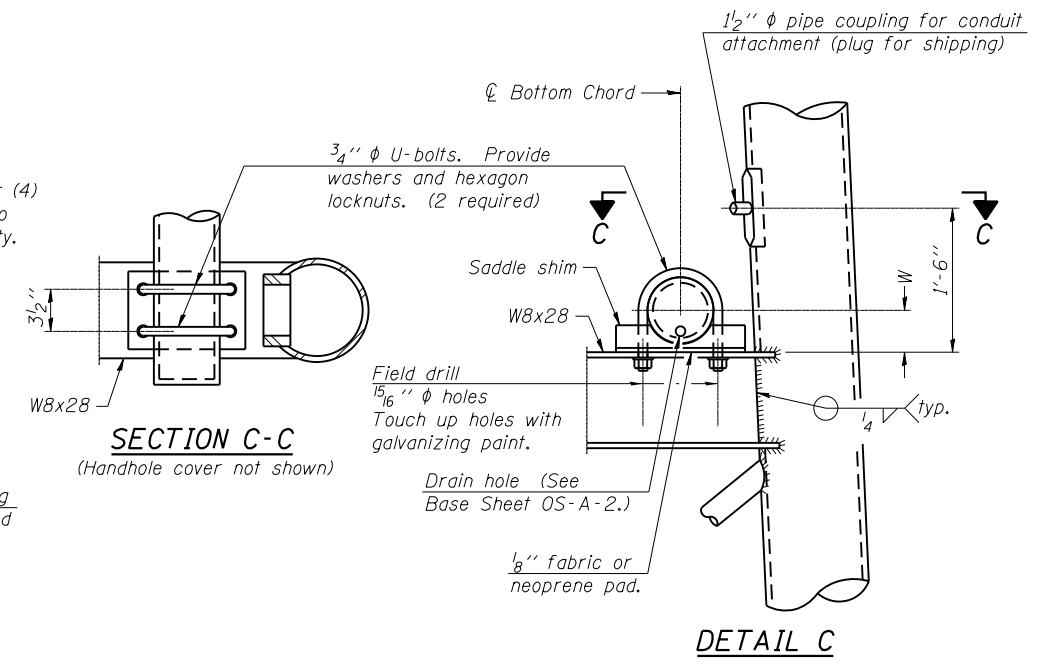


TYPE III-A TRUSS

12" ϕ PIPE SUPPORT FRAME DETAILS

Notes:
For Type III-A Truss spans greater than 150 ft. and up to 160 ft.:

- ① 1 3/4" ϕ rod, 2" ϕ holes
- ② 2 3/4" edge distance
- ③ Base Pl. 1 5/8" x 1'-11 1/2" x 1'-11 1/2"



Truss Chord Nominal Dia.	a
7"	1"
8 1/2"	1 1/4"
9"	1 3/8"

SADDLE SHIM DETAIL
ASTM B26 Alloy 356-F
or
ASTM B209 Alloy 6061-T651
(4 required per sign truss)

BOWMAN, BARRETT & ASSOCIATES INC.
CONSULTING ENGINEERS
Chicago, Illinois
312.228.0100
www.bbainc.com

OS4-A-8aA

1-20-11

FILE NAME = *FILES*	USER NAME = default	DESIGNED - TF	REVISED
		CHECKED - RGR	REVISED
	PLOT SCALE = H=1"=10' V=1"=5'	DRAWN - TF	REVISED
	PLOT DATE = 6/20/2012	CHECKED - RGR	REVISED

STATE OF ILLINOIS
DEPARTMENT OF TRANSPORTATION

OVERHEAD SIGN STRUCTURES
SUPPORT FRAME FOR TYPE III-A ALUMINUM TRUSS

F.A. RTE.	SECTION	COUNTY	TOTAL SHEETS	SHEET NO.
94	49-1-R-1	LAKE	677	300
			CONTRACT NO. 60L77	

SHEET NO. 10 OF 12 SHEETS

ILLINOIS FED. AID PROJECT

77 Sheets0160L77-snt-signstructures-details.dgn