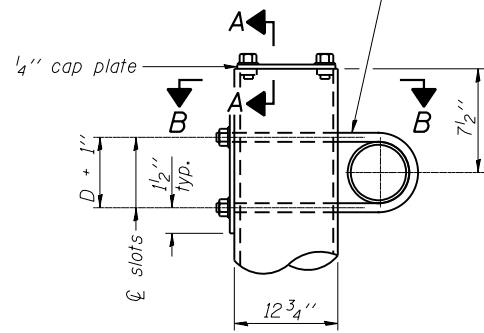
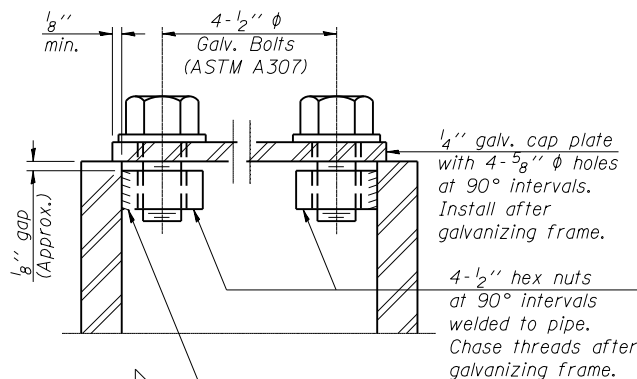


$\frac{3}{4}$ " ϕ stainless steel U-bolt.
Provide two washers and two hexagon locknuts. (4)
 $\frac{13}{16}$ " x 2" slots on ϕ 12" ϕ pipe.
(4 slots required per pipe)

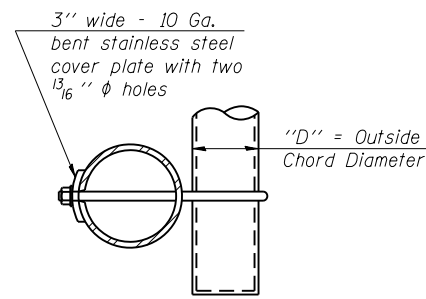


DETAIL A

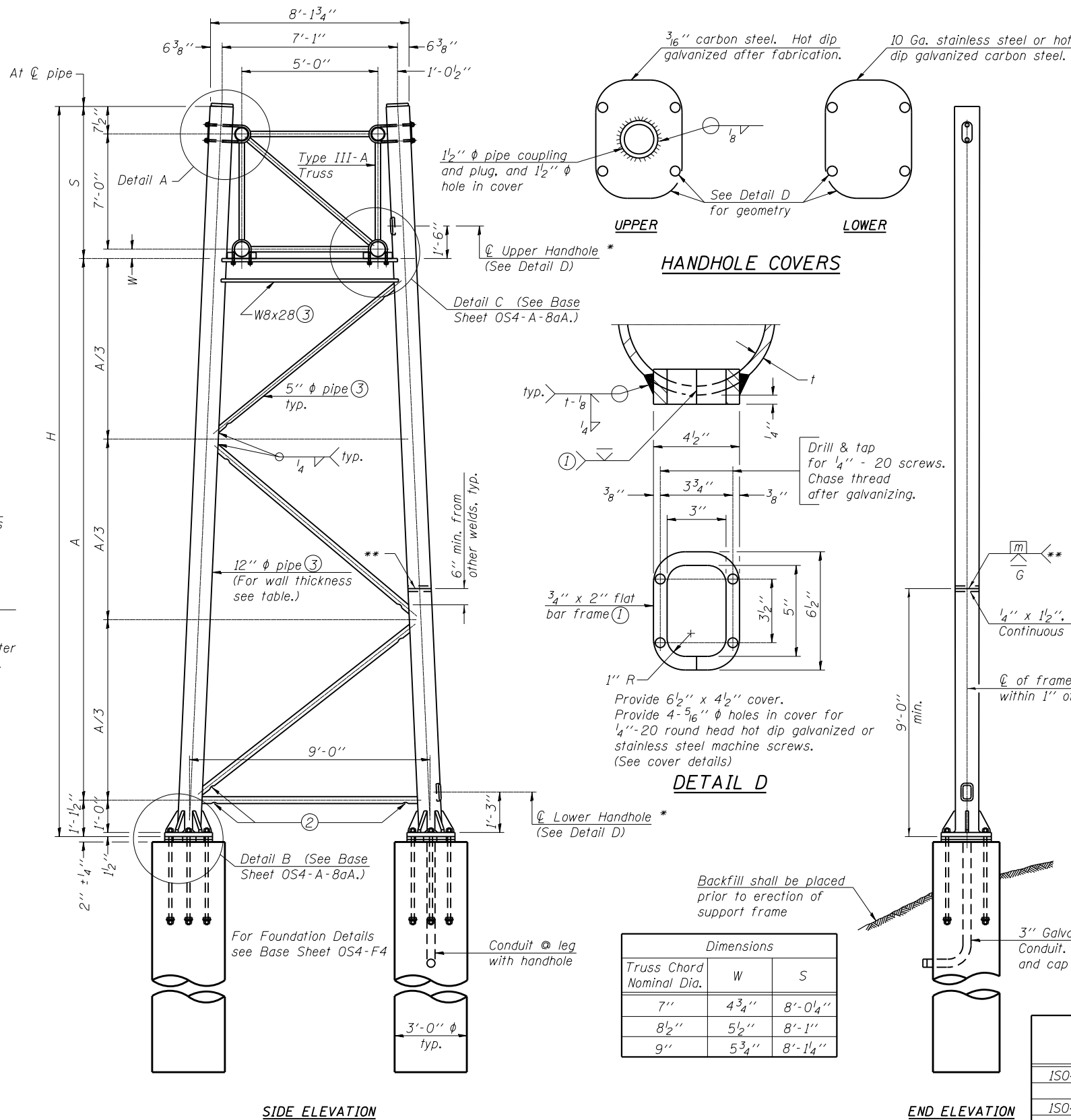


SECTION A-A

As an alternate to bolts, may use galvanized drive-fit caps installed after galvanizing frame.



SECTION B-B



SIDE ELEVATION

END ELEVATION

| Dimensions | | |
|---------------------------------|---------------------------------|------------------------------------|
| Truss Chord Nominal Dia. | W | S |
| 7" | 4 ³ / ₄ " | 8'-0 ¹ / ₄ " |
| 8 ¹ / ₂ " | 5 ¹ / ₂ " | 8'-1" |
| 9" | 5 ³ / ₄ " | 8'-1 ¹ / ₄ " |

TRUSS SUPPORT DETAILS

(12" ϕ Pipe-Type III-A Truss)

** One butt welded joint is allowed only on one post per support frame. If used, weld procedure must be pre-approved by Engineer and joint shall receive 100% RT or UT (tension criteria) at Contractor's expense.

Support Design Loads: See Base Sheet OS-A-1 for design and loading criteria.

Load combinations checked include deadload plus:
a) 100% wind normal to sign, 20% parallel to sign
b) 60% wind normal to sign, 30% parallel to sign

- ① In lieu of fabricated handhole frame as shown, may cut from 2" plate (rolling direction vertical). All cut faces to be ground to ANSI Roughness of 500 min or less.
- ② Galvanizing vent holes of adequate size shall be provided on underside at each end of bracing pipes. Alternately, holes may be provided in wall of pipe column. All vent holes shall be drilled and de-burred, typ.
- ③ Steel pipe, plate, carbon steel handhole covers and rolled sections shall be hot dip galvanized after fabrication. Painting is not permitted. See Base Sheet OS-A-1.
- ④ See General Notes for fasteners.
- ⑤ Dimensions shown are based on selection criteria in the Sign Structures Manual. Nonstandard applications must have dimensions verified or amended as appropriate.
- ⑥ "H" based on 15'-0" or actual sign height, whichever is greater.

* For dynamic message sign installations, provide upper and lower handholes in both legs of each support frame.

| Structure Number | Station | Support | | Pipe Wall Thickness | H (6) | A |
|------------------|----------|---------|-------|---------------------|--------|--------|
| | | Left | Right | | | |
| IS049I094L000.8 | 4081+75 | | | .375" | 33.42' | 24.28' |
| IS049I094R000.9 | 14076+06 | | | .375" | 30.97' | 21.83' |
| | | | | .33" | 31.39' | 22.25' |
| IS049I094R000.7 | 14085+14 | | | .33" | 30.97' | 21.83' |
| | | | | .33" | 32.53' | 23.39' |

OS4-A-8a

1-20-11

BOWMAN, BARRETT & ASSOCIATES INC.
CONSULTING ENGINEERS
Chicago, Illinois
312.228.0100
www.bbainc.com

| | | | |
|---------------------|---------------------|---------------|-----------|
| FILE NAME = *FILES* | USER NAME = default | DESIGNED - TF | REVISIONS |
| | | CHECKED - RGR | REVISIONS |
| | | DRAWN - TF | REVISIONS |
| | | CHECKED - RGR | REVISIONS |

STATE OF ILLINOIS
DEPARTMENT OF TRANSPORTATION

OVERHEAD SIGN STRUCTURES - SUPPORT FRAME
FOR TYPE III-A ALUMINUM TRUSS

SHEET NO. 9 OF 12 SHEETS

| | | | | |
|---------------------------|----------|--------|--------------|-----------|
| F.A. RTE. | SECTION | COUNTY | TOTAL SHEETS | SHEET NO. |
| 94 | 49-1-R-1 | LAKE | 677 | 299 |
| CONTRACT NO. 60L77 | | | | |
| ILLINOIS FED. AID PROJECT | | | | |

Sheets\0160L77-snt-signstructures-details.dgn