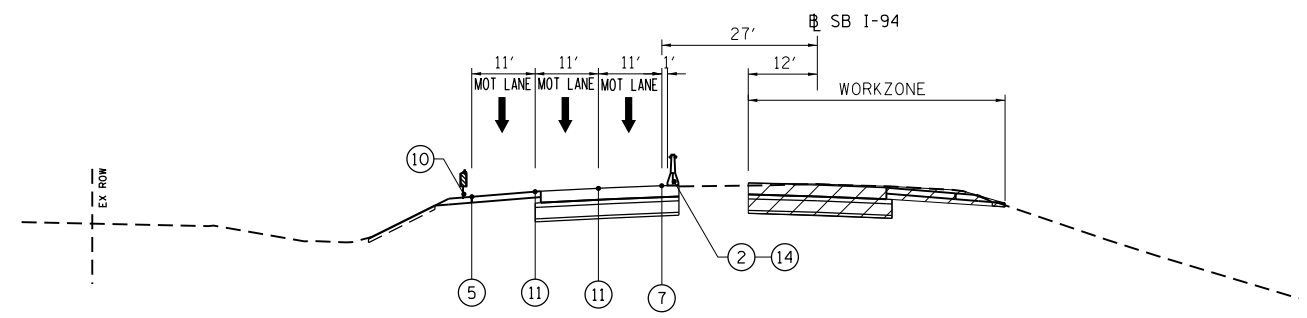
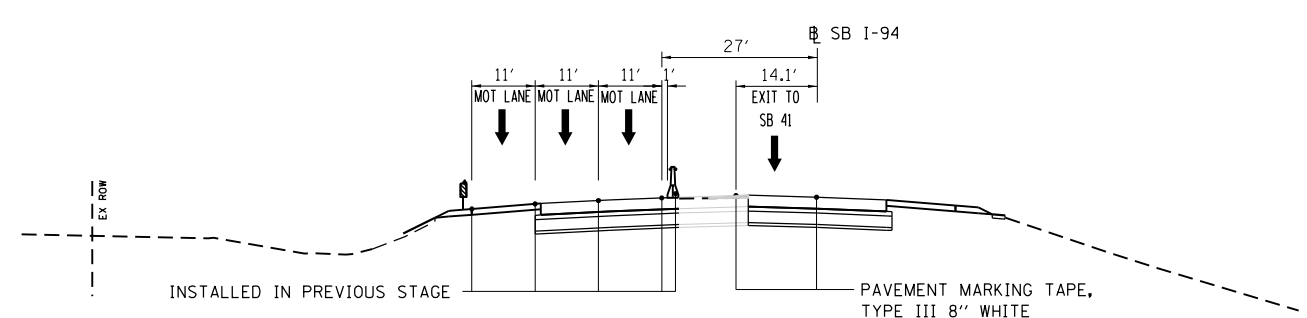


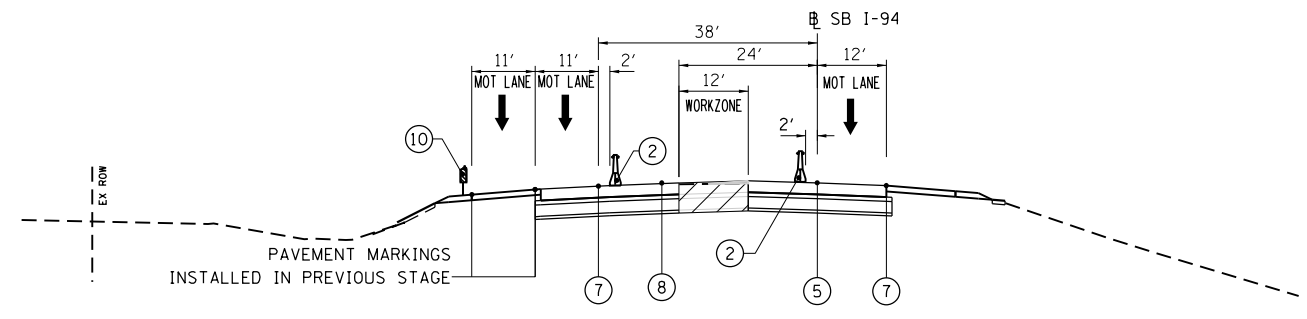
SB I 94 STAGE 1A AND 1B
SECTION g-g
LOOKING IN INCREASING STATION



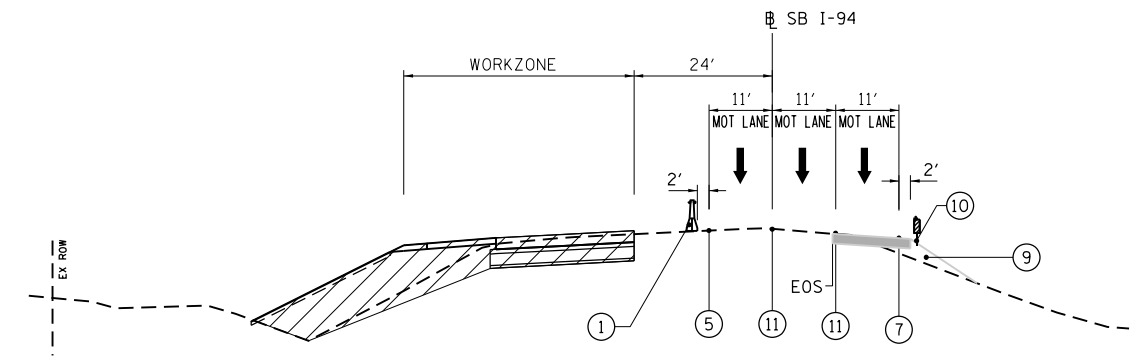
SB I 94 STAGE 2A
SECTION g-g
LOOKING IN INCREASING STATION



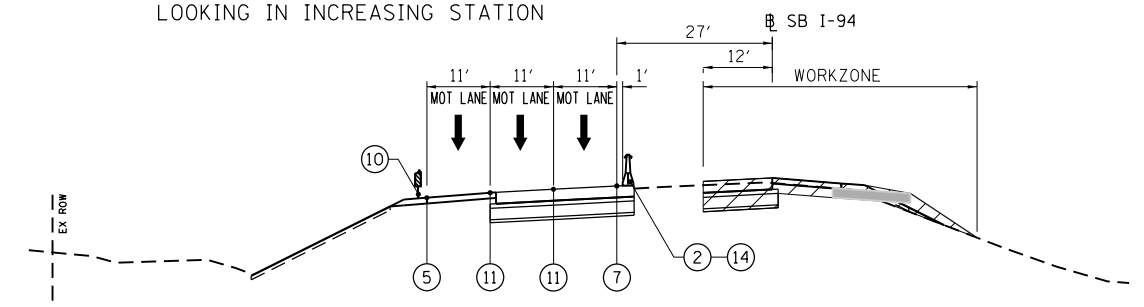
SB I 94 STAGE 2B
SECTION g-g
LOOKING IN INCREASING STATION



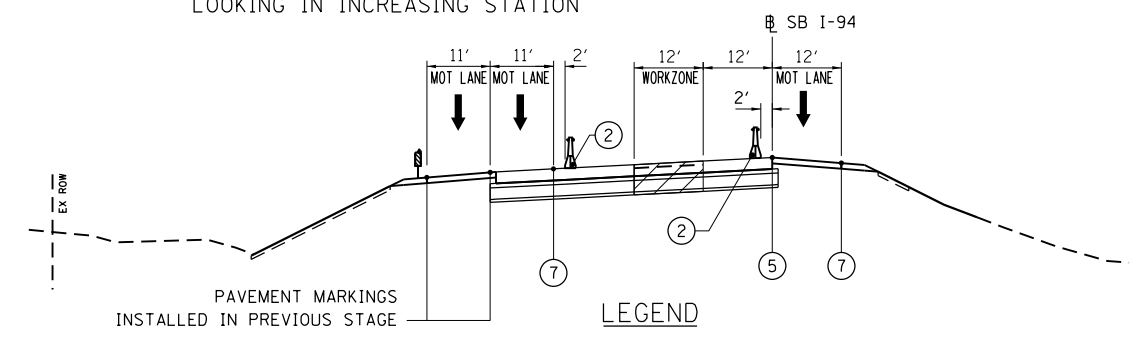
SB I 94 STAGE 3
SECTION g-g
LOOKING IN INCREASING STATION



SB I 94 STAGE 1A AND 1B
SECTION h-h
LOOKING IN INCREASING STATION



SB I 94 STAGE 2A AND 2B
SECTION h-h
LOOKING IN INCREASING STATION



SB I 94 STAGE 3
SECTION h-h
LOOKING IN INCREASING STATION

- LEGEND**
- ① TEMPORARY CONCRETE BARRIER WITH BARRIER WALL MARKERS, TYPE C
 - ② RELOCATE TEMPORARY CONCRETE BARRIER
 - ③ DRUMS AT 50'C-C WITH BIDIRECTIONAL STEADY BURN LIGHTS
 - ④ PAVEMENT MARKING REMOVAL
 - ⑤ PAVEMENT MARKING TAPE, TYPE III 4" WHITE
 - ⑥ PAVEMENT MARKING TAPE, TYPE III 4" YELLOW, DOUBLE LINE
 - ⑦ PAVEMENT MARKING TAPE, TYPE III 4" YELLOW
 - ⑧ WORK ZONE PAVEMENT MARKING REMOVAL
 - ⑨ EMBANKMENT
 - ⑩ VERTICAL PANELS WITH BIDIRECTIONAL STEADY BURN LIGHTS
 - ⑪ PAVEMENT MARKING TAPE, TYPE III 5" WHITE, 10' DASH 30' SKIP
 - ⑫ PAVEMENT MARKING TAPE, TYPE III 4" WHITE, 25' DASH 25' SKIP
 - ⑬ PAVEMENT MARKING TAPE, TYPE III 4" WHITE, 2' DASH 6' SKIP
 - ⑭ TEMPORARY PAVEMENT MARKING-LINE 6"
- TEMPORARY PAVEMENT
TEMP PAVT (INTERSTATE) (HMA BINDER IL-19.0mm), 10"
HMA SURFACE COURSE, MIX "D", N70 (IL 9.5mm), 2"
- 🚧 LANE CLOSED TO TRAFFIC

BOWMAN, BARRETT & ASSOCIATES INC.
CONSULTING ENGINEERS
Chicago, Illinois
312.228.0100
www.bbandainc.com

FILE NAME = \$FILES\$	USER NAME = default	DESIGNED -	REVISED -
		DRAWN - RA	REVISED -
		CHECKED - RGR	REVISED -
		DATE - 6/28/2012	REVISED -

STATE OF ILLINOIS
DEPARTMENT OF TRANSPORTATION

SCALE: NA		SHEET NO. 3 OF 7 SHEETS		STA. NA TO STA. NA	
-----------	--	-------------------------	--	--------------------	--

F.A. RTE.	SECTION	COUNTY	TOTAL SHEETS	SHEET NO.
94	49-1-R-1	LAKE	677	101
CONTRACT NO. 60L77				
ILLINOIS FED. AID PROJECT				

S:\1101\95-CADD\60L77 IL 175\60L77 Sheets\1101\95-CADD\60L77-INT-MOT-typrisel.dgn