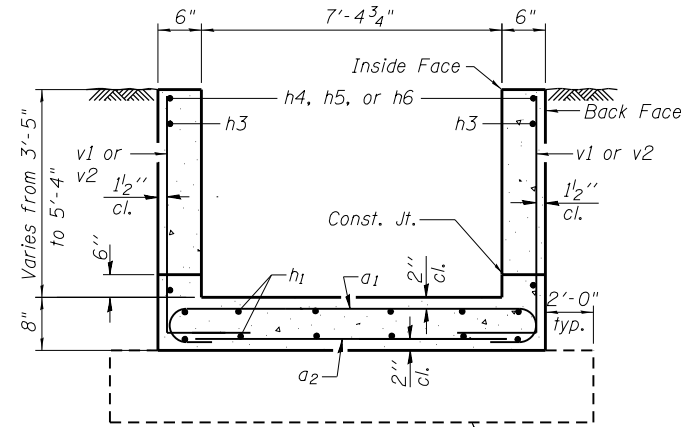


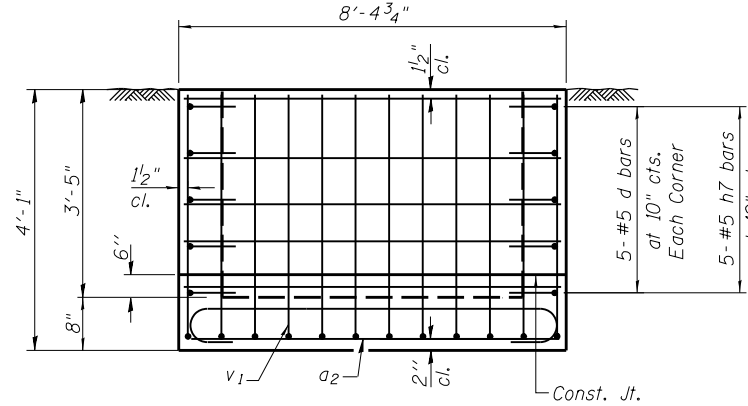
SECTION A-A

Limits of Removal & Disposal of Unsuitable Material for Structures

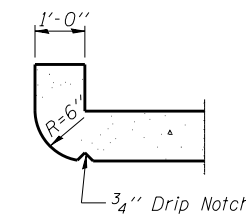


SECTION B-B

Limits of Removal & Disposal of Unsuitable Material for Structures



VIEW C-C

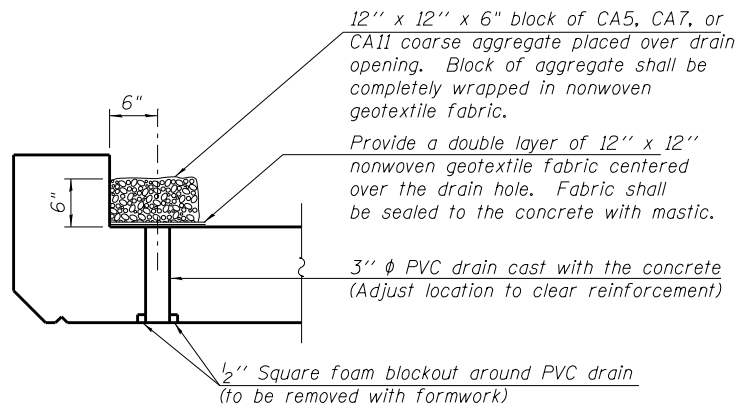


SECTION THRU HEADWALL

(Up Stream End Only)

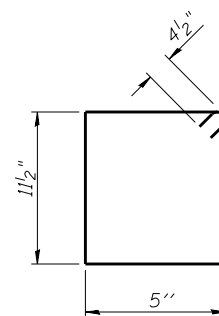
BILL OF MATERIAL
(For Information Only)

Bar	No.	Size	Length	Shape
a ₁	75	#6	9'-0"	
a ₂	32	#4	7'-8"	
a ₃	12	#6	8'-0"	
d	10	#5	2'-0"	
h	10	#6	7'-5"	
h ₁	12	#5	23'-4"	
h ₂	8	#5	7'-4"	
h ₃	8	#5	18'-4"	
h ₄	2	#5	8'-10"	
h ₅	2	#5	6'-9"	
h ₆	2	#5	10'-3"	
h ₇	5	#5	8'-0"	
h ₈	16	#6	2'-3"	
h ₉	4	#5	2'-1"	
s	8	#4	4'-0"	
s ₁	16	#4	3'-6"	
v	28	#4	5'-7"	
v ₁	34	#4	4'-10"	
v ₂	11	#4	11'-6"	
DESCRIPTION		UNIT	QTY.	
Concrete Box Culverts		Cu. Yd.	10.5	
Reinforcement Bars		Pound	2,480	

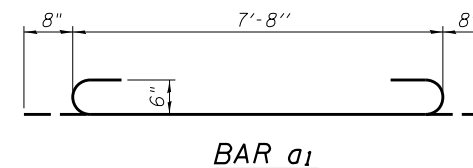


DRAIN DETAIL

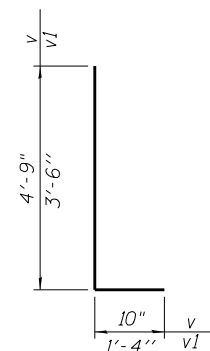
(All costs associated with furnishing and constructing the above drain details will not be measured for payment but shall be included in the contract unit price for the end section.)



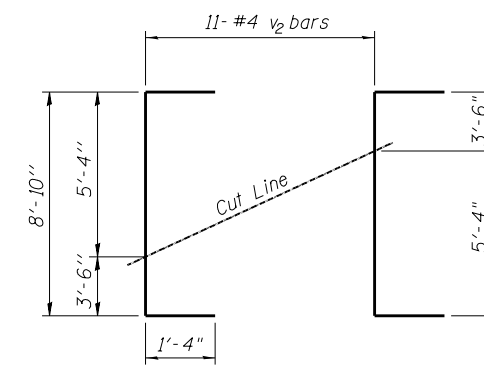
BAR s₁



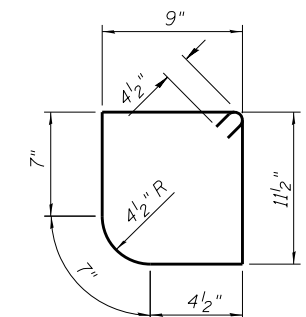
BAR a₁



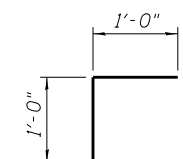
BARS v & v₁



BAR v₂ FIELD CUTTING DIAGRAM



BAR s



BAR d

FILE NAME = W:\Projects\2010\100120 PTB 157\25\cadd\Structural\Drawings\92 Culverts\Station983+68.69\Final Submittal 13.03.2010.dgn