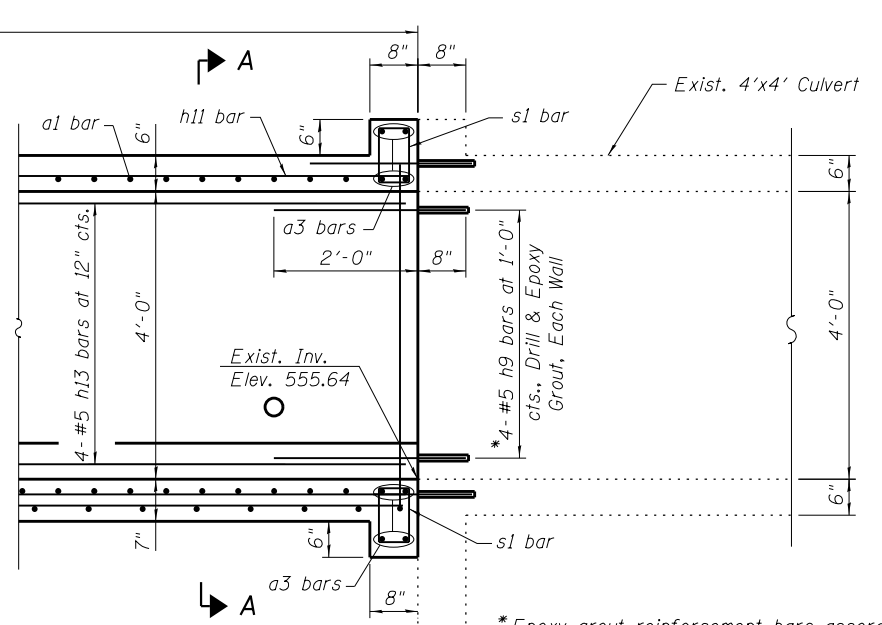


**LONG. SECTION**

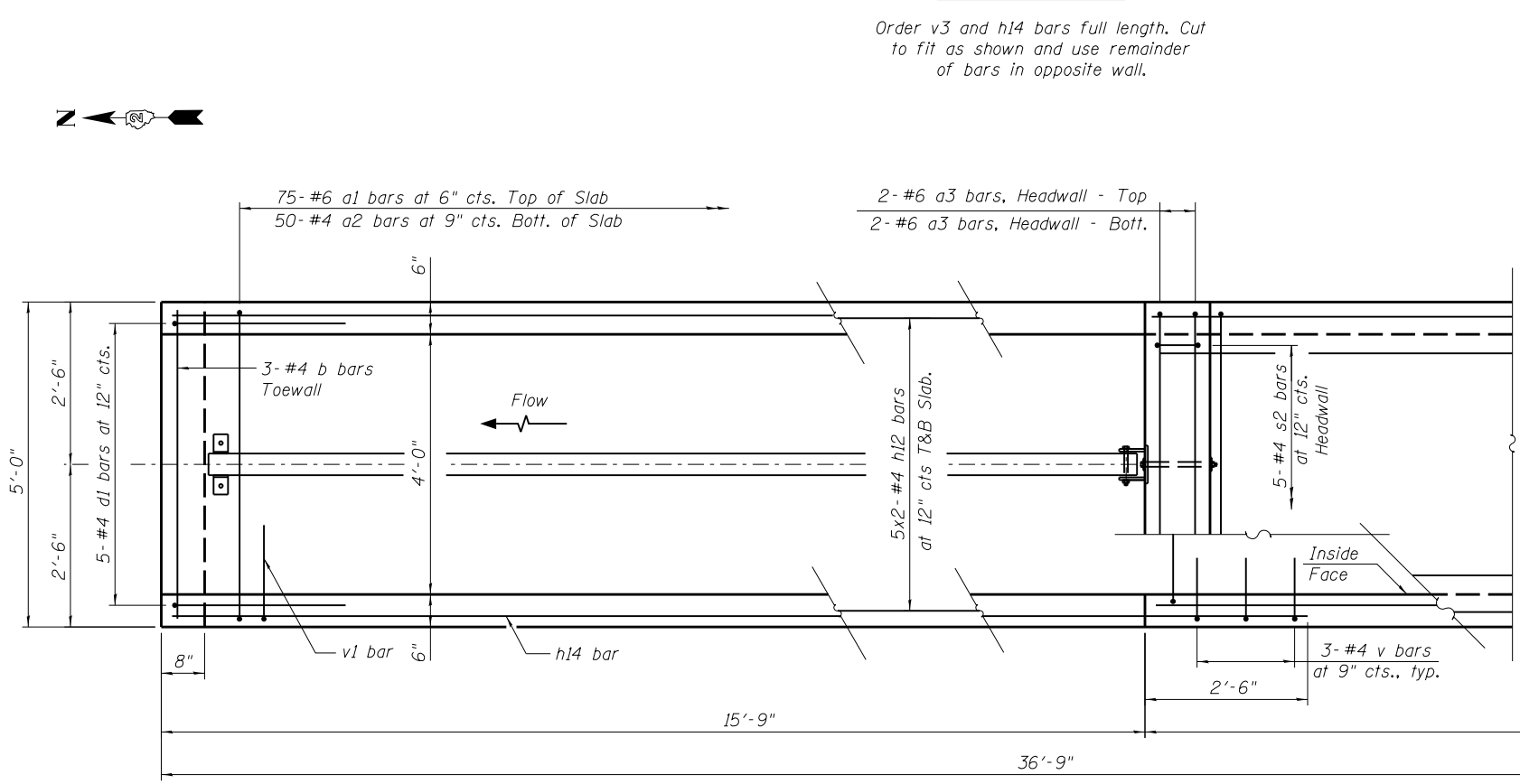
Order v3 and h14 bars full length. Cut to fit as shown and use remainder of bars in opposite wall.



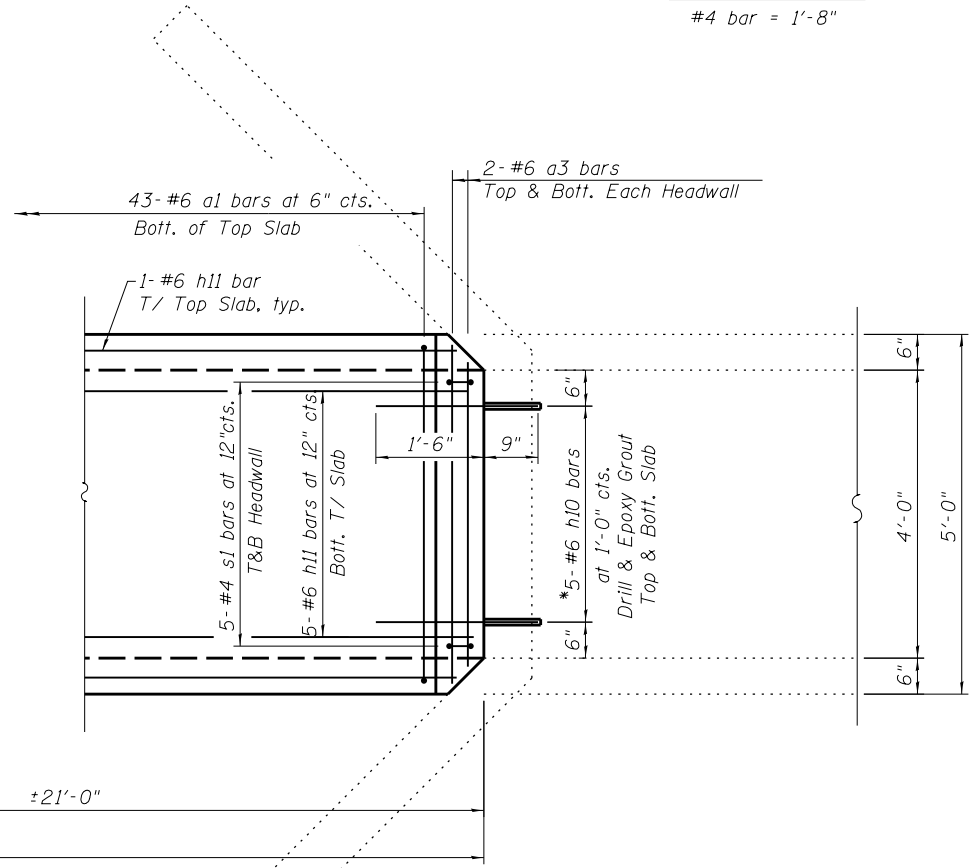
**MIN. BAR LAP**

#4 bar = 1'-8"

\*Epoxy grout reinforcement bars according to the requirements of Section 584 of the Standard Specifications. Chemical adhesive system shall be capable of achieving a minimum proof load of 5,000 lb. Cost included in the pay item Box Culvert End Sections, Culvert No. 12.



**PLAN**



FILE NAME = W:\Projects\2010\100120 PTB 157\25\cadd\Structural\Drawn\03 IL 92 Culverts\Station\960+23.08\Final Submittal 13.0320\960+23.08-64H1-005-Culvert End.dgn  
 WILLS BURKE KELSEY ASSOCIATES LTD.  
 116 West Main Street, Suite 201  
 St. Charles, Illinois 60174

USER NAME = hferstl	DESIGNED - AEU	REVISED -
PLOT SCALE =	CHECKED - DLS	REVISED -
PLOT DATE = 3/20/2013	DRAWN - AH	REVISED -
	CHECKED - AEU	REVISED -

**STATE OF ILLINOIS  
DEPARTMENT OF TRANSPORTATION**

**BOX CULVERT END SECTION  
STA. 960 + 23.08 LT.**

SHEET NO. 5 OF 7 SHEETS

F.A.P. RTE.	SECTION	COUNTY	TOTAL SHEETS	SHEET NO.
599	(83MFT & 103MFT)W	ROCK ISLAND	340	196
FED. ROAD DIST. NO.			ILLINOIS FED. AID PROJECT	

CONTRACT NO. 64H11