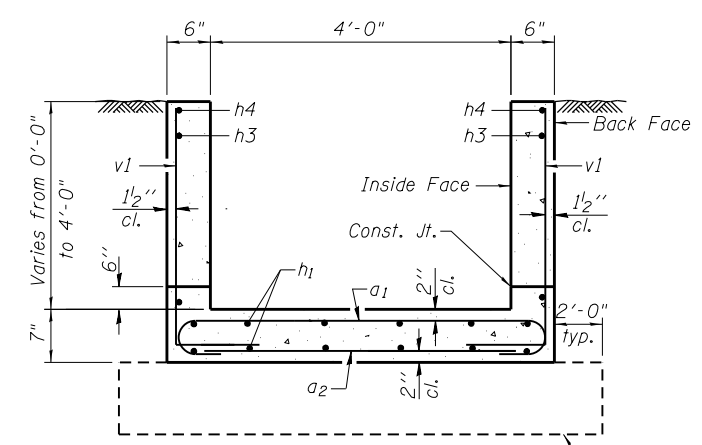
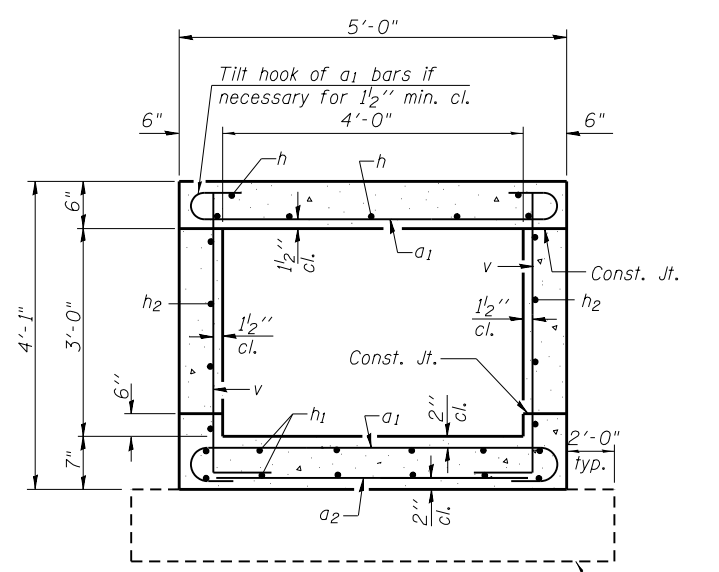
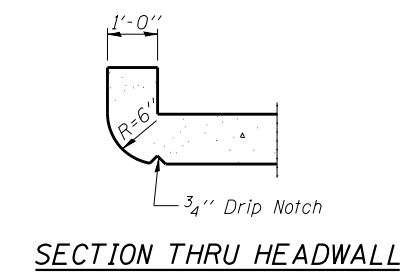


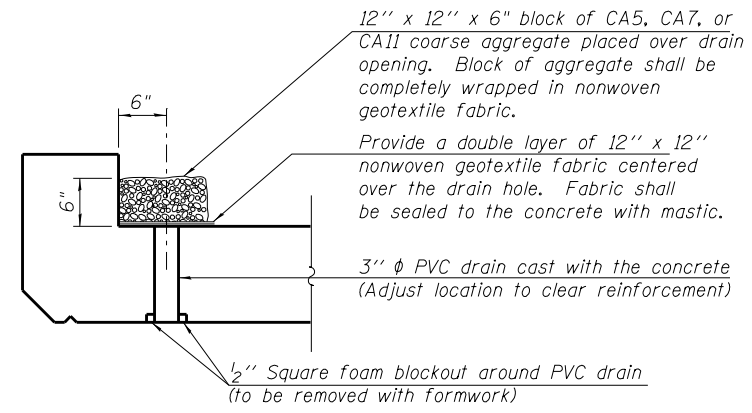
BILL OF MATERIAL
(For Information Only)

Bar	No.	Size	Length	Shape
a ₁	43	#6	6'-0"	
a ₂	23	#4	4'-8"	
a ₃	12	#6	4'-8"	
b	3	#4	4'-8"	
d ₁	5	#4	5'-4"	
h	7	#6	4'-5"	
h ₁	10	#4	16'-6"	
h ₂	6	#5	4'-7"	
h ₃	4	#5	18'-2"	
h ₄	2	#5	12'-4"	
h ₅	6	#5	2'-8"	
h ₆	8	#6	2'-3"	
s	5	#4	3'-9"	
s ₁	10	#4	3'-1"	
v	22	#4	4'-7"	
v ₁	17	#4	7'-8"	
DESCRIPTION			UNIT	QTY.
Concrete Box Culverts			Cu. Yd.	4.2
Reinforcement Bars			Pound	1,090

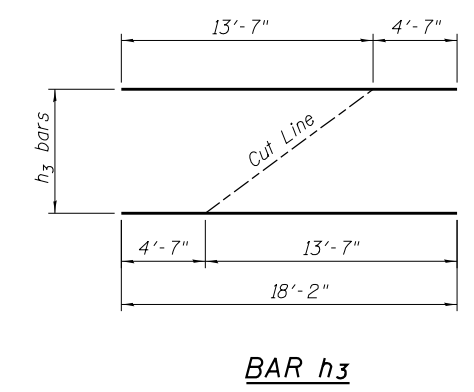
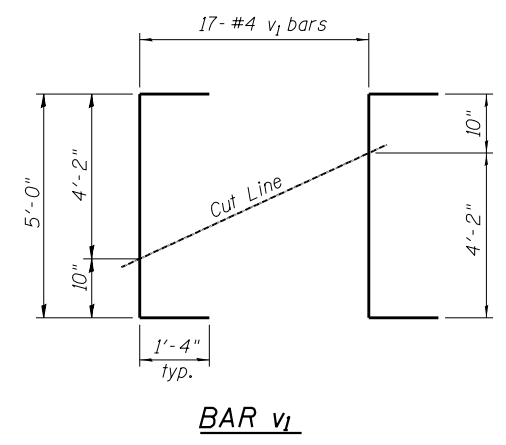
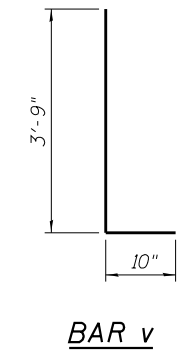
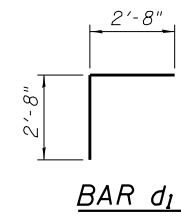
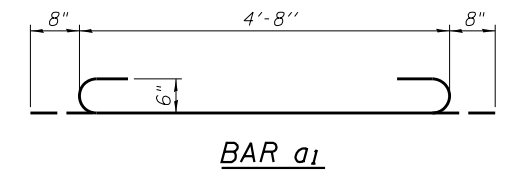
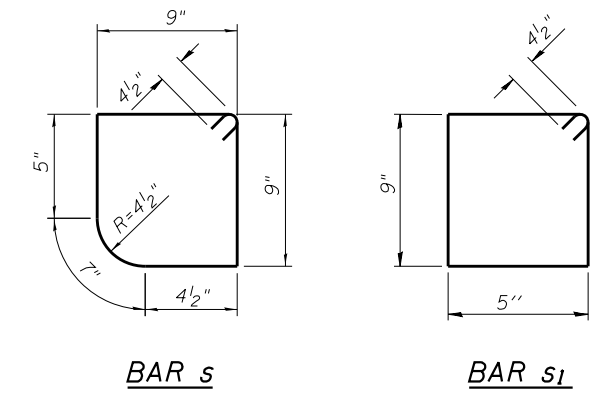


SECTION A-A Limits of Removal & Disposal of Unsuitable Material

SECTION B-B Limits of Removal & Disposal of Unsuitable Material



(All costs associated with furnishing and constructing the above drain details will not be measured for payment but shall be included in the contract unit price for the end section.)



FILE NAME = W:\Projects\2010\10120 PTB 157\25\cadd\Structural\Drawn\03 IL 92 Culverts\Station937+98.45\Final_Submittal_13.0320\937+98.45-64H1-003-Culv_Extension_Details_Rt.dgn