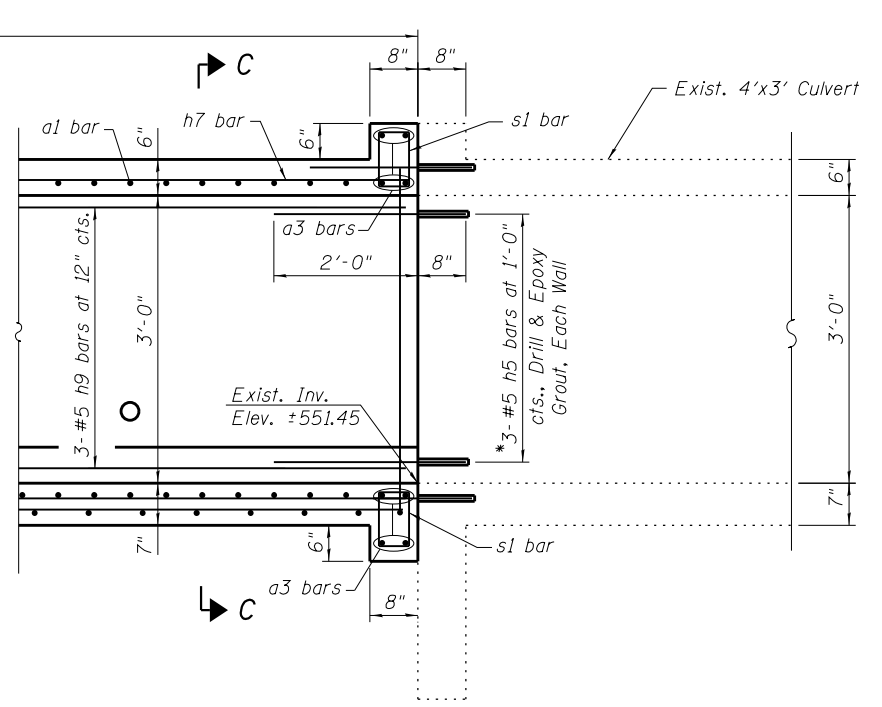
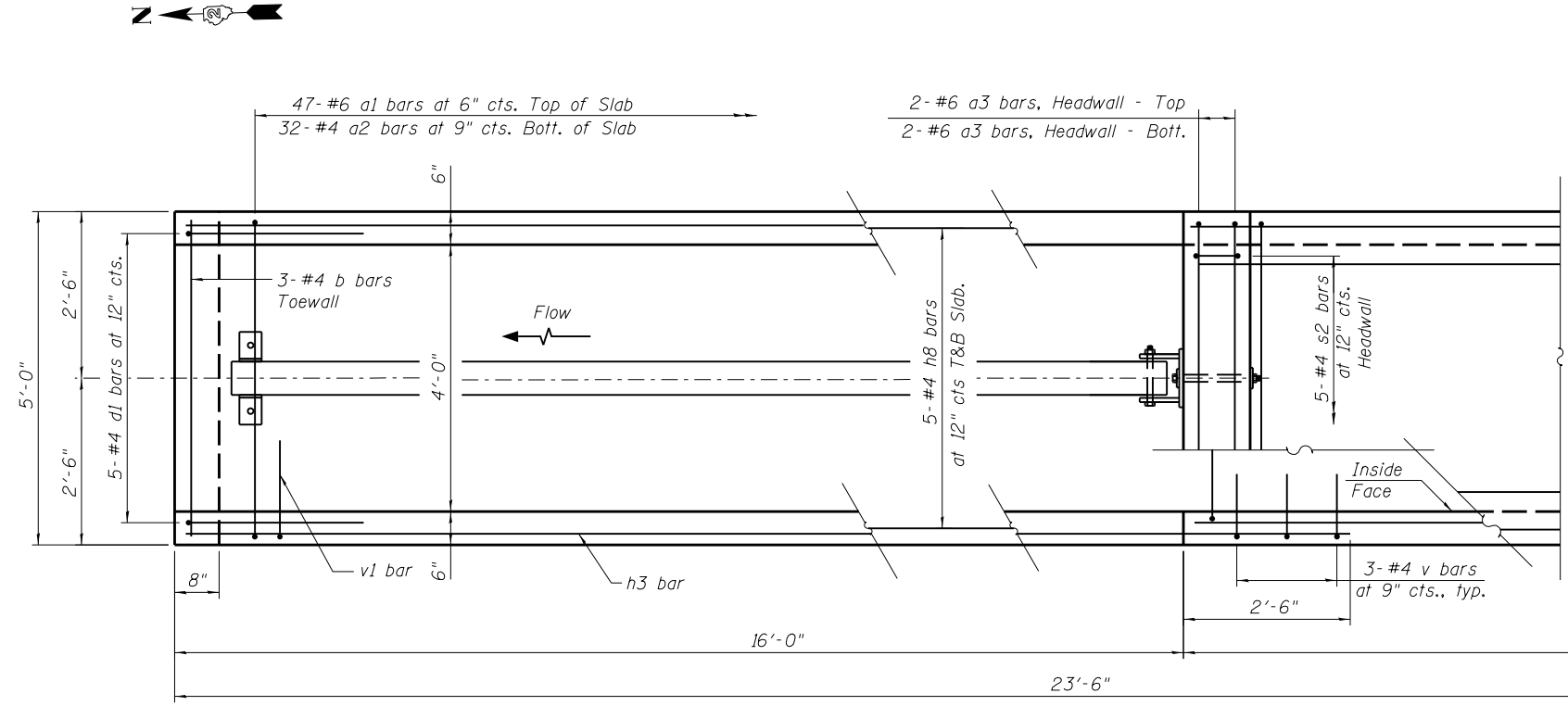


**LONG SECTION**

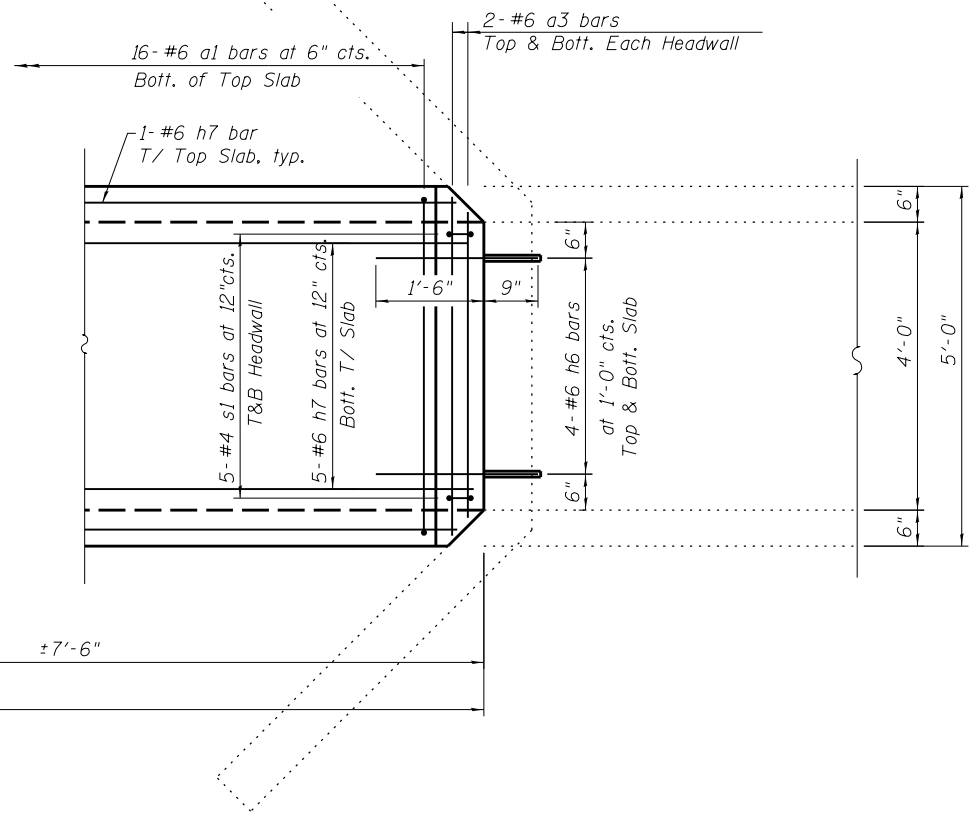
Order v1 and h3 bars full length. Cut to fit as shown and use remainder of bars in opposite wall.



\*Epoxy grout reinforcement bars according to the requirements of Section 584 of the Standard Specifications. Chemical adhesive system shall be capable of achieving a minimum proof load of 5,000 lb. Cost included in the pay item Box Culvert End Sections, Culvert No. 08.



**PLAN**



FILE NAME = W:\Projects\2010\100120 PTB 157\25\cadd\Structural\Drawn\03 IL 92 Culverts\Station925+59.49\Final Submittal\130320\925+59.49-64H1-003-Culvert-Ext.Lt.dgn  
 WILLS BURKE KELSEY ASSOCIATES LTD.  
 116 West Main Street, Suite 201  
 St. Charles, Illinois 60174

USER NAME = hferstl	DESIGNED - AEU	REVISED -
PLOT SCALE =	CHECKED - DLS	REVISED -
PLOT DATE = 3/20/2013	DRAWN - AH	REVISED -
	CHECKED - AEU	REVISED -

**STATE OF ILLINOIS  
DEPARTMENT OF TRANSPORTATION**

**BOX CULVERT END SECTION  
STA. 925 + 59.49 LT.**

SHEET NO. 3 OF 5 SHEETS

F.A.P. RTE.	SECTION	COUNTY	TOTAL SHEETS	SHEET NO.
599	(83MFT & 103MFT)W	ROCK ISLAND	340	182
FED. ROAD DIST. NO.			ILLINOIS FED. AID PROJECT	

CONTRACT NO. 64H11