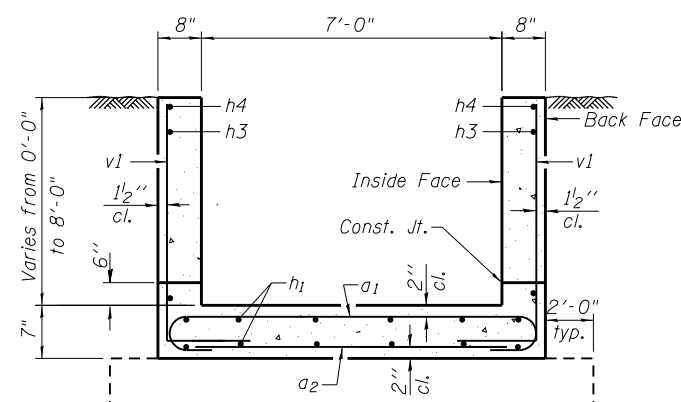


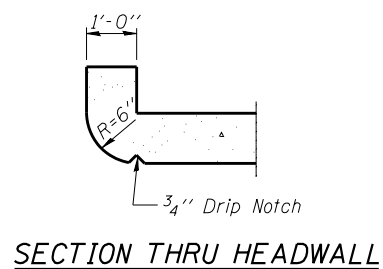
SECTION A-A

Limits of Removal & Disposal of Unsuitable Material for Structures

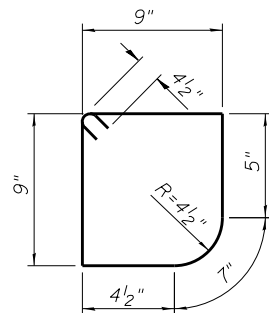


SECTION B-B

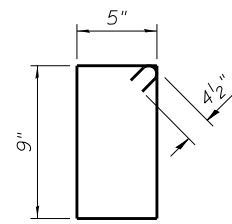
Limits of Removal & Disposal of Unsuitable Material for Structures



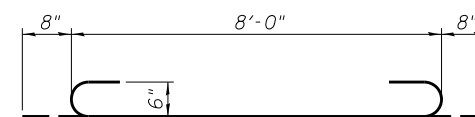
SECTION THRU HEADWALL



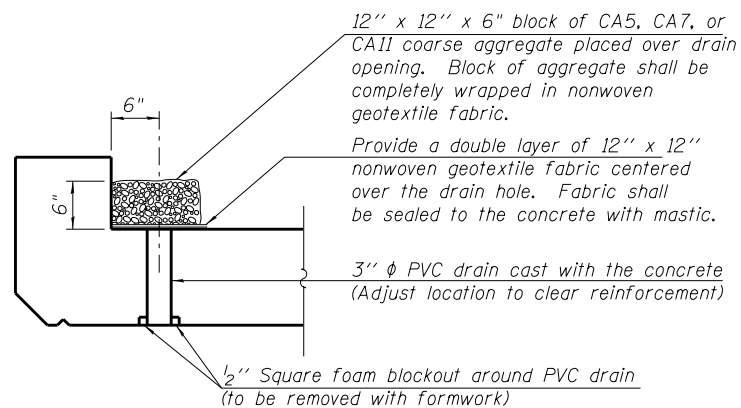
BAR s



BAR s1

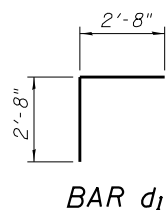


BAR a1

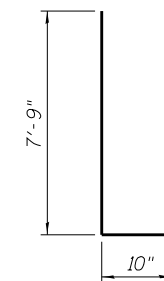


DRAIN DETAIL

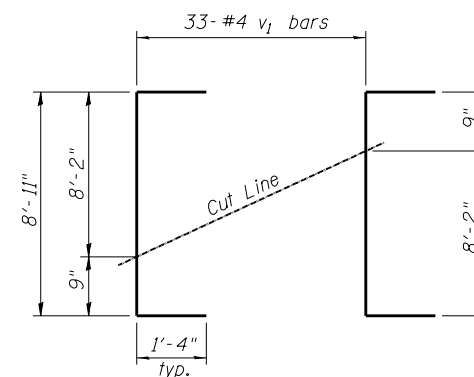
(All costs associated with furnishing and constructing the above drain details will not be measured for payment but shall be included in the contract unit price for the end section.)



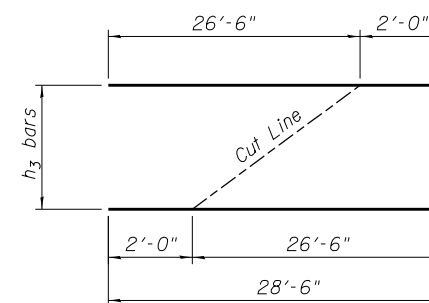
BAR d1



BAR v



BAR v1



BAR h3

BILL OF MATERIAL
(For Information Only)

Bar	No.	Size	Length	Shape
a ₁	64	#6	9'-4"	
a ₂	37	#4	8'-0"	
a ₃	8	#6	8'-0"	
b	3	#4	8'-0"	
d ₁	9	#4	5'-4"	
h	10	#6	3'-3"	
h ₁	18	#4	27'-10"	
h ₂	16	#5	3'-4"	
h ₃	8	#5	28'-6"	
h ₄	2	#5	25'-3"	
h ₅	16	#5	2'-8"	
h ₆	16	#6	2'-3"	
s	8	#4	3'-9"	
s ₁	16	#4	3'-1"	
v	18	#4	8'-7"	
v ₁	33	#4	11'-7"	
DESCRIPTION		UNIT	QTY.	
Concrete Box Culverts		Cu. Yd.	12.5	
Reinforcement Bars		Pound	2,480	

FILE NAME = W:\Projects\2010\100120 PTB 157\25\cadd\Structural\Drawn\03 IL 92 Culverts\Station900+34.74\Final_Submittal_13.0320_900+34.74_64H1-003-Culv_Extension_Details.dgn