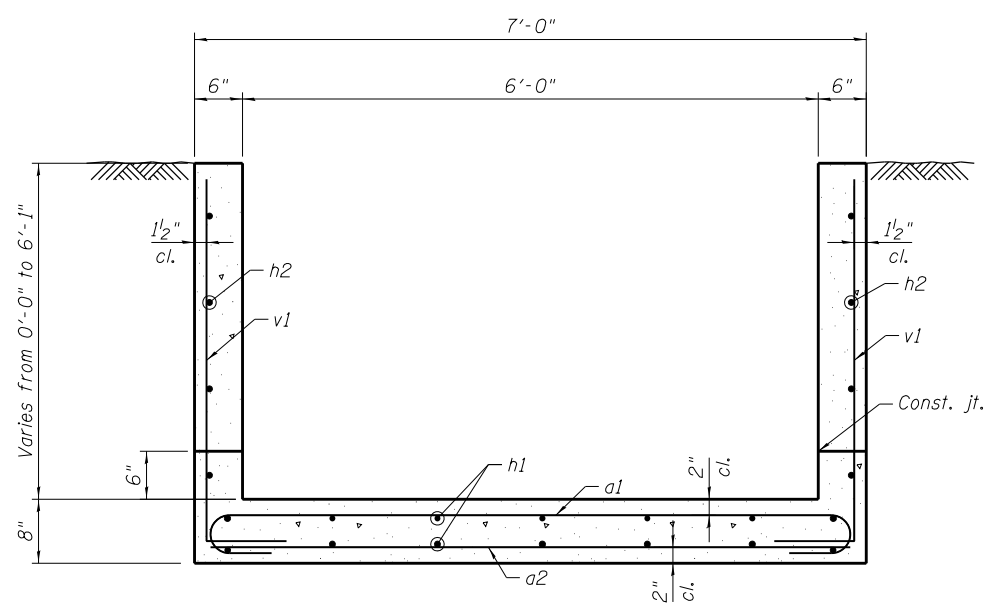
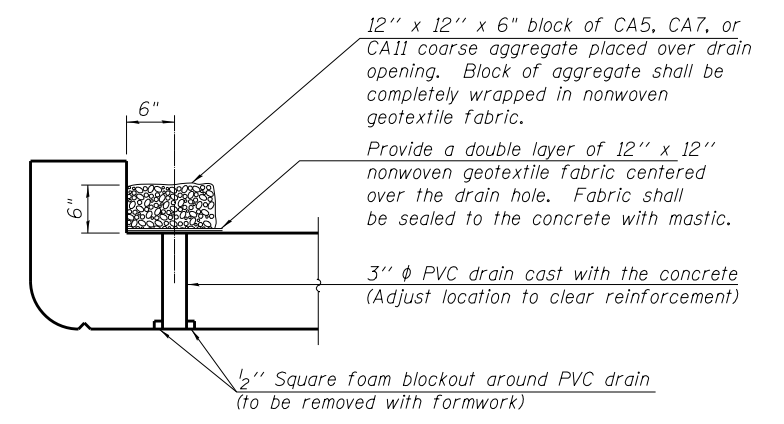


SECTION A-A

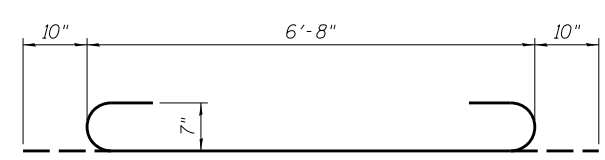


SECTION B-B

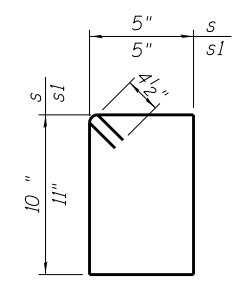


DRAIN DETAIL

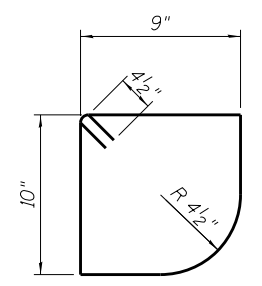
(All costs associated with furnishing and constructing the above drain details will not be measured for payment but shall be included in the contract unit price for the end section.)



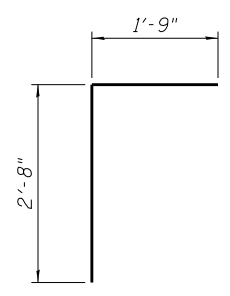
BAR a1



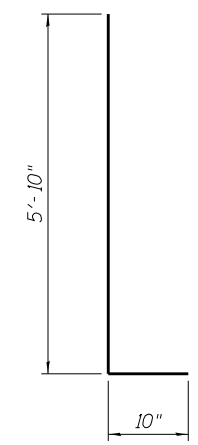
BARS s & s1



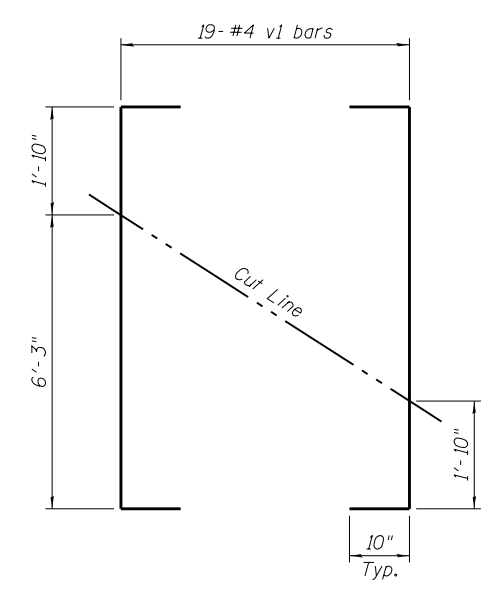
BAR s2



BAR d



BAR v



CUTTING DIAGRAM

Order bars full length. Cut as shown and use remainder of bars in opposite wall.

BILL OF MATERIAL  
(For Information Only)

Bar	No.	Size	Length	Shape
a1	44	#7	8'-4"	
a2	33	#4	6'-8"	
d	8	#4	4'-5"	
h	9	#7	4'-0"	
h1	14	#4	22'-5"	
h2	12	#5	20'-9"	
h3	12	#6	6'-8"	
h4	2	#5	17'-9"	
h5	10	#5	2'-8"	
h6	10	#6	2'-3"	
s	7	#4	3'-3"	
s1	7	#4	3'-5"	
s2	8	#4	3'-9"	
v	20	#4	6'-8"	
v1	19	#4	9'-9"	

Description	Unit	Quantity
Concrete Box Culverts	Cu. Yd.	8.1
Reinforcement Bars	Pound	1,950

FILE NAME = W:\Projects\2010\100120 PTB 157\25\cadd\Structural\Drawn\03 IL 92 Culverts\Station866+20.95\Final\_Submittal\_13.032010\866+20.95-64H1-003-ExtensionDetail.dgn