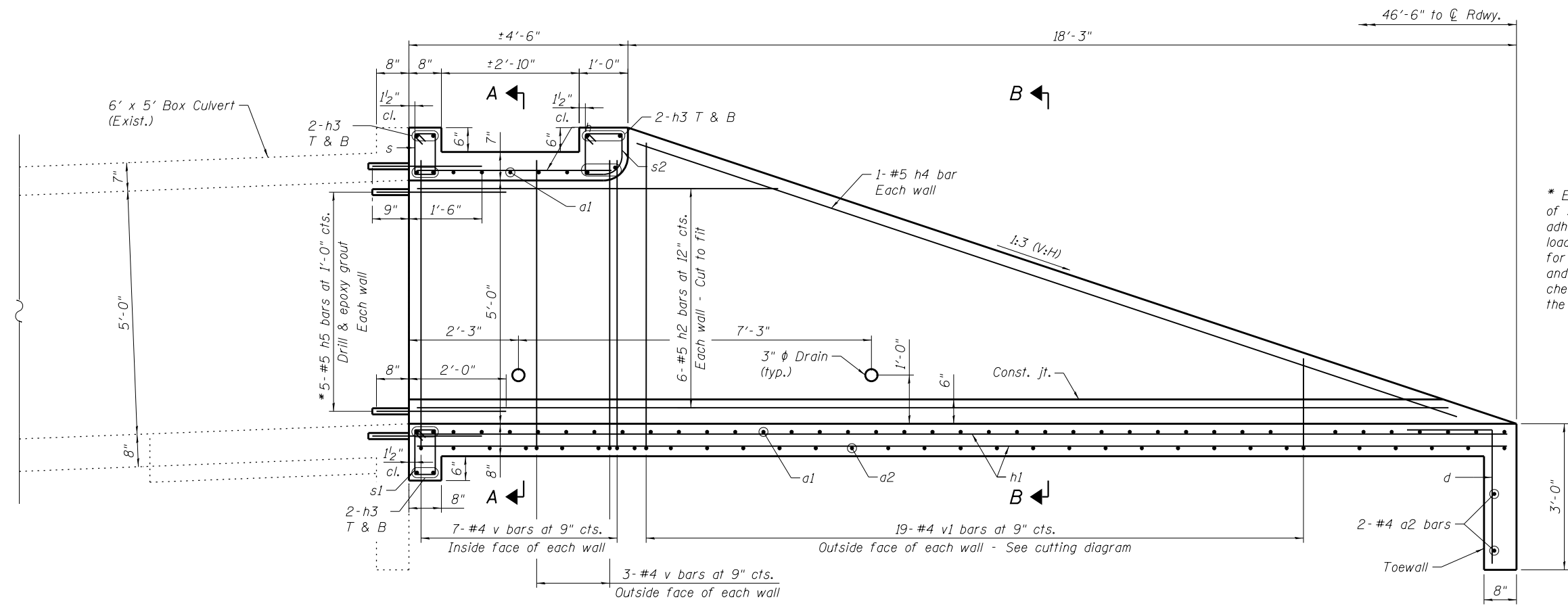
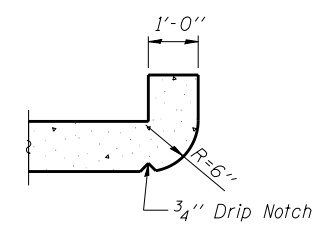


FILE NAME = W:\Projects\2010\101220 PTB 157\25\cadd\Structural\Drawn\03 IL 92 Culverts\Station866+20.95\Final Submittal\13.0320\866+20.95-64H1-002-Grate.dwg
 WILLS BURKE KELSEY ASSOCIATES LTD.
 116 West Main Street, Suite 201
 St. Charles, Illinois 60174

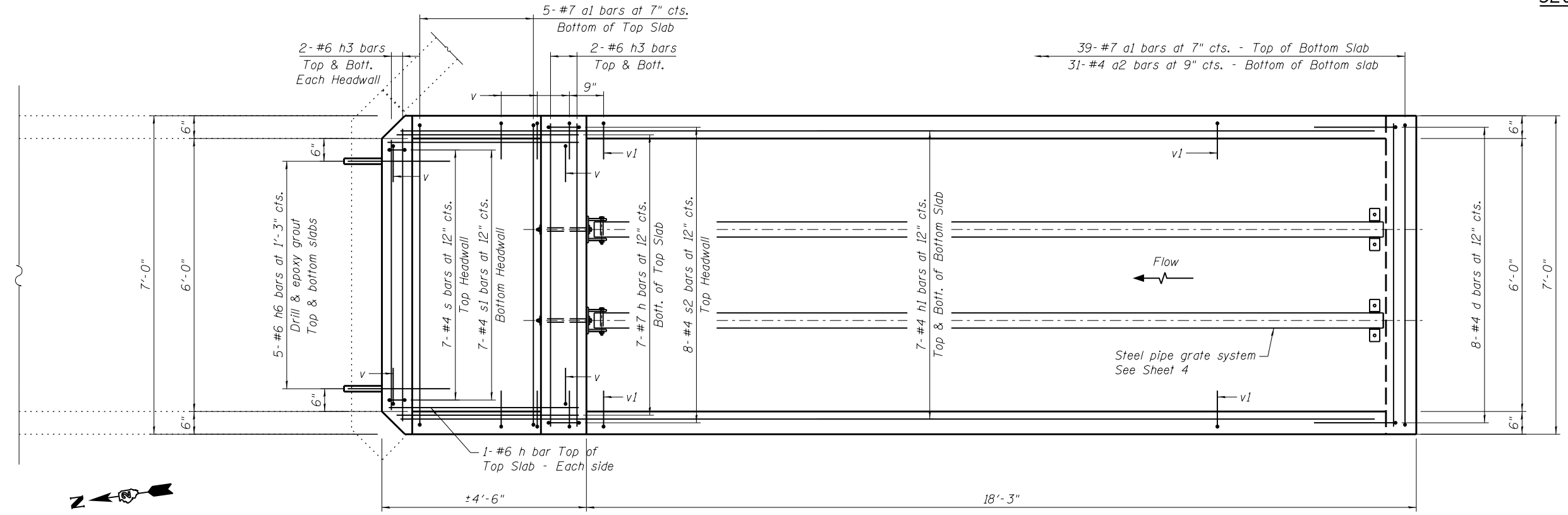


* Epoxy grout reinforcement bars according to the requirements of Section 584 of the Standard Specifications. The chemical adhesive system shall be capable of achieving a minimum proof load of 5,000 lb. A depth of embedment of 9" has been assumed for the #6 bars and 8" for the #5 bars to determine bar lengths and quantities. The actual depth will be dependent on the selected chemical adhesive and approval of the Engineer. Cost included in the pay item Box Culvert End Sections, Culvert No. 04.



LONGITUDINAL SECTION

SECTION THRU HEADWALL
(Up Stream End Only)



PLAN



USER NAME = hferstl	DESIGNED - DLS	REVISED -
PLOT SCALE =	CHECKED - AEU	REVISED -
PLOT DATE = 3/20/2013	DRAWN - DLS	REVISED -
	CHECKED - AEU	REVISED -

STATE OF ILLINOIS
DEPARTMENT OF TRANSPORTATION

BOX CULVERT END SECTION - STA. 866 + 20.95 RT.
STRUCTURE NO. 081-1054

SHEET NO. 2 OF 6 SHEETS

F.A.P. RTE. 599	SECTION (83MFT & 103MFT)W	COUNTY ROCK ISLAND	TOTAL SHEETS 340	SHEET NO. 154
FED. ROAD DIST. NO. ILLINOIS FED. AID PROJECT			CONTRACT NO. 64H11	