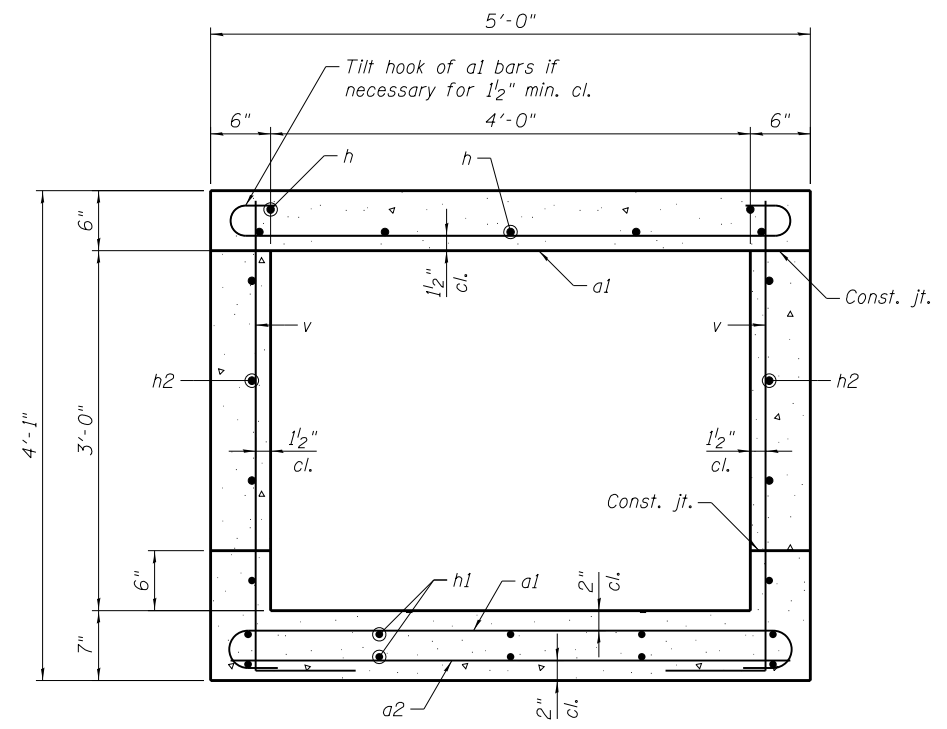
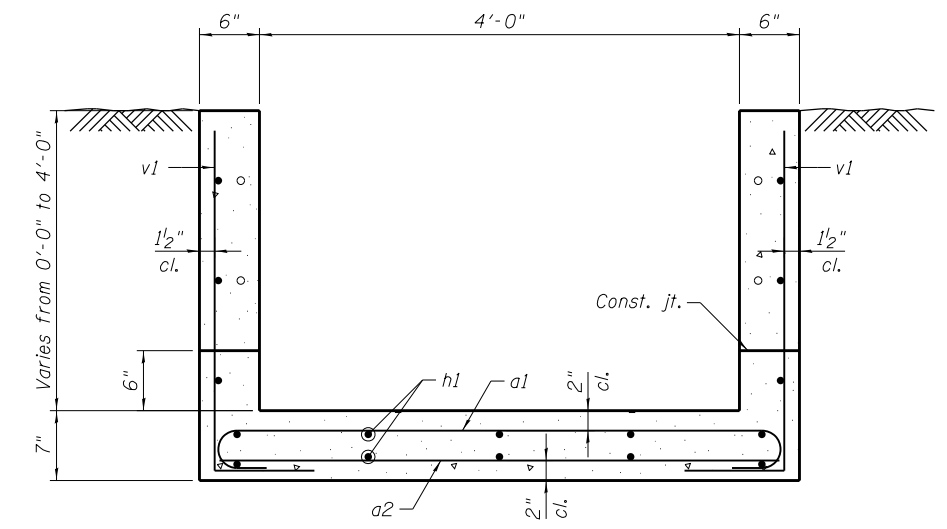


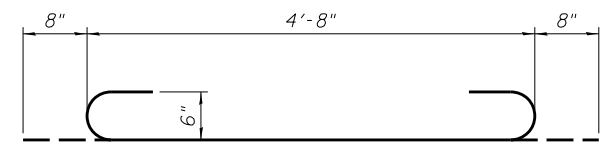
FILE NAME = W:\Projects\2010\100120 PTB 157\25\cadd\Structural\Drawn\03 IL 92 Culverts\Station857+06.10\Final\_Submit\01\_13\_0320\857+06.10-64H11-0003-ExtensionDetail.dgn



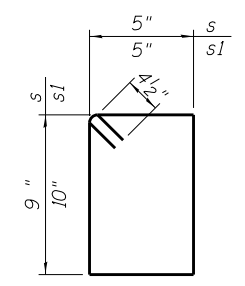
**SECTION A-A**



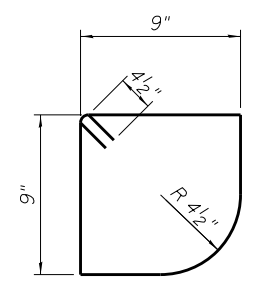
**SECTION B-B**



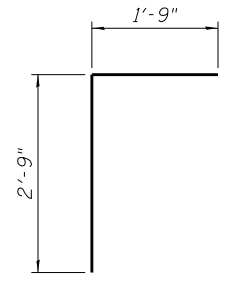
**BAR a1**



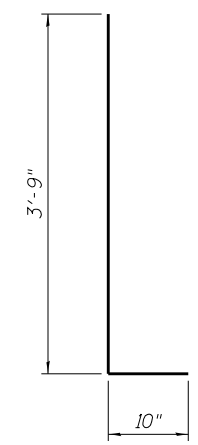
**BARS s & s1**



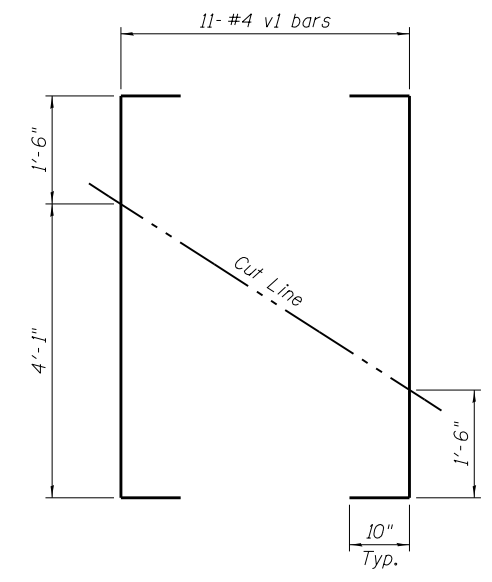
**BAR s2**



**BAR d**



**BAR v**



**CUTTING DIAGRAM**

Order bars full length. Cut as shown and use remainder of bars in opposite wall.

**BILL OF MATERIAL**  
(For Information Only)

Bar	No.	Size	Length	Shape
a1	48	#6	6'-0"	
a2	27	#4	4'-8"	
d	6	#4	4'-6"	
h	7	#6	6'-9"	
h1	10	#4	18'-10"	
h2	8	#5	17'-7"	
h3	12	#6	4'-8"	
h4	2	#5	9'-6"	
h5	6	#5	2'-8"	
h6	8	#6	2'-3"	
s	5	#4	3'-1"	
s1	5	#4	3'-3"	
s2	6	#4	3'-7"	
v	26	#4	4'-7"	
v1	11	#4	7'-3"	

Description	Unit	Quantity
Concrete Box Culverts	Cu. Yd.	5.0
Reinforcement Bars	Pound	1,200