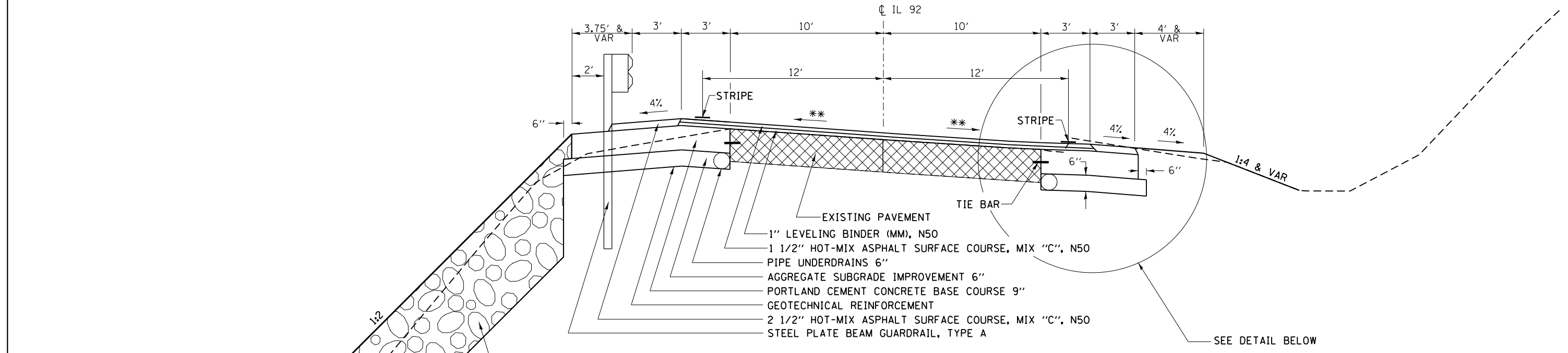


TYPICAL SECTIONS

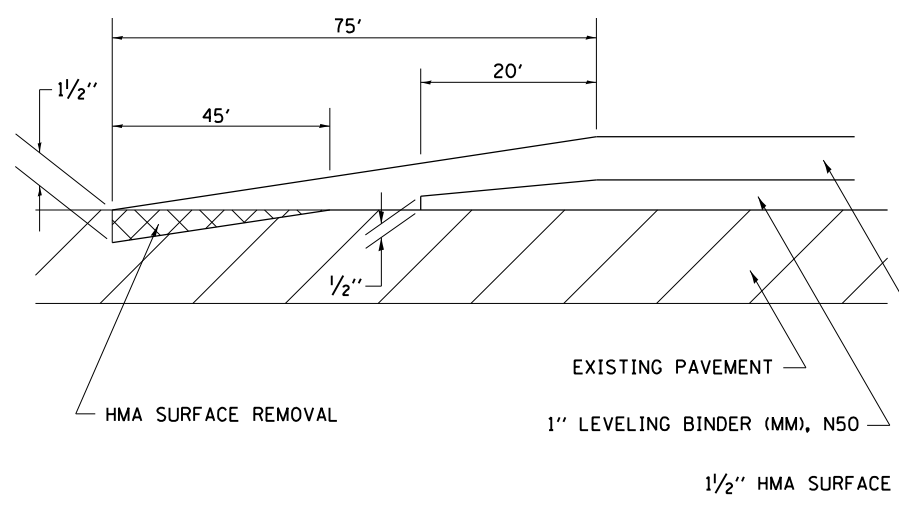
STA. 809+00 TO 816+50 LT
 STA. 819+50 TO 821+00 LT



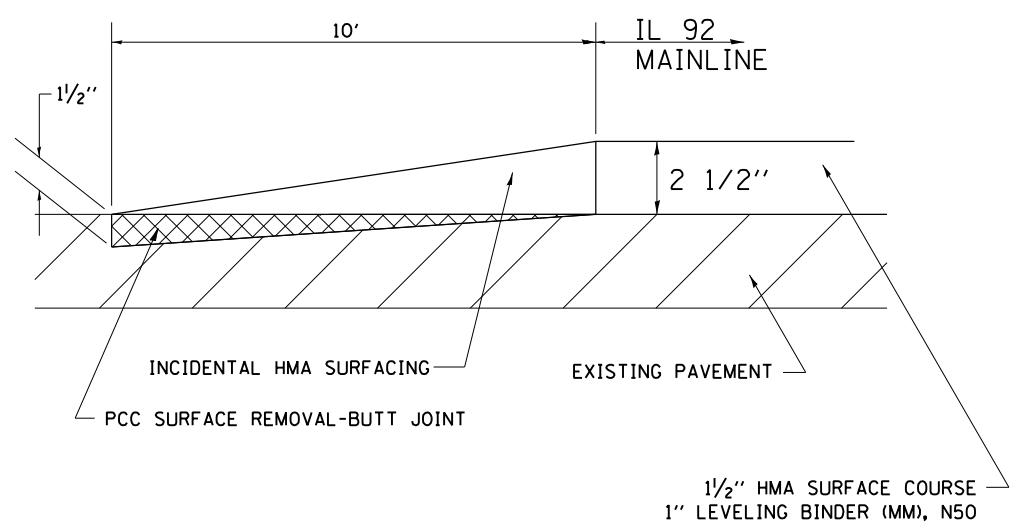
STONE RIP RAP, CLASS A5

STA. 802+15 TO 802+90
 STA. 950+70 TO 951+45
 STA. 952+43 TO 953+18
 STA. 994+89 TO 995+64
 STA. 997+03 TO 997+78
 STA. 1017+84 TO 1018+59

TYPICAL TAPER



9TH ST WEST
 STA 1008+42
 BUTT-JOINT



HMA APPLICATION RATE
 112 LB/SY/IN
 ** MAINTAIN EXISTING CROSS SLOPES
 (1/8" / FT MIN.)

FILE NAME =	USER NAME = grantpm	DESIGNED -	REVISED -
es:\pwork\work\pwork\grantpm\d0261271\020711-sh-t-1.tpd.dgn		DRAWN -	REVISED -
Default	PLOT SCALE = 100.0000' / in.	CHECKED -	REVISED -
	PLOT DATE = Wed Mar 20 13:59:19 2013	DATE -	REVISED -

STATE OF ILLINOIS
 DEPARTMENT OF TRANSPORTATION

TYPICAL SECTIONS			
SCALE: _____	SHEET _____	OF _____	SHEETS
STA. _____	TO STA. _____		

F.A.P. RTE.	SECTION	COUNTY	TOTAL SHEETS	SHEET NO.
599	183MET & 103MET	ROCK ISLAND	340	16
CONTRACT NO. 64H11			ILLINOIS FED. AID PROJECT	