

# PROPOSED HIGHWAY PLANS

FAP 840 (IL 49)

SECTION D3 ROUTE AND SEAL 2015-2

## ROUTING AND SEALING PAVEMENT CRACKS IROQUOIS COUNTY

C-93-134-14

F.A.P. RTE.	SECTION	COUNTY	TOTAL SHEETS	SHEET NO.
840	D3 CRACK SEALING 2015-2	IROQUOIS	5	1
ILLINOIS			CONTRACT NO. 66E03	

INDEX OF SHEETS

1. COVER SHEET
2. GENERAL NOTES
3. SUMMARY OF QUANTITIES
4. TYPICAL SECTIONS
5. DETAILS

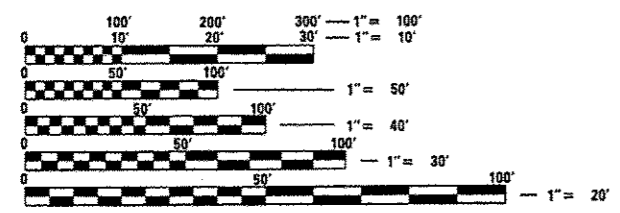
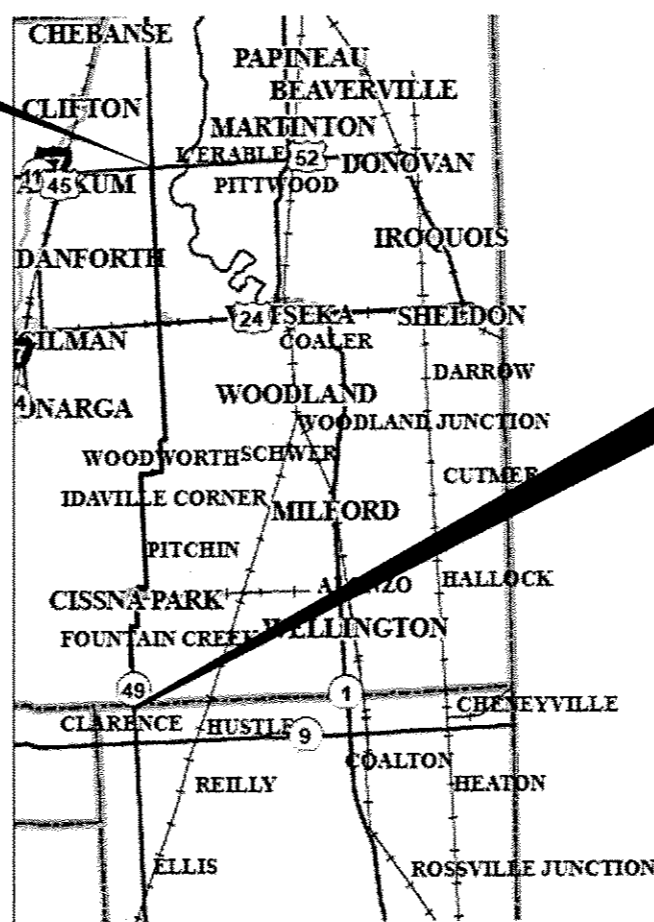
HIGHWAY STANDARDS

- 000001-06 STANDARD SYMBOLS, ABBREVIATIONS AND PATTERNS
- 001006 DECIMAL OF AN INCH AND OF A FOOT
- 701001-02 OFF-ROAD OPERATIONS 2L, 2W, MORE THAN 15' (4.5 m) AWAY
- 701006-05 OFF-ROAD OPERATIONS 2L, 2W, 15' (4.5 m) TO 24" (600 mm) FROM PAVEMENT EDGE
- 701301-04 LANE CLOSURE, 2L, 2W, SHORT TIME OPERATIONS
- 701306-03 LANE CLOSURE, 2L, 2W, SLOW MOVING OPERATIONS DAY ONLY, FOR SPEEDS  $\geq$  45 MPH
- 701311-03 LANE CLOSURE, 2L, 2W, MOVING OPERATIONS - DAY ONLY
- 701901-03 TRAFFIC CONTROL DEVICES



BEGIN IMPROVEMENT - IL 49  
IL 49 & US 52 INTERSECTION  
L.M. 0.00

END IMPROVEMENT - IL 49  
IL 49 & VERMILLION COUNTY LINE INTERSECTION  
L.M. 29.00



FULL SIZE PLANS HAVE BEEN PREPARED USING STANDARD ENGINEERING SCALES. REDUCED SIZED PLANS WILL NOT CONFORM TO STANDARD SCALES. IN MAKING MEASUREMENTS ON REDUCED PLANS, THE ABOVE SCALES MAY BE USED.

J.U.L.I.E.  
JOINT UTILITY LOCATION INFORMATION FOR EXCAVATION  
1-800-892-0123  
OR 811

PROJECT ENGINEER: JOE KANNEL P.E.  
UNIT CHIEF: RON WOODSHANK  
TOWNSHIPS: VARIOUS  
CONTRACT NO. 66E03

GROSS LENGTH IL 49=153120 FT.=29.0 MILE  
NET LENGTH IL 49=153120 FT.=29.0 MILE

FUNCTIONAL CLASSIFICATION  
RURAL - MINOR ARTERIAL  
FAP 840 (IL 49)  
ADT = 1750 (2012)  
P.V = 83.3 % M.U. = 11.5 % S.U. = 5.2 %

STATE OF ILLINOIS  
DEPARTMENT OF TRANSPORTATION  
DIVISION OF HIGHWAYS

SUBMITTED May 15 2014  
Paul Coetz D.S.  
DEPUTY DIRECTOR OF HIGHWAYS, REGION ENGINEER

June 27 2014  
John D. Baranzelli P.E. Jr.  
ENGINEER OF DESIGN AND ENVIRONMENT

June 27 2014  
Omer Osman P.E. Jr.  
DIRECTOR OF HIGHWAYS, CHIEF ENGINEER

PRINTED BY THE AUTHORITY  
OF THE STATE OF ILLINOIS

GENERAL NOTES

PLAN DIMENSIONS AND DETAILS RELATIVE TO THE EXISTING PLANS ARE SUBJECT TO ROUTINE VARIATIONS. THE CONTRACTOR SHALL FIELD VERIFY EXISTING DIMENSIONS AND DETAILS AFFECTING NEW CONSTRUCTION AND MAKE NECESSARY APPROVED ADJUSTMENTS PRIOR TO CONSTRUCTION OR ORDERING OF MATERIALS. SUCH VARIATIONS SHALL NOT BE CAUSE FOR ADDITIONAL COMPENSATION FOR A CHANGE IN THE SCOPE OF THE WORK. HOWEVER, THE CONTRACTOR WILL BE PAID FOR THE QUANTITY FURNISHED BASED UPON THE UNIT BID PRICE FOR THE WORK.

THE CONTRACTOR SHALL BE RESPONSIBLE FOR PROTECTING UTILITY PROPERTY FROM CONSTRUCTION OPERATIONS AS OUTLINED IN ARTICLE 107.31 OF THE STANDARD SPECIFICATIONS. THE "JULIE" NUMBER IS 1-800-892-0123. A MINIMUM OF FORTY-EIGHT (48) HOURS ADVANCE NOTICE IS REQUIRED.

SHORT-TERM PAVEMENT MARKING SHALL BE USED TO OUTLINE THE CENTERLINE OF PAVEMENT AND NO-PASSING LINES

ANY REFERENCE TO A STANDARD IN THESE PLANS SHALL BE INTERPRETED TO MEAN THE EDITION AS INDICATED BY THE SUBNUMBER SHOWN IN THE LIST OF STANDARDS OR THE COPY INCLUDED IN THESE PLANS.

TRANSVERSE CRACKS HAVE BEEN ESTIMATED AT 36 FULL WIDTH (24') PER MILE. FINAL QUANTITIES WILL BE DETERMINED BY THE RESIDENT ENGINEER UPON CONSTRUCTION.

THE RESIDENT ENGINEER SHALL DETERMINE AT THE TIME OF CONSTRUCTION ANY BRIDGE, INTERSECTION, OR OTHER OMISSIONS NECESSARY.

THE FOLLOWING RATES OF APPLICATION HAVE BEEN USED IN CALCULATING PLAN QUANTITIES FOR ROUTED CRACKS:

CRACK FILLING MATERIAL	0.35	POUNDS/FOOT
------------------------	------	-------------

DATE: 5-15-14

PREPARED BY: *Dmitriy Boudin*  
DISTRICT STUDIES & PLANS ENGINEER

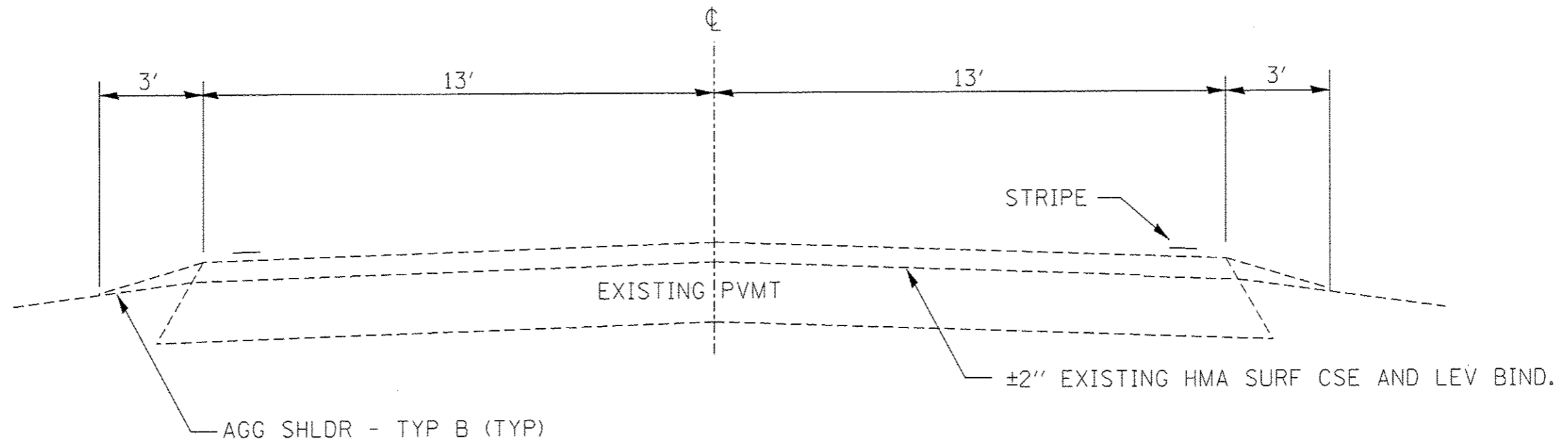
EXAMINED BY: *Helen Jones*  
DISTRICT CONSTRUCTION ENGINEER

*Ray [Signature]*  
DISTRICT MATERIALS ENGINEER

*Bruce A. [Signature]*  
DISTRICT OPERATIONS ENGINEER

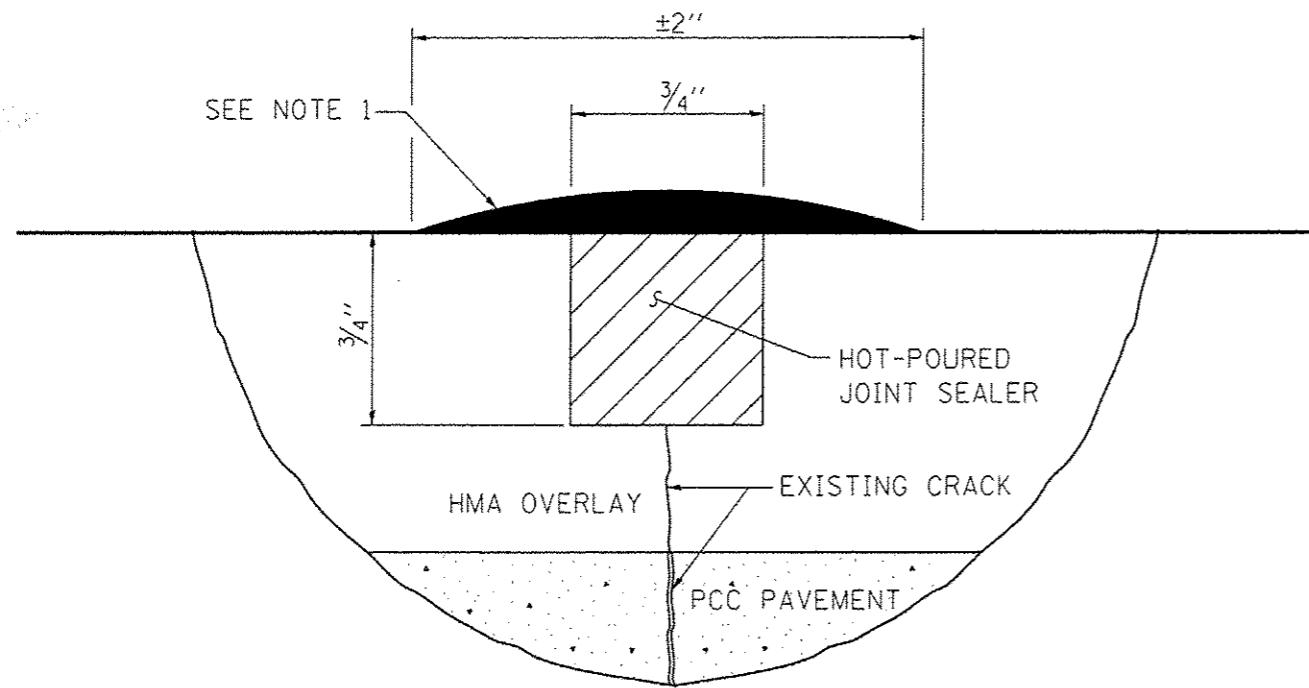
CODE NO.	ITEM	UNIT	TOTAL QUANTITY	CONSTR. CODE
				STATE FUNDS
				100%
				ROADWAY
				0005
				RURAL
45100100	CRACK ROUTING (PAVEMENT)	FOOT	178176	178176
45100200	CRACK FILLING	POUND	62362	62362
67100100	MOBILIZATION	L SUM	1	1
70100460	TRAFFIC CONTROL AND PROTECTION, STANDARD 701306	L SUM	1	1
* 78001110	PAINT PAVEMENT MARKING - LINE 4"	FOOT	23100	23100
* 78001130	PAINT PAVEMENT MARKING - LINE 6"	FOOT	44544	44544

\*SPECIALTY ITEM

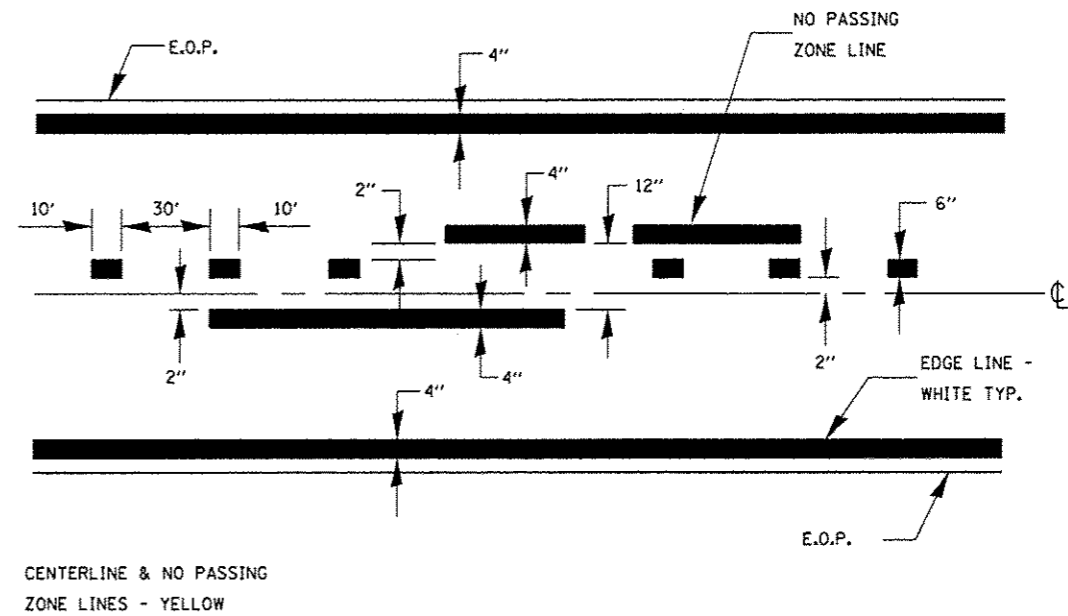


EXISTING TYPICAL SECTION

FILE NAME =	USER NAME = Pateljy	DESIGNED -	REVISED -	<b>STATE OF ILLINOIS DEPARTMENT OF TRANSPORTATION</b>	<b>TYPICAL SECTIONS</b>		F.A.P. RTE.	SECTION	COUNTY	TOTAL SHEETS	SHEET NO.
c:\pwork\pwork\pateljy\030618\0366E00-ht-details.dgn	DRAWN -	REVISED -	840				D3 CRACK SEALING 2015-2	IROQUOIS	5	4	
PLOT SCALE = 1/8" = 1'-0"	CHECKED -	REVISED -	SCALE:		SHEET NO. 1 OF 1 SHEETS	STA.	TO STA.	ILLINOIS FED. AID PROJECT			
PLOT DATE = 5/8/2014	DATE -	REVISED -									



**CRACK ROUTING AND SEALING DETAIL**



**PAVEMENT MARKING**

NOTE 1:  
 THE CRACK OR JOINT SHALL BE SLIGHTLY OVERFILLED AND IMMEDIATELY SQUEEGED TO PROVIDE A "BAND-AID" TYPE EFFECT APPROXIMATELY TWICE THE WIDTH OF THE ROUTED CRACK OR OPEN CRACK/JOINT FLUSH WITH PAVEMENT SURFACE AND WITH THE EDGES FEATHERED OUT.

FILE NAME :	USER NAME : Patelj	DESIGNED -	REVISED -	<b>STATE OF ILLINOIS DEPARTMENT OF TRANSPORTATION</b>	<b>DETAILS</b>	F.A.P. RTE.	SECTION	COUNTY	TOTAL SHEETS	SHEET NO.	
ci\pav_work\pav\patelj\08396181\0365E	03-shs-details.dgn	DRAWN -	REVISED -			840	03 CRACK SEALING 2015-2	IROQUOIS	5	5	
	PLOT SCALE * 1/8" = 1'-0"	CHECKED -	REVISED -			CONTRACT NO. 66E03					
	PLOT DATE * 5/8/2014	DATE -	REVISED -			ILLINOIS FED. AID PROJECT					
				SCALE:	SHEET NO. OF SHEETS	STA. TO STA.					