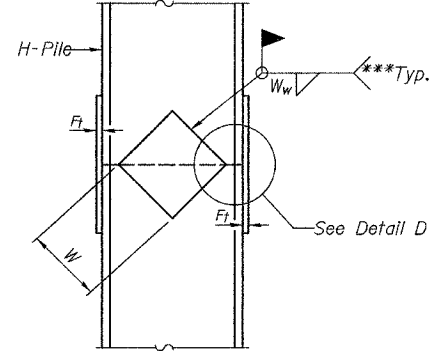
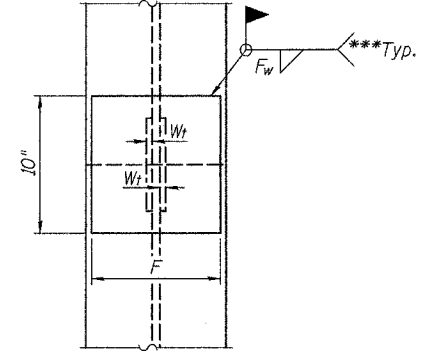


STEEL PILE TABLE

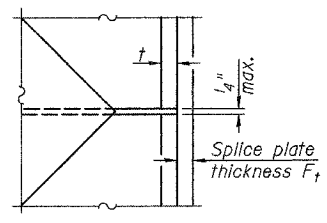
Designation	Depth d	Flange width bf	Web and Flange thickness t	Encasement diameter A
HP 14x117	14 1/4"	14 7/8"	1 3/16"	30"
x102	14"	14 3/4"	1 1/16"	30"
x89	13 7/8"	14 3/4"	5/8"	30"
x73	13 5/8"	14 5/8"	1/2"	30"
HP 12x84	12 1/4"	12 1/4"	1 1/16"	24"
x74	12 1/8"	12 1/4"	5/8"	24"
x63	12"	12 1/8"	1/2"	24"
x53	11 3/4"	12"	7/16"	24"
HP 10x57	10"	10 1/4"	9/16"	24"
x42	9 3/4"	10 1/8"	7/16"	24"
HP 8x36	8"	8 1/8"	7/16"	18"



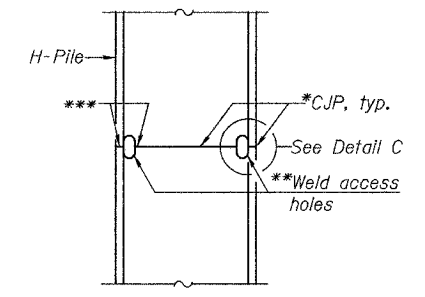
ELEVATION



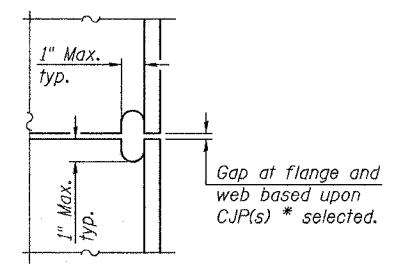
END VIEW



DETAIL D



ELEVATION



DETAIL C

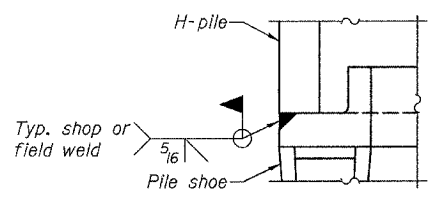
COMPLETE PENETRATION WELD SPLICE

*Use joint conforming to Figure 3.4 in AWS D1.1, Structure Welding Code - Steel.
 **Preparation per Fig. 5.2 in AWS D1.1, Structure Welding Code - Steel.
 ***Interrupt welds 1/4" from end of each pile.

Designation	F	Ft	Fw	W	Wt	Ww
HP 14x117	12 1/2"	1"	7/8"	7 3/4"	5 1/8"	1/2"
x102	12 1/2"	7/8"	3/4"	7 3/4"	5 1/8"	1/2"
x89	12 1/2"	3/4"	1/16"	7 3/4"	5 1/8"	1/2"
x73	12 1/2"	5/8"	9/16"	7 3/4"	5 1/8"	1/2"
HP 12x84	10"	7/8"	1/16"	6 1/2"	5 1/8"	1/2"
x74	10"	7/8"	1/16"	6 1/2"	5 1/8"	1/2"
x63	10"	5/8"	1/2"	6 1/2"	1/2"	3/8"
x53	10"	5/8"	1/2"	6 1/2"	1/2"	3/8"
HP 10x57	8"	3/4"	9/16"	5 1/4"	1/2"	3/8"
x42	8"	5/8"	9/16"	5 1/4"	1/2"	3/8"
HP 8x36	7"	5/8"	7/16"	4 1/4"	1/2"	3/8"

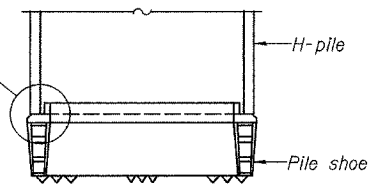
WELDED PLATE FIELD SPLICE

Note:
 The steel H-piles shall be according to AASHTO M270 Grade 50.

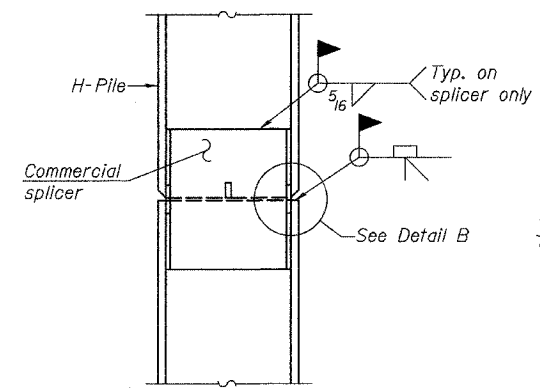


DETAIL A

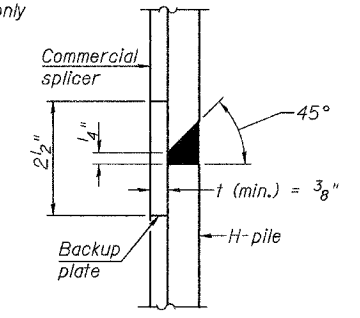
H-PILE SHOE ATTACHMENT



ELEVATION

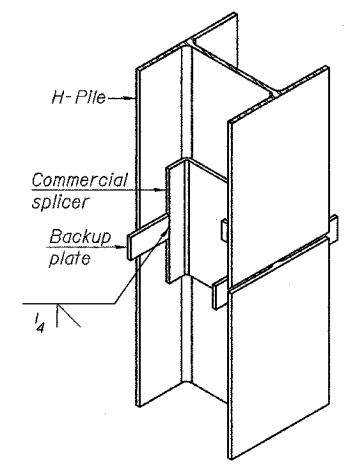


ELEVATION

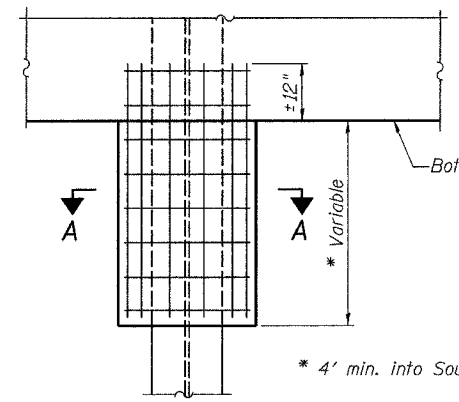


DETAIL "B"

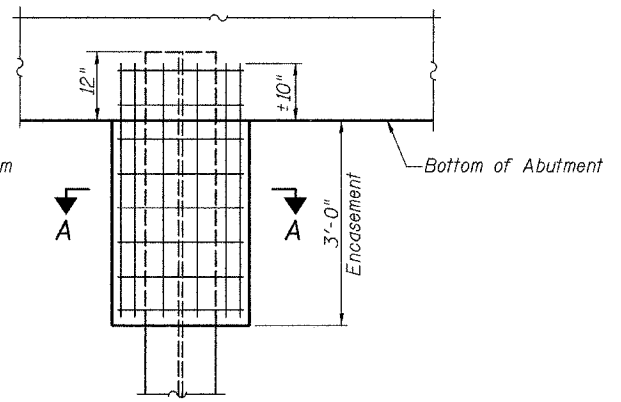
WELDED COMMERCIAL SPLICE



ISOMETRIC VIEW

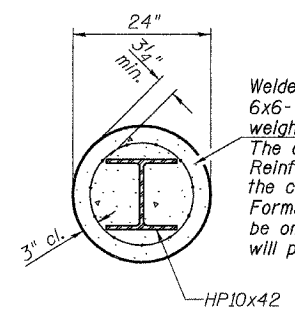


PIER ELEVATION



ABUTMENT ELEVATION

PILE ENCASEMENT



SECTION A-A

Welded wire fabric
 6x6-W4.0xW4.0
 weighing 58#/100 sq. ft.
 The cost of Excavation and Reinforcement is included with the cost of Concrete Encasement. Forms for encasement may be omitted when soil conditions will permit.

PILE DETAILS
 COUNTY HIGHWAY 2 OVER
 LITTLE MISSOURI CREEK
 SECTION 05-0064-00-BR
 BROWN COUNTY
 STATION 20+11.00