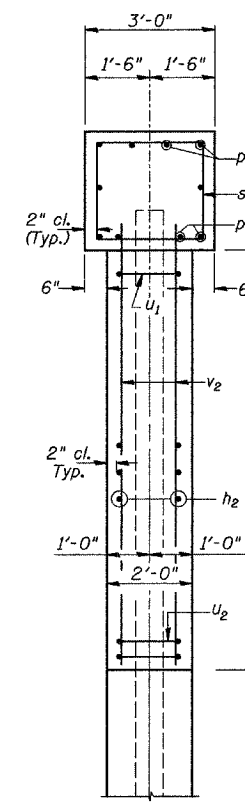
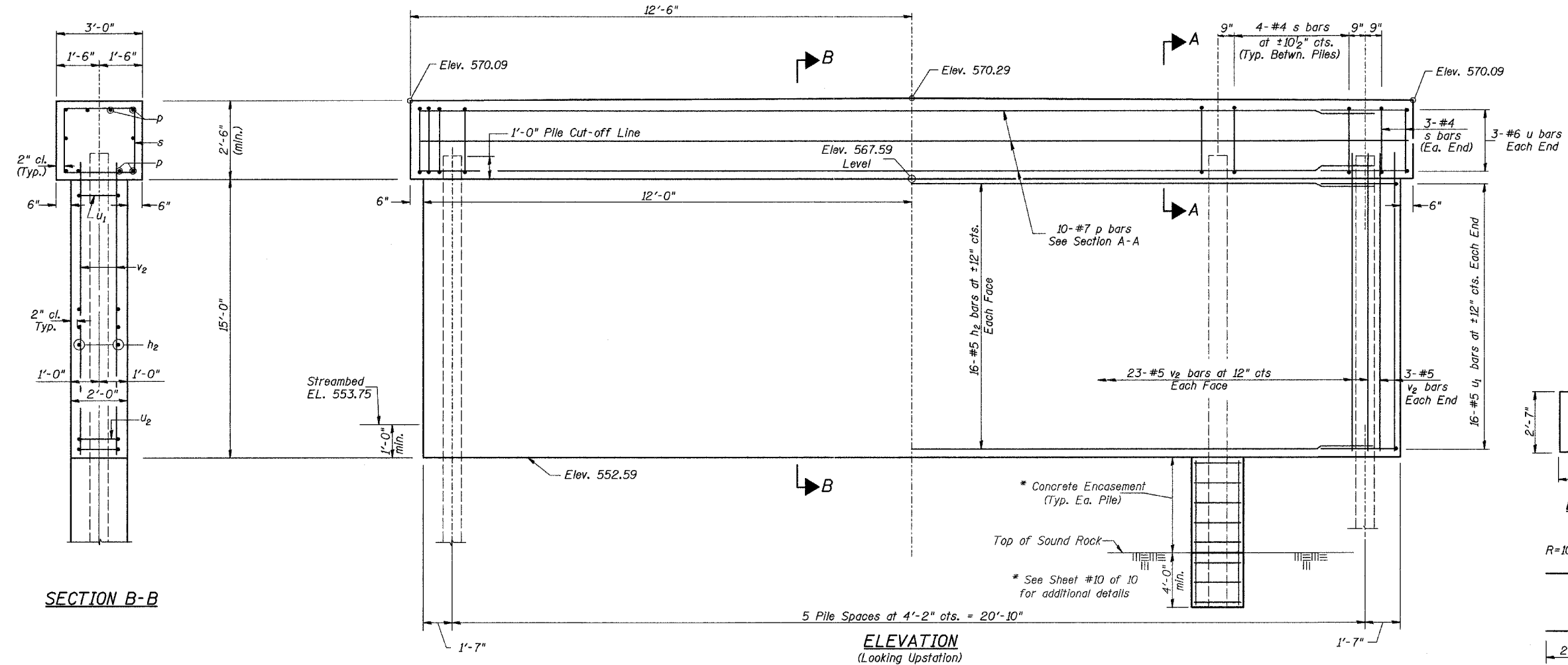
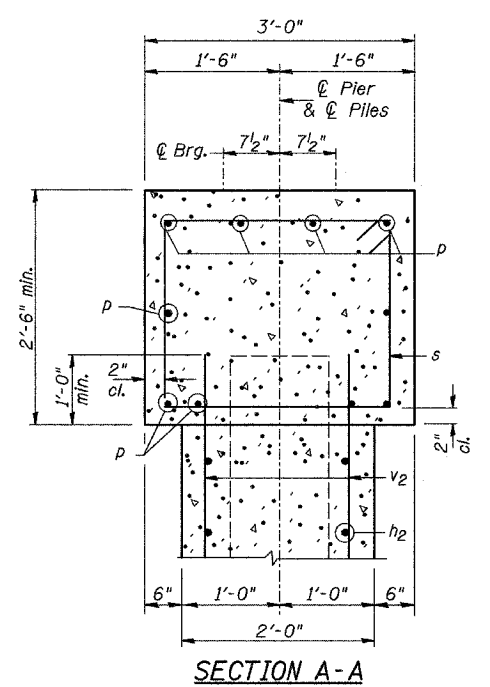
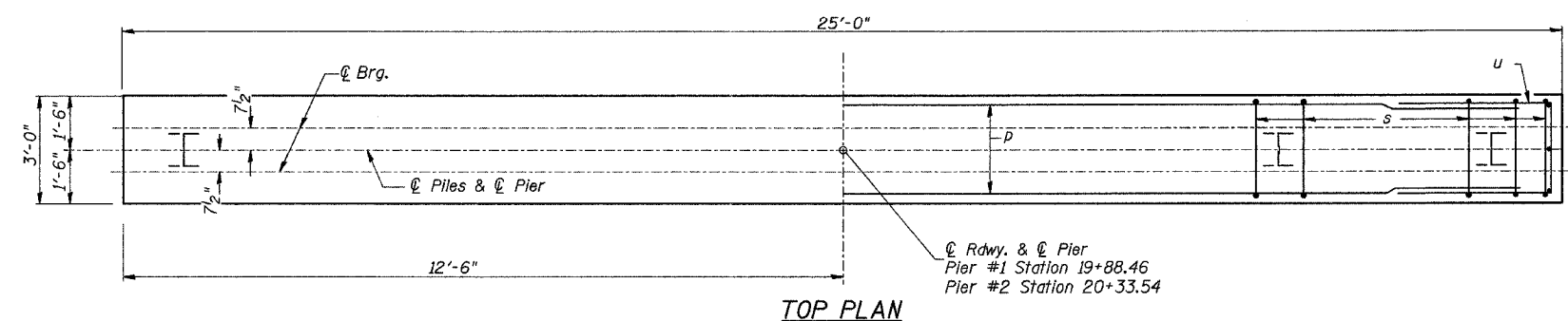
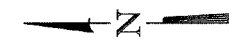


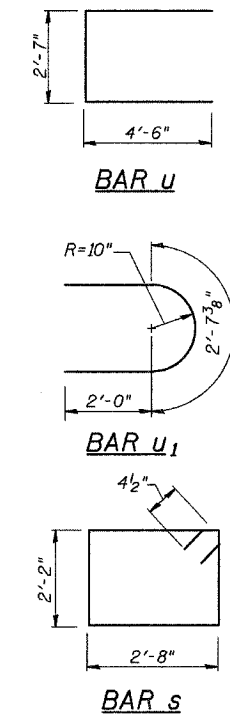
NOTES:
All edges shall have standard 3/4" chamfer.



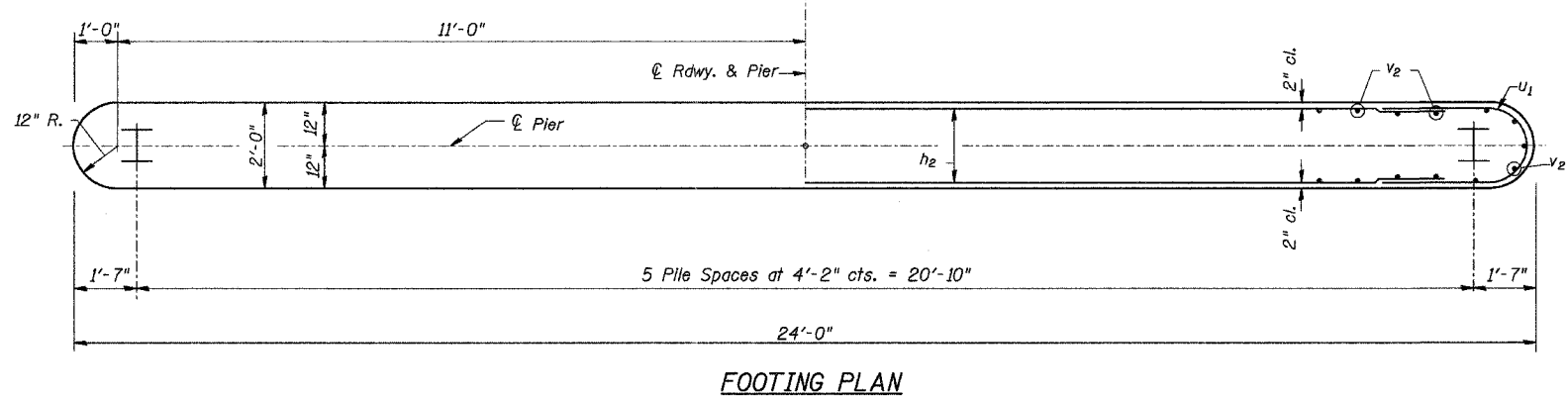
**TWO PIERS
BILL OF MATERIAL**

BAR	NO.	SIZE	LENGTH	SHAPE
h ₂	64	#5	21'-8"	—
p	20	#7	24'-9"	—
s	52	#4	10'-5"	□
u	12	#6	11'-7"	□
u ₁	64	#5	6'-8"	□
v ₂	104	#5	15'-10"	—
Concrete Structures		CU YD	66.8	
Reinforcement Bars		POUND	5,190	
Structure Excavation		CU YD	40	
Furnishing Steel Piles HP10x42		FOOT	312	
Setting Piles in Rock		EACH	12	
Concrete Encasement		CU YD	8.4	
Underwater Structure Excavation Protection, Location 1		EACH	1	
Underwater Structure Excavation Protection, Location 2		EACH	1	

① See Special Provisions



PILE DATA
Type & Size: Steel HP10x42
Nominal Required Bearing: Set in Rock (336 kips)
Allowable Resistance Available: Set in Rock (112 kips)
Est. Length: 28' Pier #1
24' Pier #2
No. Req'd.: 12



**PIERS
COUNTY HIGHWAY 2 OVER
LITTLE MISSOURI CREEK
SECTION 05-00064-00-BR
BROWN COUNTY
STATION 20+11.00**