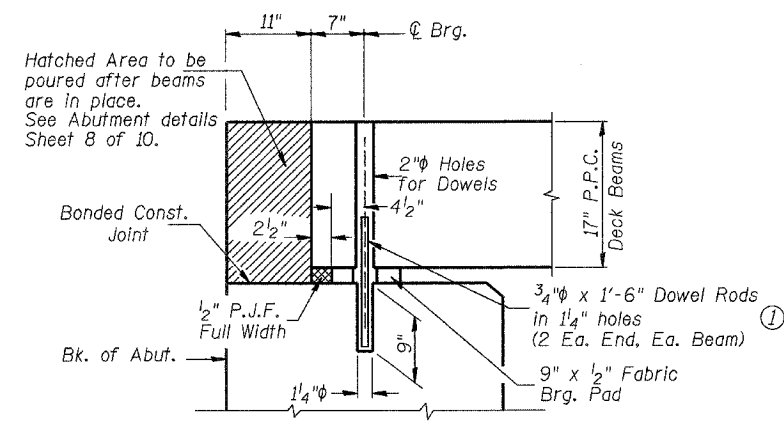
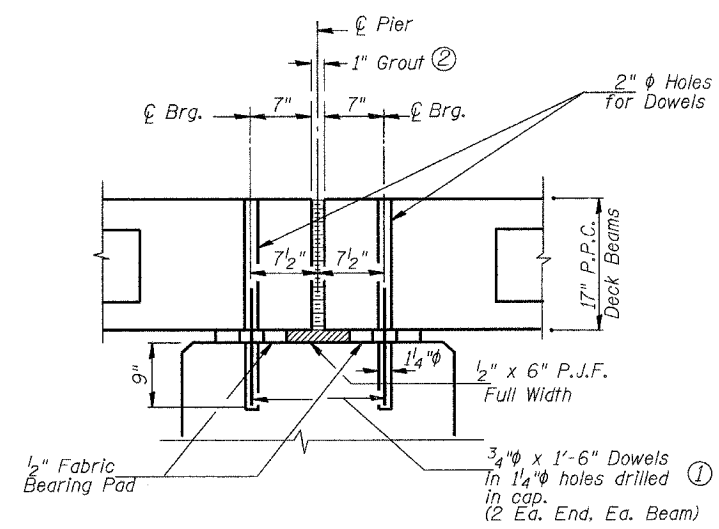


**RAIL POST SPACING**



- ① Dowel Rods to be grouted after beams are in place and allowed to cure (Min. 24 hr.) prior to grouting the shear keys.
- ② 1" Joint shall be packed with a very dry mix of 2:1 sand and P.C. mortar. 1" Dimension may vary plus or minus to accommodate tolerance in beam lengths.

**SUPERSTRUCTURE DETAILS  
AND RAIL POST SPACING  
COUNTY HIGHWAY 2 OVER  
LITTLE MISSOURI CREEK  
SECTION 05-00064-00-BR  
BROWN COUNTY  
STATION 20+11.00**