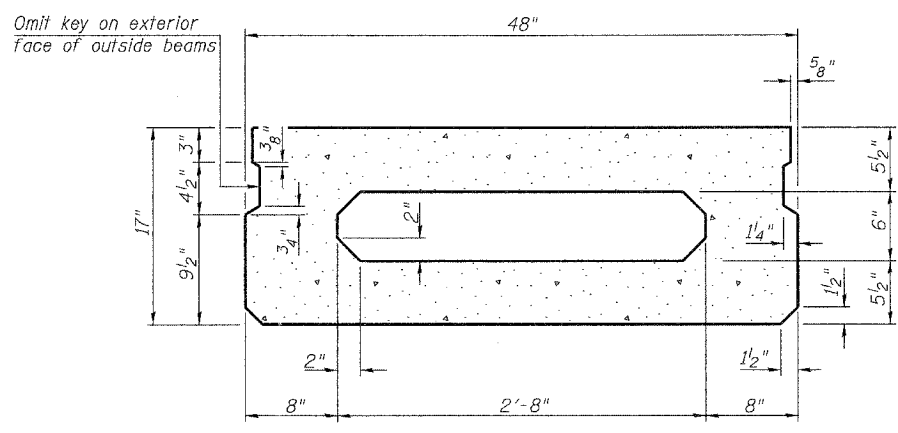
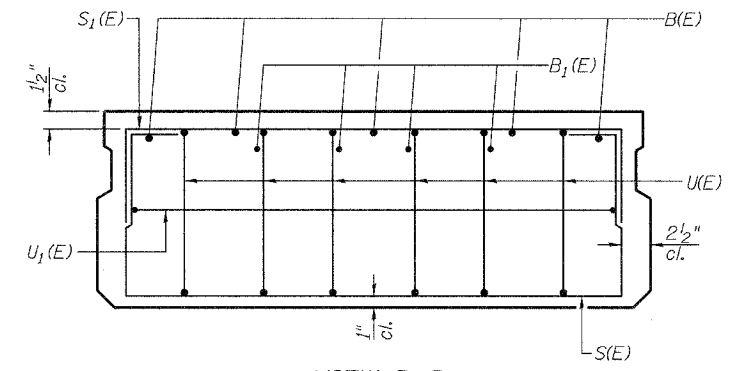


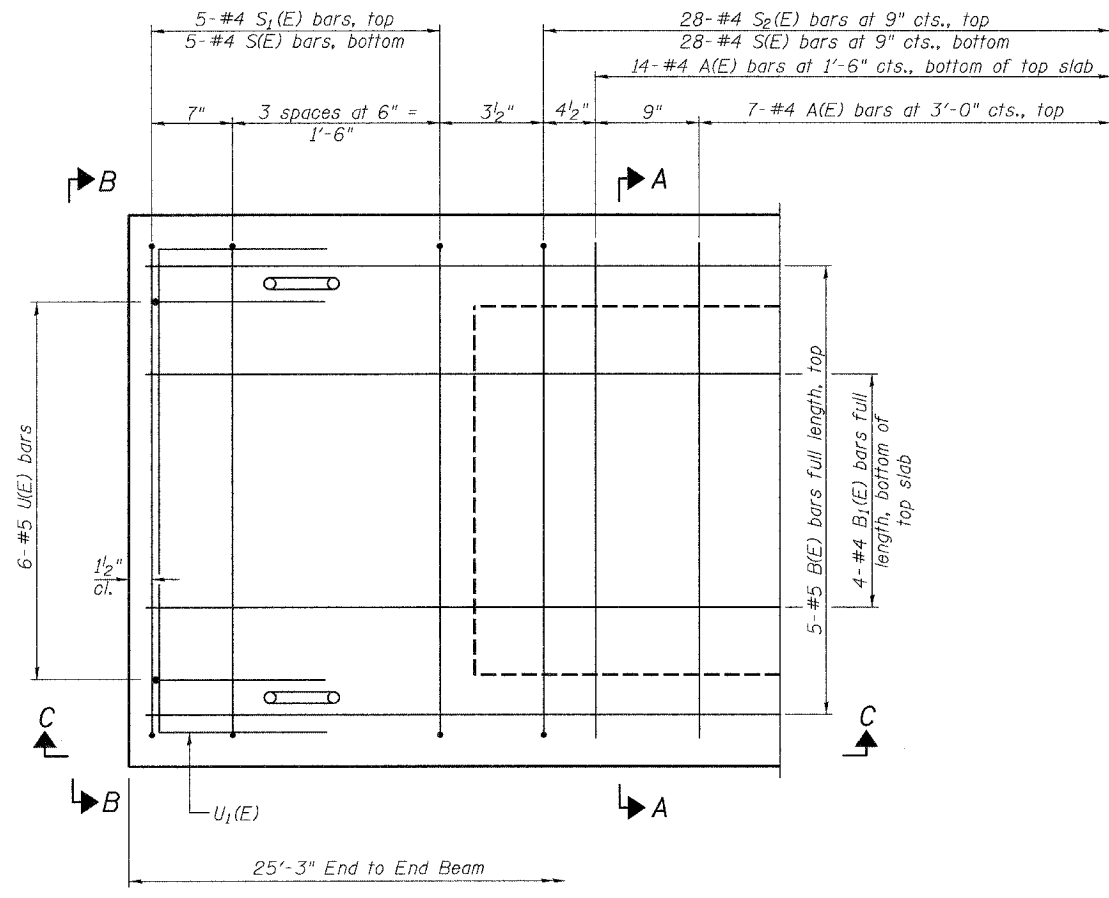
SECTION C-C



SECTION A-A
(Showing dimensions)

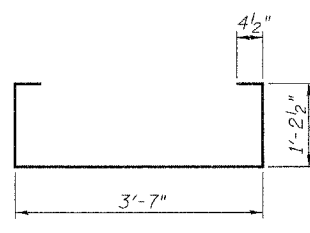


VIEW B-B

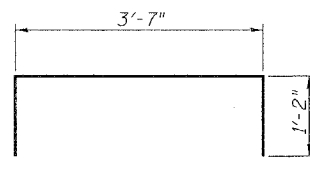


PLAN VIEW

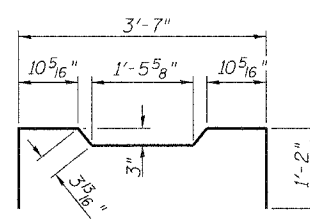
Note: Spacing of S(E) and S2(E) bars may be adjusted up to 4" in the immediate area of the transverse tie diaphragms to miss the block outs for the transverse ties.



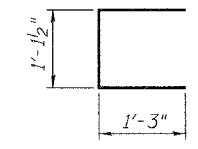
BAR S(E)



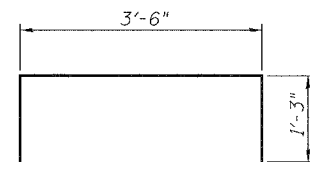
BAR S1(E)



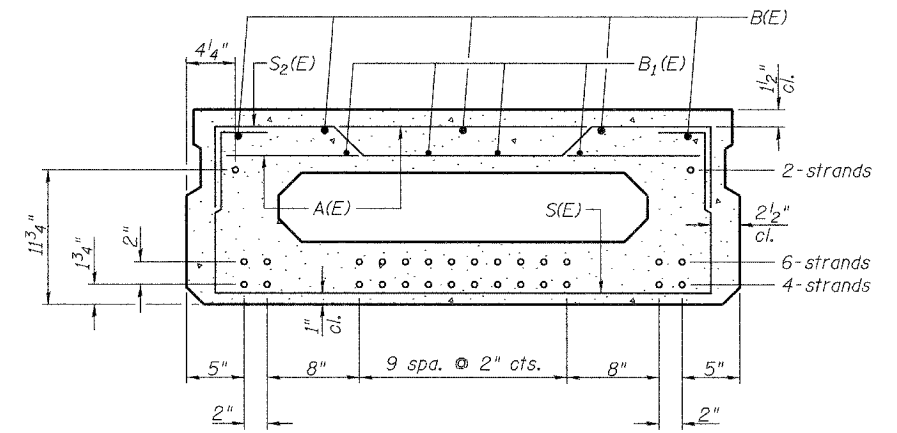
BAR S2(E)



BAR U(E)



BAR U1(E)



SECTION A-A
12-1/2" ϕ Strands Each Strand Stressed to 30,900 Lbs.
4-Strands 1 3/4" up, 6-Strands 3/4" up, 2-Strands 1 1/4" up

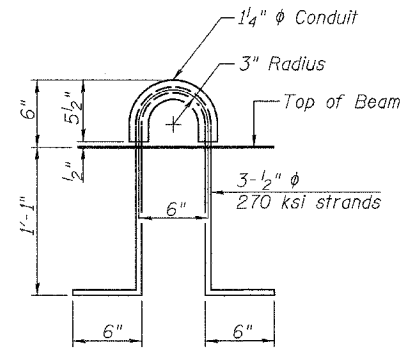
Note: Place the number of strands specified in each row symmetrically about the centerline of beam in the permissible strand locations shown.

BAR LIST ONE BEAM ONLY
(For information only)

| Bar | No. | Size | Length | Shape |
|-------|-----|------|---------|-------|
| A(E) | 21 | #4 | 3'-7" | — |
| B(E) | 5 | #5 | *25'-0" | — |
| B1(E) | 4 | #4 | *25'-0" | — |
| S(E) | 38 | #4 | 6'-9" | □ |
| S1(E) | 10 | #4 | 5'-11" | □ |
| S2(E) | 28 | #4 | 6'-2" | □ |
| U(E) | 12 | #5 | 3'-8" | □ |
| U1(E) | 2 | #4 | 6'-0" | □ |

* Total Length, Lap as necessary

Note: See sheet 2 of 10 for additional details and Bill of Material.



LIFTING LOOP DETAIL

SUPERSTRUCTURE DETAILS
SPANS 1 & 3
COUNTY HIGHWAY 2 OVER
LITTLE MISSOURI CREEK
SEC. 05-00064-00-BR
BROWN COUNTY
STATION 20+11.00