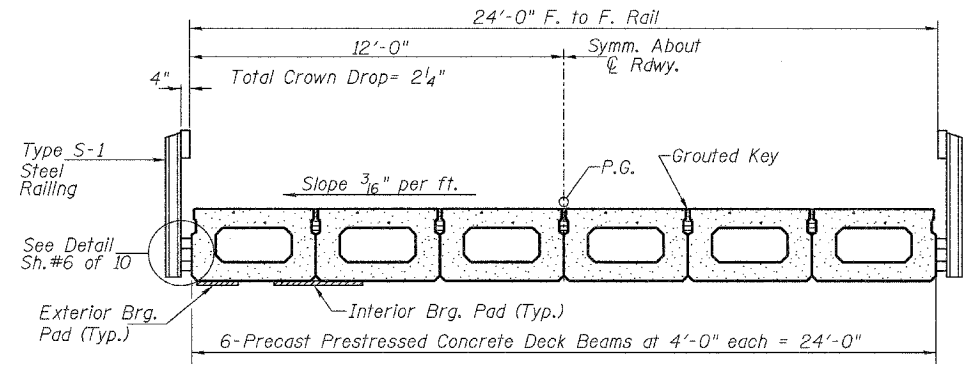


Note: Connect beams in pairs with the transverse tie configuration shown.



**BILL OF MATERIAL - SPANS 1 & 3**

ITEM	UNIT	QUANTITY
Precast Prestressed Concrete Deck Beams (17" Depth)	SQ FT	1,212

**NOTES**

- Prestressing steel shall be uncoated high strength, low relaxation 7-wire strand, Grade 270. The nominal diameter shall be 1/2" and the nominal cross-sectional area shall be 0.153 sq. in. The 1" rods in the transverse tie assembly shall be tightened to a snug fit and the threads set. Pockets on exterior faces of bridge shall be filled with grout after transverse tie assembly is in place.
- Reinforcement bars shall conform to ASTM A 706, Grade 60. (See Special Provisions)
- Two 1/8" fabric adjusting shims of the dimensions of the exterior bearing pad shall be provided for each bearing pad location.
- A minimum 2 1/2" diameter lifting pin shall be used to engage the lifting loops during handling.
- Corrosion Inhibitor, per Article 1020.05(b)(12) and 1021.06 of the Standard Specifications, shall be used in the concrete for precast prestressed concrete deck beams.
- Compressive strength of prestressed concrete, f'c, shall be 6000 psi.
- Compressive strength of prestressed concrete at release, f'ci, shall be 5000 psi.

**SUPERSTRUCTURE - SPANS 1 & 3**  
**COUNTY HIGHWAY 2 OVER**  
**LITTLE MISSOURI CREEK**  
**SEC. 05-00064-00-BR**  
**BROWN COUNTY**  
**STATION 20+11.00**