

POLE BASE MOUNTING AND WIRING

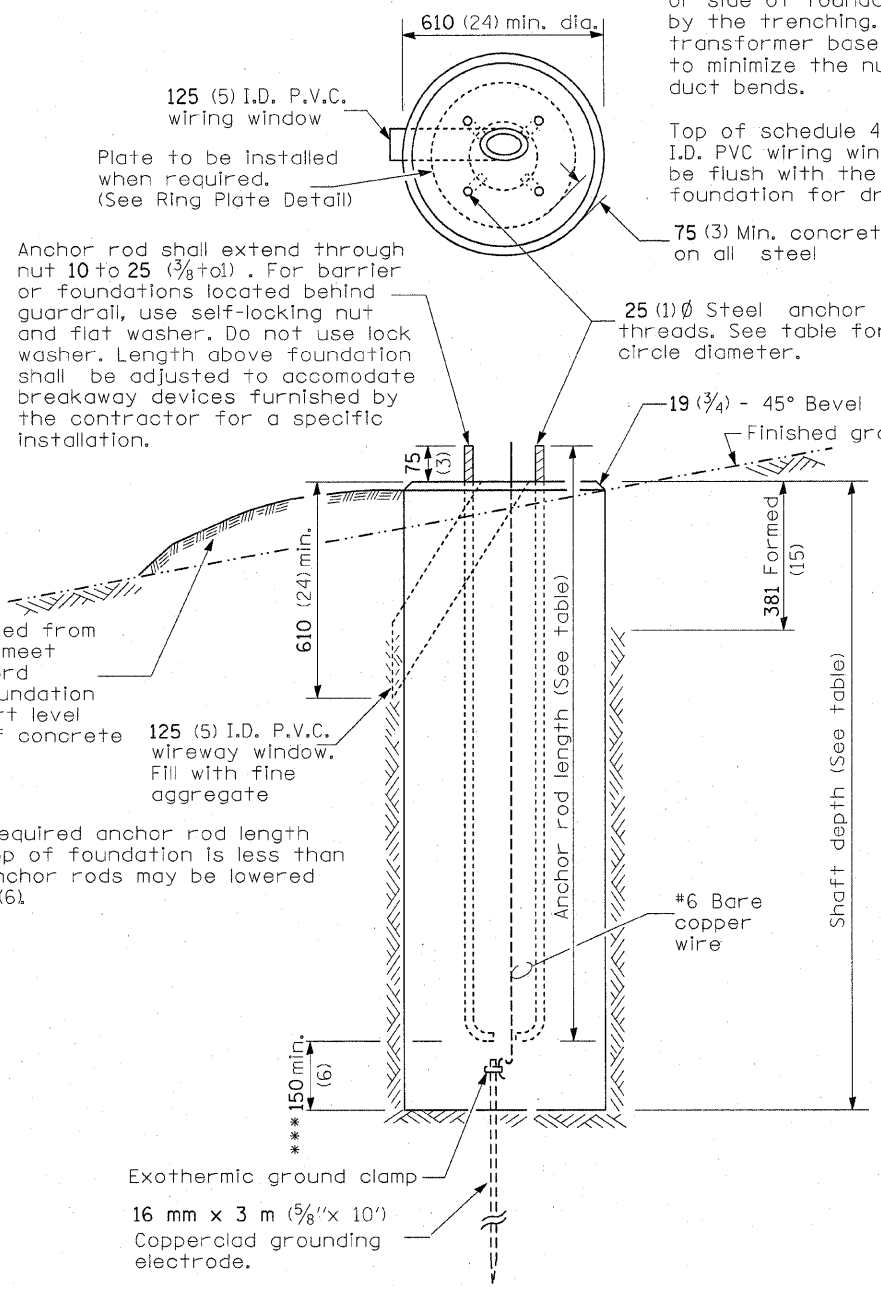
NOTE: A. ON POLES WITH TWO LUMINAIRES, EACH LUMINAIRE SHALL HAVE A SEPARATE FUSED DISCONNECT & ASSOCIATED CABLES TO EACH LUMINAIRE.

CONCRETE FOUNDATION				
LIGHT POLE MOUNTING HEIGHT	BOLT CIRCLE DIAMETER	SHAFT DIAMETER	SHAFT DEPTH	ANCHOR ROD LENGTH*
9.1 m (30')	292 mm (11 1/2")	610mm (24")	1.52 m (5'-0")	1.45 m (4'-9")
9.4 m - 10.7 m (31'-35')	292 mm (11 1/2")	610mm (24")	1.67 m (5'-6")	1.60 m (5'-3")
10.9 m - 12.2 m (36'-40')	381 mm (15")	610mm (24")	1.83 m (6'-0")	1.75 m (5'-9")
12.5 m - 13.7 m (41'-45')	381 mm (15")	610mm (24")	1.98 m (6'-6")	1.90 m (6'-3")
14.0 m - 15.2 m (46'-50')	381 mm (15")	610mm (24")	2.13m (7'-0")	2.00 m (6'-9")

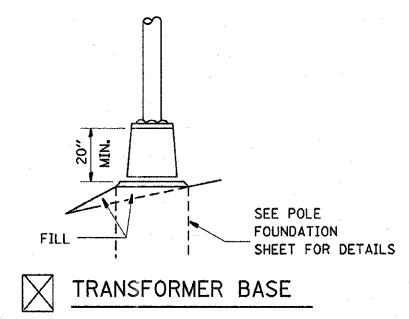
* Length does not include 100 (4)hook
** 220 mm x 2.44 m (8 3/8" x 8'-0") for Twin luminaires

Notes:

All foundations are designed to be located on slopes not exceeding 2:1 where soils have an unconfined compressive strength of at least 1.0 TSF. The contractor shall verify the soil strength during drilling for concrete foundations and notify the engineer if other conditions are encountered.



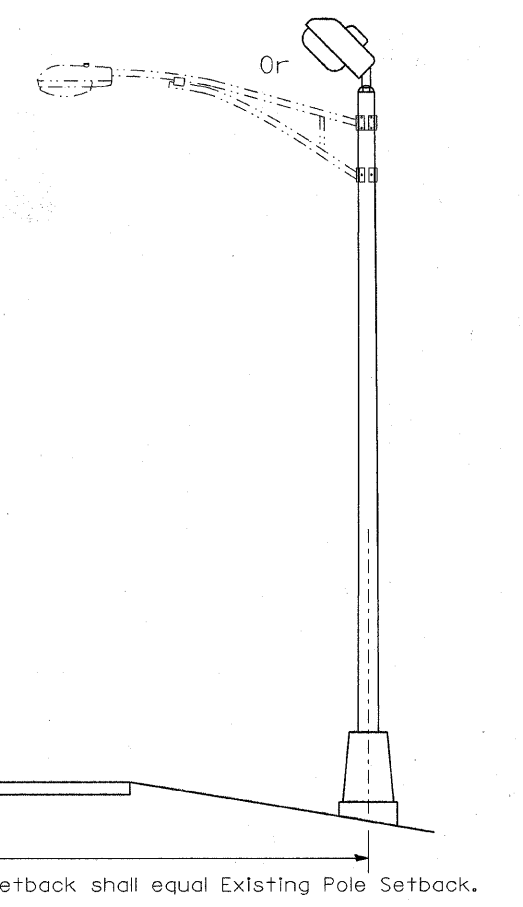
*** If the required anchor rod length above top of foundation is less than 75 (3), anchor rods may be lowered below 150 (6).



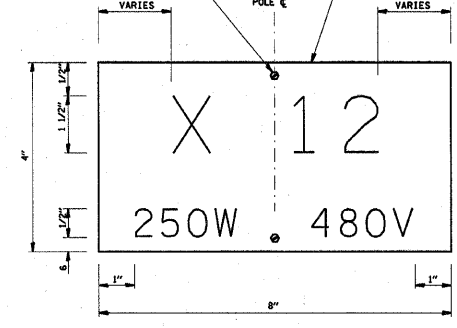
Notes:

Wireway may be on front, back, or side of foundation as required by the trenching. Place door of transformer base on wireway side to minimize the number of unit duct bends.

Top of schedule 40 PVC 125 (5) I.D. PVC wiring window, shall be flush with the top of foundation for drainage.



3/4" STAINLESS STEEL SELF-TAPPING SCREWS WITH 13/64" STAINLESS STEEL SPACERS BEHIND PANEL. HOLES FOR MOUNTING SHALL BE DRILLED ON POLE & ONLY (2-SCREWS PER PANEL).
18 GA DARK BRONZED MATTE FINISH ALUMINUM PLATE.



SIGN PANEL DETAIL

NOTE: ALL LETTERS AND NUMERALS SHALL BE SERIES C GOTHIC, NON-REFLECTIVE WHITE PREMIUM QUALITY ENAMEL.
SIGN INFORMATION SHALL BE IN ACCORDANCE WITH LIGHT POLE NUMBERING & MOUNTAGES SHOWN IN THE SCHEDULE.
ON BRIDGE PARAPET MOUNTED POLES, MOUNT ONE SIGN PANEL FACING ROADWAY 610 ABOVE POLE BASE.

