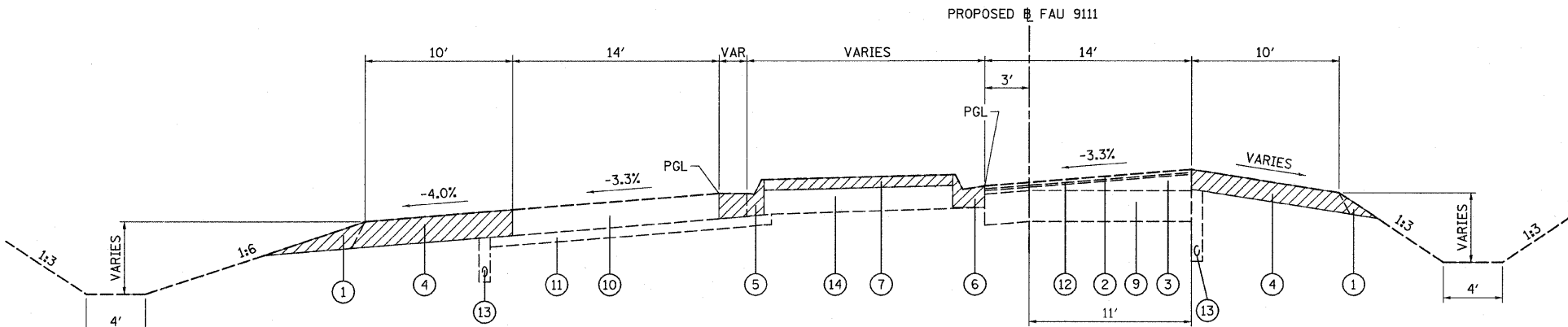
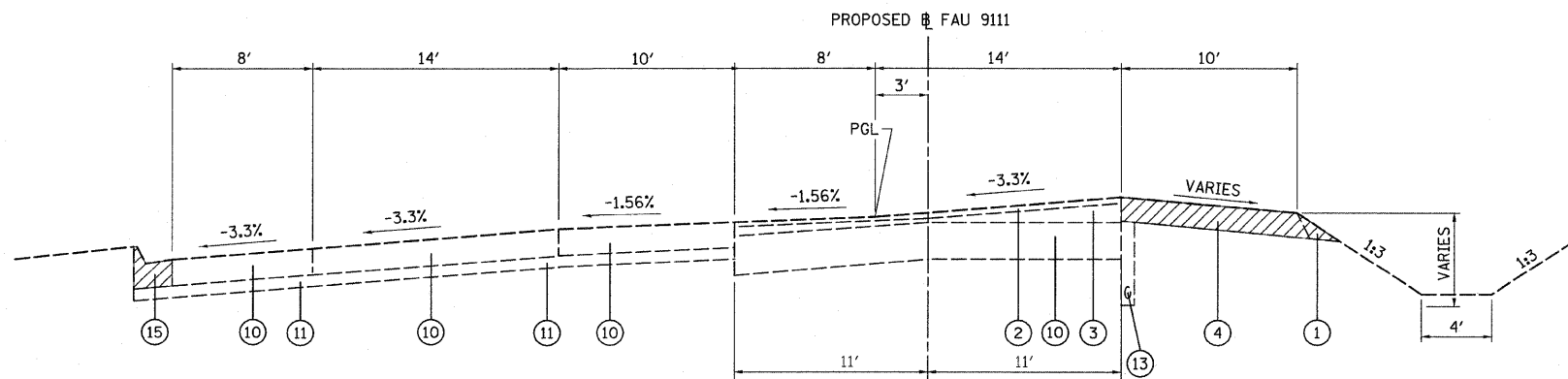


EXISTING TYPICAL SECTION
STA. 229+53.12 TO STA. 231+44.26
(NOT TO SCALE)



EXISTING TYPICAL SECTION
STA. 225+32 TO STA. 229+53.12
(NOT TO SCALE)



EXISTING TYPICAL SECTION
STA. 225+06.5 TO STA. 225+32
(NOT TO SCALE)

- LEGEND**
- ① EXISTING AGGREGATE SHOULDER, TYPE B
 - ② EXISTING BITUMINOUS CONCRETE SURFACE COURSE, MIXTURE D, CLASS I, 1 1/4"
 - ③ EXISTING LEVELING BINDER (MACHINE METHOD)
 - ④ EXISTING BITUMINOUS SHOULDER 8"
 - ⑤ EXISTING COMBINATION CONCRETE CURB & GUTTER, TYPE M6.06
 - ⑥ EXISTING COMBINATION CONCRETE CURB & GUTTER, TYPE M6.18
 - ⑦ EXISTING CONCRETE MEDIAN SURFACE, 4"
 - ⑧ EXISTING CONCRETE MEDIAN, TYPE C4 (MODIFIED)
 - ⑨ EXISTING PORTLAND CEMENT CONCRETE BASE COURSE 10"
 - ⑩ EXISTING PORTLAND CEMENT CONCRETE PAVEMENT, 8"
 - ⑪ EXISTING STABILIZED SUB-BASE 4"
 - ⑫ EXISTING BITUMINOUS CONCRETE BINDER COURSE 3/4"
 - ⑬ EXISTING 4" PIPE UNDERDRAINS
 - ⑭ EXISTING SAND BACKFILL
 - ⑮ EXISTING COMBINATION CONCRETE CURB & GUTTER, TYPE M6.24
 - ⑯ EXISTING COMBINATION CONCRETE CURB & GUTTER, TYPE B6.24
 - ⑰ EXISTING SUBBASE GRANULAR MATERIAL 5"
 - ⑱ EXISTING HOT-MIX ASPHALT BASE COURSE, 8"
 - ⑲ EXISTING BITUMINOUS CONCRETE SURFACE COURSE, 2"
 - ⑳ PROPOSED LEVELING BINDER (MACHINE METHOD), N90, VARIABLE DEPTH (3/4" MIN.)
 - ㉑ PROPOSED POLYMERIZED HOT-MIX ASPHALT SURFACE COURSE, MIX "D", N90, 1 1/2"
 - ㉒ PROPOSED HOT-MIX ASPHALT BASE COURSE, 1 1/2"
 - ㉓ PROPOSED HOT-MIX ASPHALT SHOULDERS, 8"
 - ㉔ PROPOSED COMBINATION CONCRETE CURB AND GUTTER, TYPE M-6.12
 - ㉕ PROPOSED CONCRETE MEDIAN SURFACE, 4 INCH
 - ㉖ PROPOSED CONCRETE MEDIAN, TYPE SM-6.12
 - ㉗ PROPOSED COMBINATION CONCRETE CURB AND GUTTER, TYPE B-6.24
 - ㉘ PROPOSED 4" PIPE UNDERDRAINS
 - ㉙ PROPOSED AGGREGATE SHOULDERS, TYPE B
 - ㉚ PROPOSED AGGREGATE SHOULDERS, TYPE A, 8"
 - ㉛ PROPOSED LIME MODIFIED SOIL, 12"
 - ㉜ PROPOSED BITUMINOUS MATERIALS (PRIME COAT)
 - ㉝ PROPOSED AGGREGATE (PRIME COAT)
 - ㉞ PROPOSED COMBINATION CONCRETE CURB AND GUTTER, TYPE B-6.18
 - ▨ ITEMS TO BE REMOVED

FILE NAME =	USER NAME = #USER#	DESIGNED -	REVISED -	STATE OF ILLINOIS DEPARTMENT OF TRANSPORTATION	EXISTING TYPICAL SECTIONS	F.A.U. RTE.	SECTION	COUNTY	TOTAL SHEETS	SHEET NO.	
HNPA25004\Technical Production\Civil\N0	7\Microsofton\typical02.dgn	DRAWN -	REVISED -			9111	73-15TS	MADISON	64	4	
	PLOT SCALE = 20.0000' / IN.	CHECKED -	REVISED -			SCALE: NONE		SHEET NO. 1 OF 6 SHEETS		CONTRACT NO. 76B22	
	PLOT DATE = 3/14/2008	DATE -	REVISED -			STA. TO STA.		FED. ROAD DIST. NO.		ILLINOIS FED. AID PROJECT	