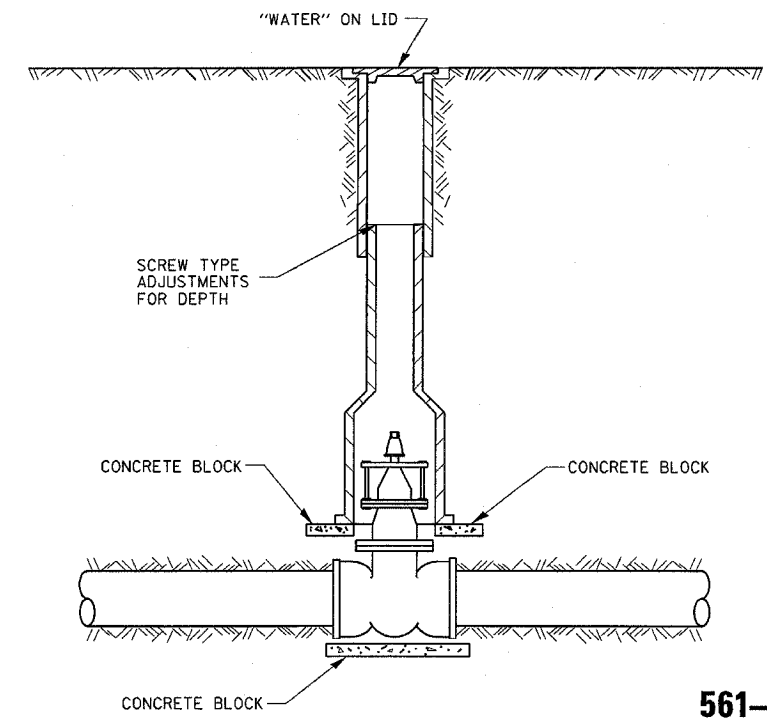
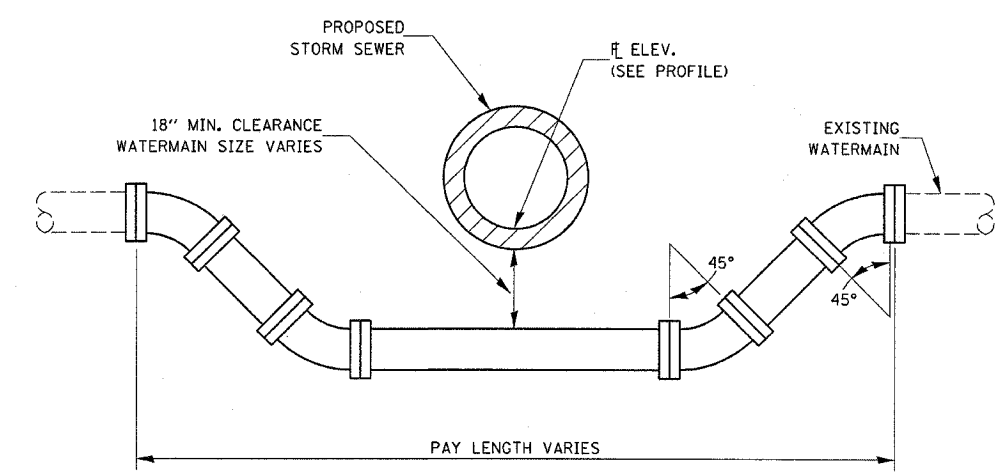


F.A.P. RTE.	SECTION	COUNTY	TOTAL SHEETS	SHEET NO.
326	(111CS) W&RS-21	GRUNDY	85	57
STA. _____		TO STA. _____		
FED. ROAD DIST. NO. _____		ILLINOIS FED. AID PROJECT		



561-3

TYPICAL VALVE BOX INSTALLATION



ADJUSTING WATERMAIN DETAIL

561-7

REVISIONS	
NAME	DATE

ILLINOIS DEPARTMENT OF TRANSPORTATION
 DISTRICT DETAILS
 IL ROUTE 47
 GRUNDY COUNTY

SCALE: NTS
 DATE: 09/2007

DRAWN BY: KHH
 CHECKED BY: FML

PLOT DATE = Feb 06, 2008 - 10:28:21 AM
 PLOT SCALE = 24.000 / IN.
 USER NAME = schneeheng