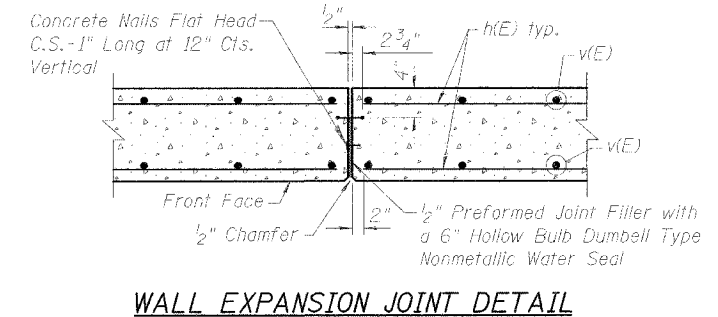
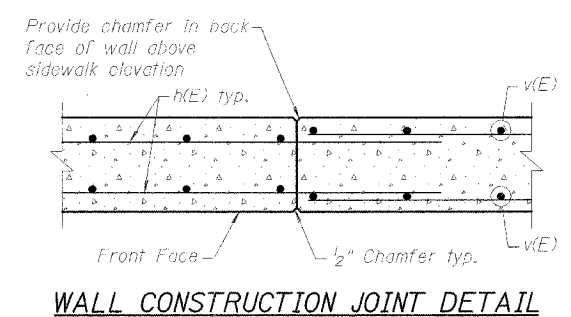
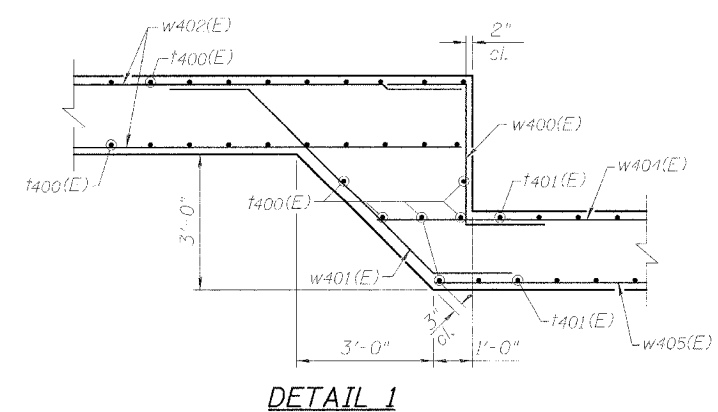
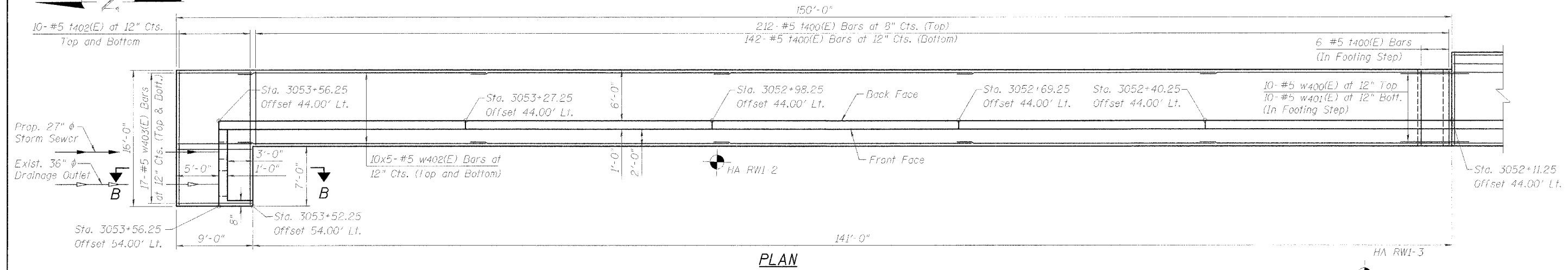
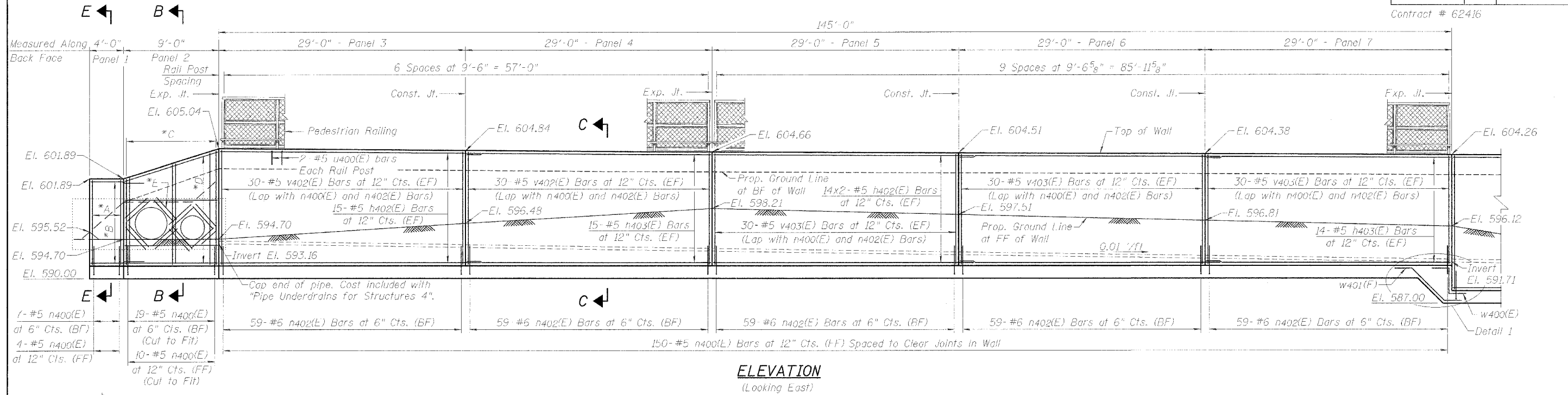


*Panel 1 - A: 4-#5 v400(E) Bars at 12" Cts. (LF)
 B: 11-#5 h400(E) Bars at 12" Cts. (EF)
 *Panel 2 - C: 10-#5 v401(E) Bars (EF) (Cut bars to fit around Pipes)
 D: 15-#5 h401(E) Bars (EF, Fan to Fit) (Cut bars to fit around Pipes)
 E: 2-#5 h405(E) Bars Around Each Pipe (EF), 32 total

STATE OF ILLINOIS
 DEPARTMENT OF TRANSPORTATION

ROUTE NO.	SECTION	COUNTY	SHEET NO.	SHEETS
338	114R-1	WILL	355	283
FED. ROAD DIST. NO. 7		ILLINOIS PROJECT		

Contract # 62416



LEGEND

Soil Boring Location

- Notes:
- For Sections B-B, C-C and E-E, see Sheet S4-3.
 - Bars Indicated thus 14x2-#5 etc. indicates 14 lines of bars with 2 lengths per line.

DESIGNED	SLC
CHECKED	MDS
DRAWN	MDS
CHECKED	SLC

PLAN AND ELEVATION
 RETAINING WALL ALONG IL ROUTE 59
 F.A.P. ROUTE 338 SECTION 114R-1
 WILL COUNTY
 STATION 3051+60.30 TO STATION 3053+56.25
 STRUCTURE NO. 099-W017