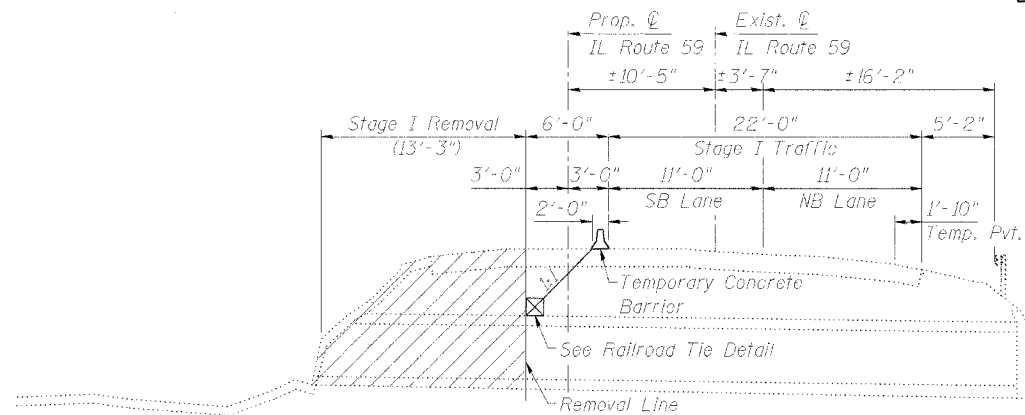


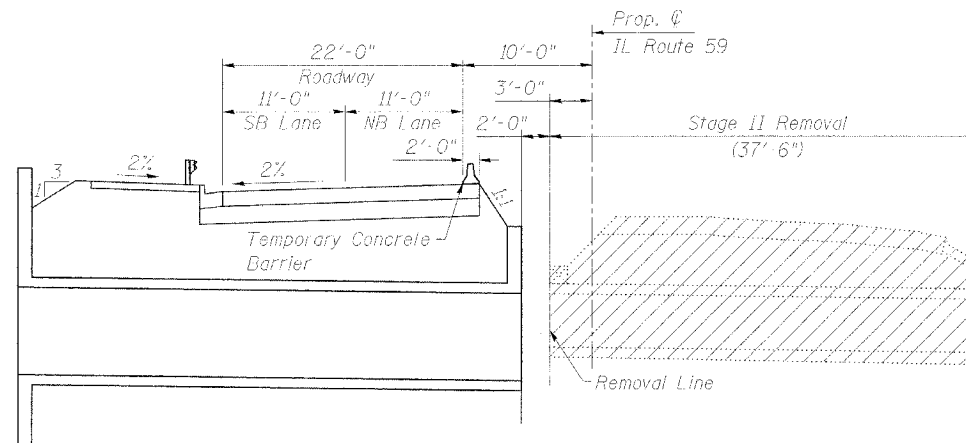
STATE OF ILLINOIS
DEPARTMENT OF TRANSPORTATION

ROUTE NO.	SECTION	COUNTY	TOTAL SHEETS	SHEET NO.
F.A.P. 338	114R-1	WILL	355	276
FED. ROAD DIST. NO. 7	ILLINOIS	FED. AID PROJECT		

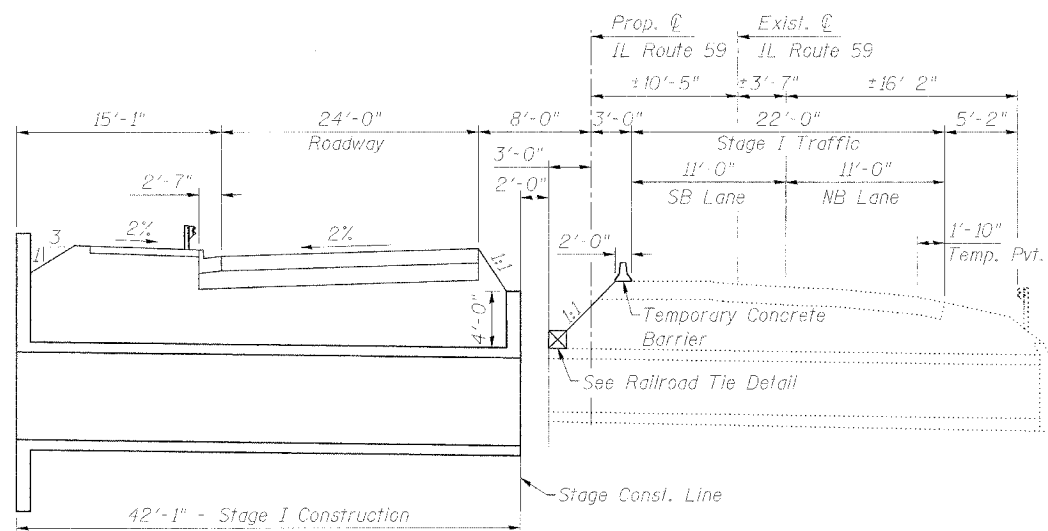
Contract # 62416



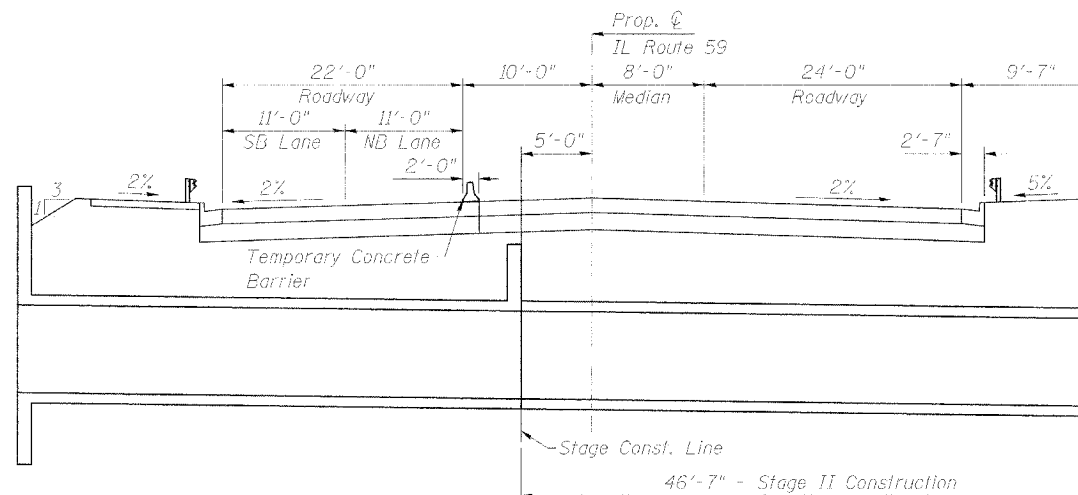
STAGE I REMOVAL
(Looking North)



STAGE II REMOVAL
(Looking North)



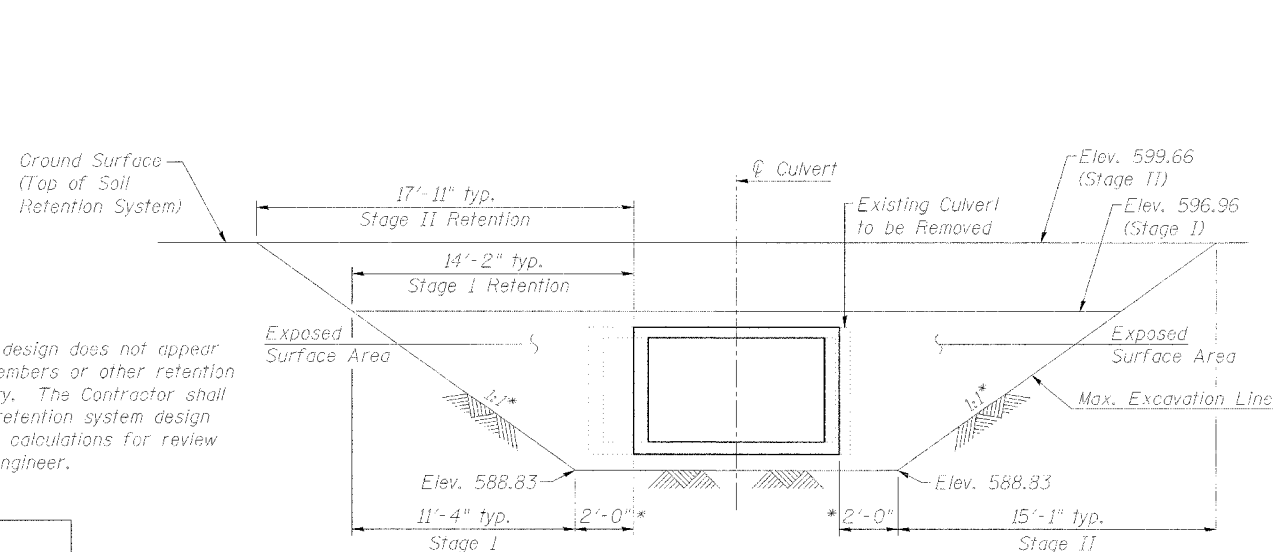
STAGE I CONSTRUCTION
(Looking North)



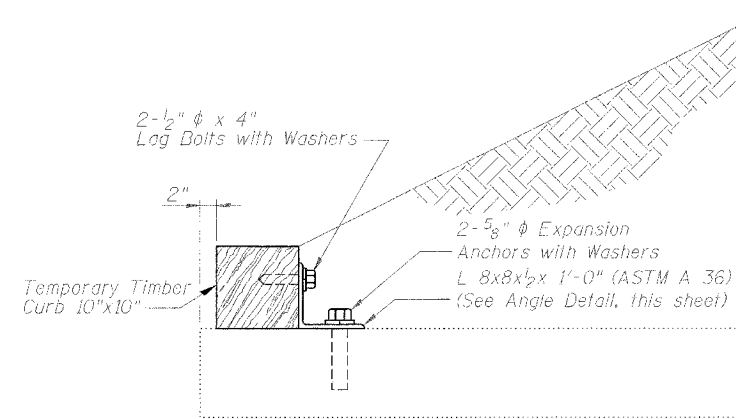
STAGE II CONSTRUCTION
(Looking North)

LEGEND

Removal of Existing Culvert and Roadway



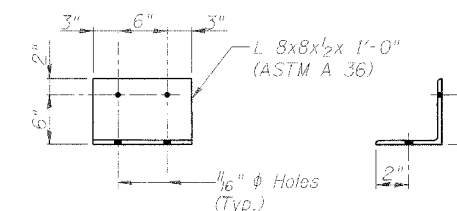
TEMPORARY SOIL RETENTION SYSTEM
(Looking East)
Slope and Distances Shown Along Skew at Stage Construction Line



RAILROAD TIE DETAIL

The L 8x8x1/2 x 1'-0" and Temporary Timber shall not be removed until Stage I Construction has been completed.

Connect one (1) L 8x8x1/2 x 1'-0" to the top of existing culvert with two (2) expansion anchors placed in two (2) holes. Angles to be positioned near each end of all timber curbs, but the outside lag bolt shall be at least 6" from end of timber. Cost included with Concrete Box Culverts.



ANGLE DETAIL

NOTE:
A cantilever sheet piling design does not appear feasible and additional members or other retention systems may be necessary. The Contractor shall submit a temporary soil retention system design including plan details and calculations for review and acceptance by the Engineer.

DESIGNED	MDS
CHECKED	SLC
DRAWN	MDS
CHECKED	SLC

CONSTRUCTION STAGING

IL ROUTE 59 OVER DRAINAGE DITCH
F.A.P. ROUTE 338 SECTION 114R-1
WILL COUNTY
STATION 3051+32.33



1051 PERIMETER DRIVE, SUITE 1025
SCHAMBERG, IL 60173-5058
TEL: (815) 605-9600
FAX: (815) 605-9610