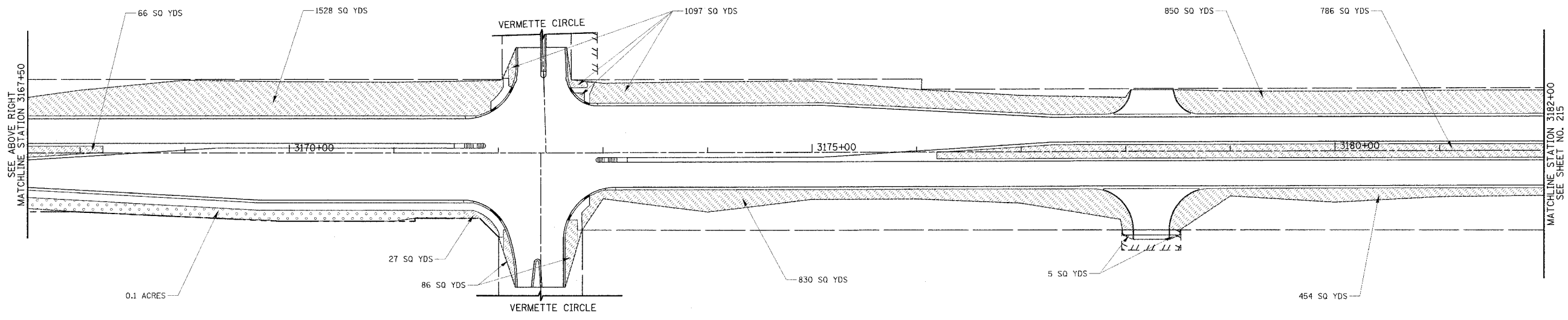
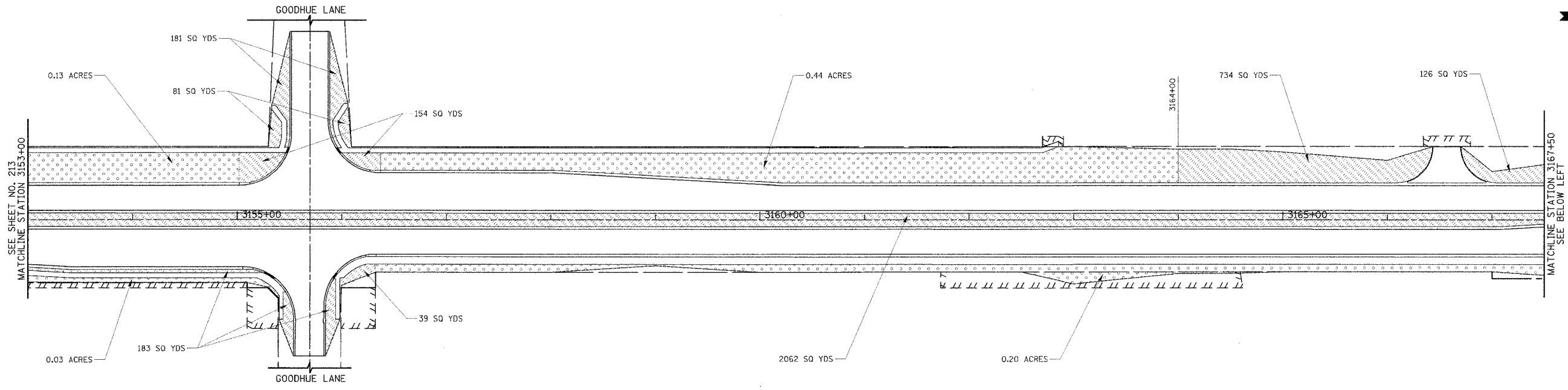


F.A.P. RTE.	SECTION	COUNTY	TOTAL SHEETS	SHEET NO.
338	114R-1	WILL	355	214
STA. 3153+00		TO STA. 3182+00		
FED. ROAD DIST. NO. 1		ILLINOIS FED. AID PROJECT		



SEE SHEET 209
FOR LEGEND

PLAN	DATE
BY	
REVISIONS	
NO.	

PROFILE	DATE
BY	
REVISIONS	
NO.	

REVISIONS	
NAME	DATE
REVISED IL 59 ALIGN.	12/22/06

ILLINOIS DEPARTMENT OF TRANSPORTATION

LANDSCAPING PLAN

ILLINOIS ROUTE 59
STATION 3153+00 TO STATION 3182+00

DATE 3/18/08
DRAWN BY MJG
CHECKED BY VJD

50 0 50
SCALE IN FEET