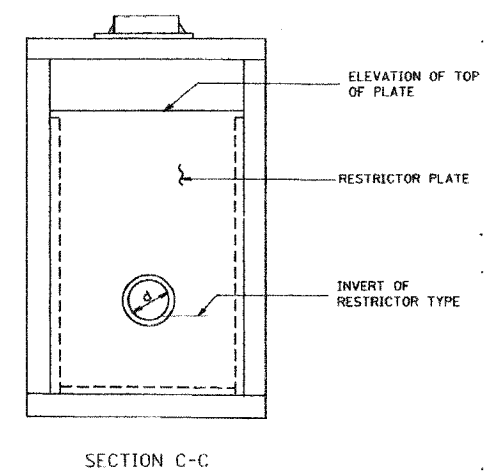
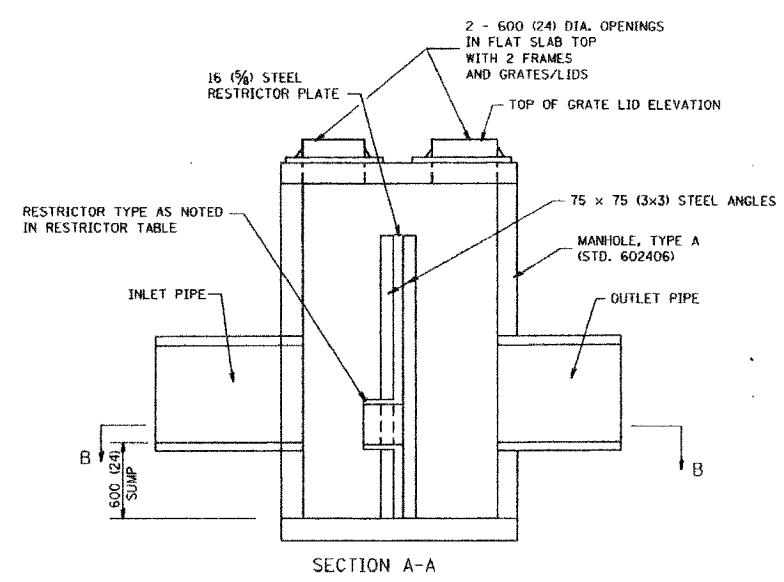
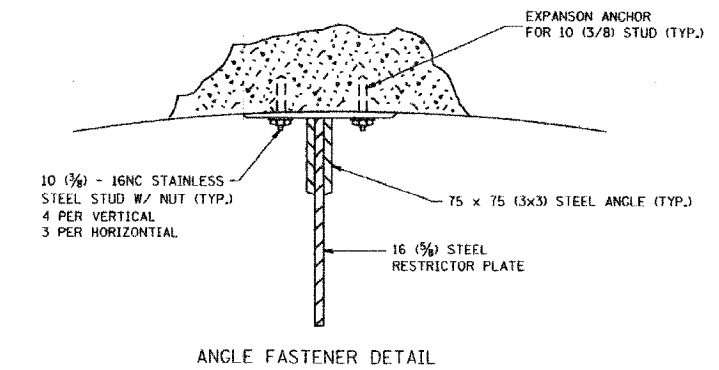
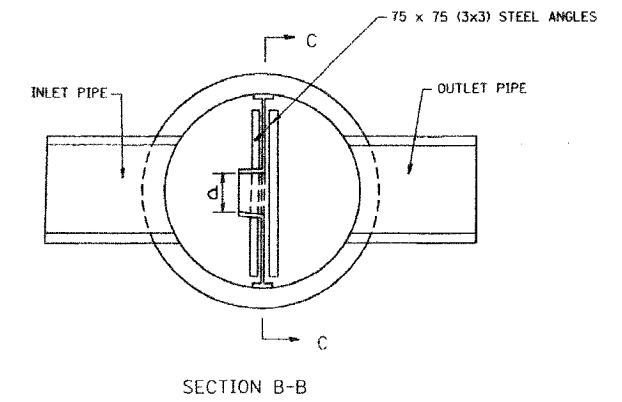
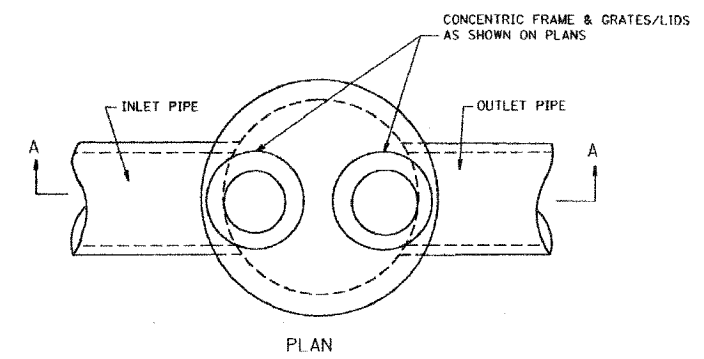
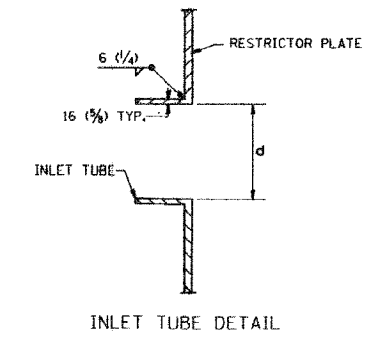


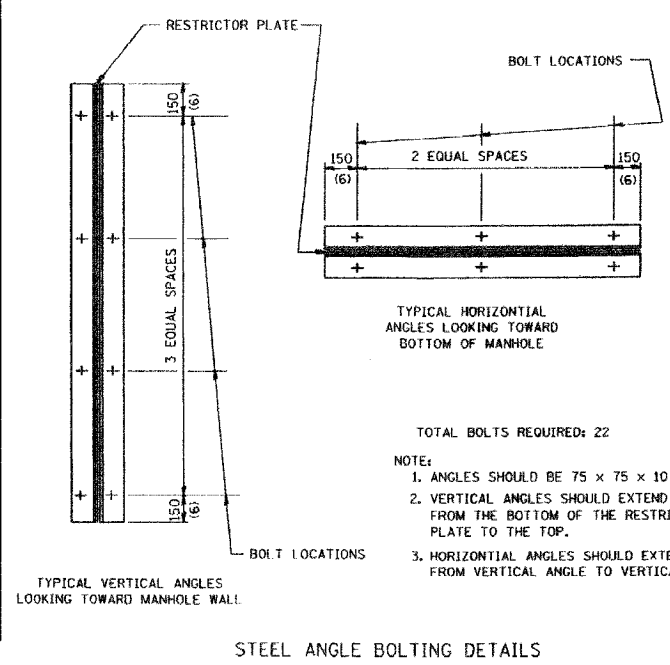
P. A. SHE.	SECTION	COUNTY	TOTAL SHEETS	SHEET NO.
			355	172
STA.		TO STA.		
FED. ROAD DIST. NO.		ALIGNED	FED. AID PROJECT	



- NOTES:
1. ALL STEEL ANGLES AND PLATES TO BE GALVANIZED AFTER FABRICATION.
  2. ALL RESTRICTOR PLATES, ANGLES AND HARDWARE TO BE INCLUDED IN THE COST OF THE MANHOLE.
  3. BASIS OF PAYMENT: "MANHOLES, TYPE A, 1.8M (6FT.) DIAMETER, TYPE 1 FRAME, CLOSED LID, RESTRICTOR PLATE" EACH



STRUCTURE NUMBER	STATION	MANHOLE DIAMETER (FT)	FRAME AND GRATE	RESTRICTOR TYPE	INSIDE RESTRICTOR DIAMETER (m) (d)	INVERT OF RESTRICTOR	ELEVATION OF TOP OF PLATE OVERFLOW
3-3	3051+25, 26.0' RT	6	2- TYPE 1F, CLOSED LID	SHARP EDGED	12	591.08	597.08
4-8	3043+09, 40.0' LT	6	2- TYPE 1F, CLOSED LID	SHARP EDGED	12.5	579.90	584.90
7-38	3082+62, 50.7' RT	7	2- TYPE 1F, CLOSED LID	SHARP EDGED	8	608.75	611.58
9-25	3093+33, 41.5' RT	6	2- TYPE 1F, CLOSED LID	SHARP EDGED	11.5	606.21	610.21
15-24	3134+40, 55.0' RT	6	2- TYPE 1F, CLOSED LID	SHARP EDGED	14	605.73	608.73
15-42	3140+20, 46.0' RT	6	2- TYPE 1F, CLOSED LID	SHARP EDGED	7.5	606.63	608.63
15-45	3140+45, 46.0' RT	6	2- TYPE 1F, CLOSED LID	SHARP EDGED	6.5	606.64	608.64
19-11	3155+05, 54.0' RT	6	2- TYPE 1F, CLOSED LID	SHARP EDGED	11	603.59	606.59
19-43	3162+90, 44.0' RT.	6	2- TYPE 1F, CLOSED LID	SHARP EDGED	10.5	602.03	604.03
19-46	3163+25, 44.0' RT	6	2- TYPE 1F, CLOSED LID	SHARP EDGED	9	602.01	604.51
21-13	3174+35, 51.8' RT	6	2- TYPE 1F, CLOSED LID	SHARP EDGED	10	599.81	602.31
23-9	3184+25, 51.5' RT	6	2- TYPE 1F, CLOSED LID	SHARP EDGED	10.5	598.73	600.73
23-22	3188+95, 57.0' RT	6	2- TYPE 1F, CLOSED LID	SHARP EDGED	7.5	596.60	599.10



RESTRICTOR TYPE					
1	2	3	4	5	6
RE-ENTRANT TUBE	SHARP EDGED	SQUARE EDGED	RE-ENTRANT TUBE	SQUARE EDGED	ROUNDED
LENGTH: 1/2 TO 1 DIA.		STREAM CLEARS SIDES	LENGTH: 2-1/2 DIA.	LENGTH: 2-1/2 DIA.	
C=.52	C=.61	C=.61	C=.73	C=.82	C=.98

VALUES OF "C" FOR CIRCULAR AND SQUARE ORIFICES

ALL DIMENSIONS ARE IN MILLIMETERS (INCHES) UNLESS OTHERWISE SHOWN.

REVISIONS	
NAME	DATE
R. SHAH	09/09/94
R. SHAH	10/25/94
E. COMEZ	08/28/00
M. COMEZ	01/08/01

ILLINOIS DEPARTMENT OF TRANSPORTATION

MANHOLE WITH RESTRICTOR PLATE

SCALE: NONE

DATE 6/4/01

DRAWN BY ESN

CHECKED BY RCB