

F.A.P. RTE.	SECTION	COUNTY	TOTAL SHEETS	SHEET NO.
338	114R-1	WILL	355	15
STA.	TO STA.			
FED. ROAD DIST. NO. 1	ILLINOIS	FED. AID PROJECT		

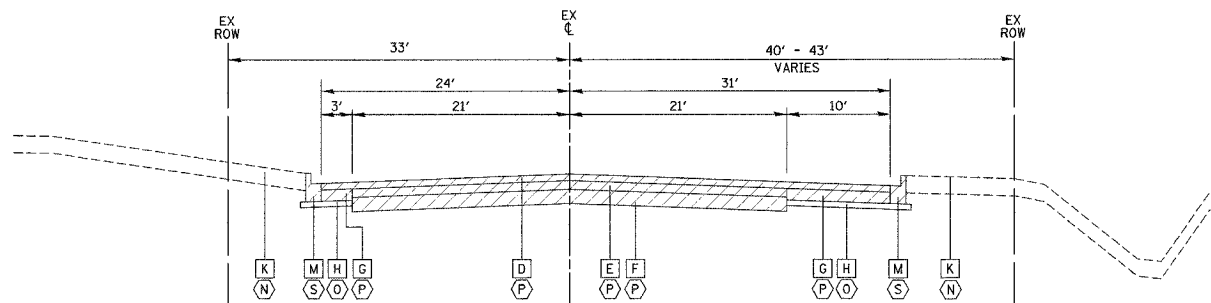
EXISTING LEGEND

- A PORTLAND CEMENT CONCRETE PAVEMENT 9"
- B HOT-MIX ASPHALT BINDER AND SURFACE COURSES 5"
- C HOT-MIX ASPHALT BINDER AND SURFACE COURSES (VARIES 2" - 5")
- D HOT-MIX ASPHALT BINDER AND SURFACE COURSES 4"
- E HOT-MIX ASPHALT SURFACE COURSE (VARIES)
- F BITUMINOUS OR PORTLAND CEMENT CONCRETE BASE COURSE (VARIES 8" - 12")
- G BITUMINOUS BASE COURSE 8"
- H SUB-BASE GRANULAR MATERIAL (VARIES 0" - 4")
- I BITUMINOUS SHOULDER (VARIES 6 1/2" - 8")
- J AGGREGATE SHOULDER (VARIES 6" - 8")
- K EXISTING TOPSOIL
- L PORTLAND CEMENT CONCRETE SIDEWALK (AT LOCATIONS NOTED IN PLANS)
- M COMBINATION CONCRETE CURB & GUTTER
- N REMOVAL AND DISPOSAL OF UNSUITABLE MATERIAL
- O EARTH EXCAVATION
- P PAVEMENT REMOVAL
- Q PAVED SHOULDER REMOVAL
- R SIDEWALK REMOVAL
- S COMBINATION CONCRETE CURB & GUTTER REMOVAL
- T RETAINING WALL (TO REMAIN)

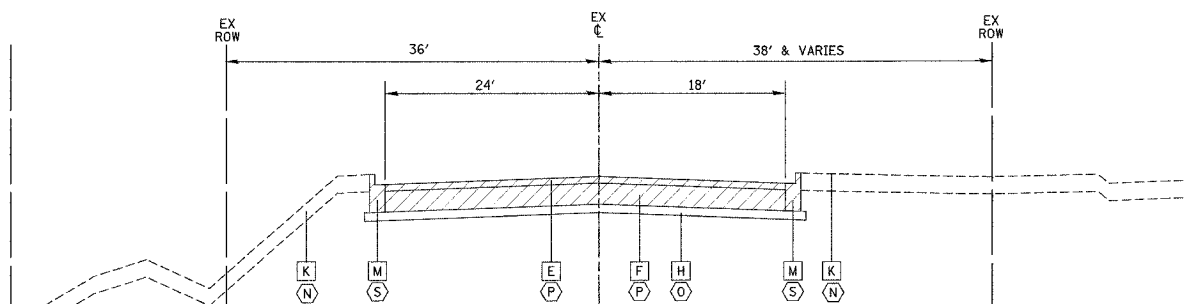
PROPOSED LEGEND

- 1 PORTLAND CEMENT CONCRETE PAVEMENT 9 3/4" (JOINTED)
- 2 AGGREGATE SUBGRADE 12"
- 3 COMBINATION CONCRETE CURB & GUTTER, TYPE B-6.12
- 4 COMBINATION CONCRETE CURB & GUTTER, TYPE B-6.24
- 5 CONCRETE MEDIAN, TYPE SB-6 (SPECIAL)/CONCRETE MEDIAN, TYPE SB-6.24 (SEE DETAIL SHEET NO.189)
- 6 NO. 6 x 24" TIE BARS (EPOXY COATED) GROUTED IN PLACE AT 24" O.C. INCLUDED IN COST OF COMBINATION CONCRETE CURB & GUTTER, STANDARD 606001.
- 7 LONGITUDINAL CONSTRUCTION JOINT GROUTED-IN-PLACE TIE BARS (EPOXY COATED) NO. 8 x 24" LONG DEFORMED TIE BARS AT 24" O.C. (STANDARD 420001) (INCLUDED IN THE COST OF CONCRETE PAVEMENT)
- 8 LONGITUDINAL SAWED JOINT - NO. 6 x 30" LONG DEFORMED TIE BARS (EPOXY COATED) AT 30" O.C. (STANDARD 420001) (INCLUDED IN THE COST OF CONCRETE PAVEMENT)
- 9 SODDING, SALT TOLERANT OR SEEDING (AS NOTED ON LANDSCAPING PLANS)
- 10 TOPSOIL FURNISH AND PLACE, 4"
- 11 TOPSOIL FURNISH AND PLACE, 8"
- 12 TOPSOIL FURNISH AND PLACE, 12"
- 13 PORTLAND CEMENT CONCRETE SIDEWALK, 5"
- 14 PIPE UNDERDRAINS, FABRIC LINED TRENCH 4"

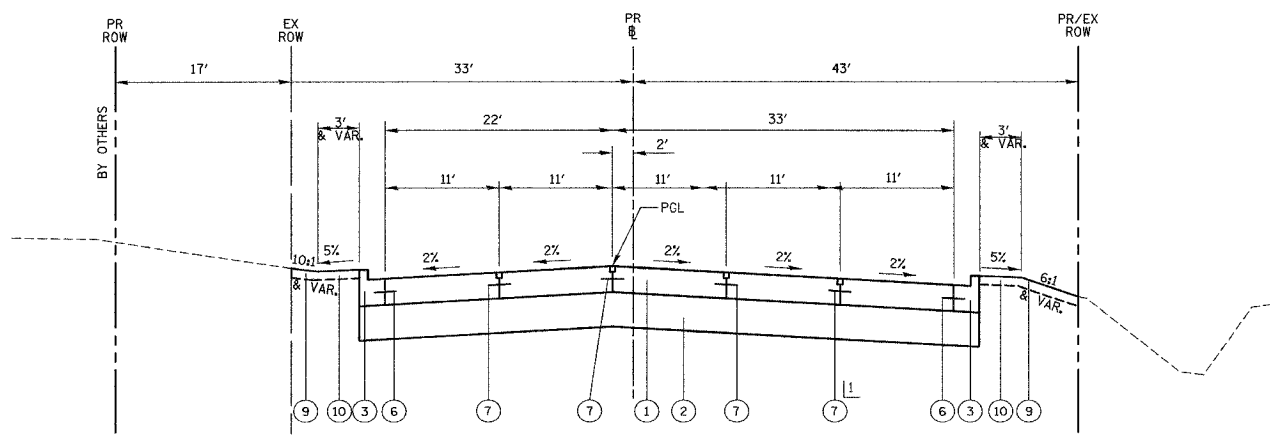
(BOXED ITEMS ARE INCLUDED IN THE COST OF ANOTHER PAY ITEM)



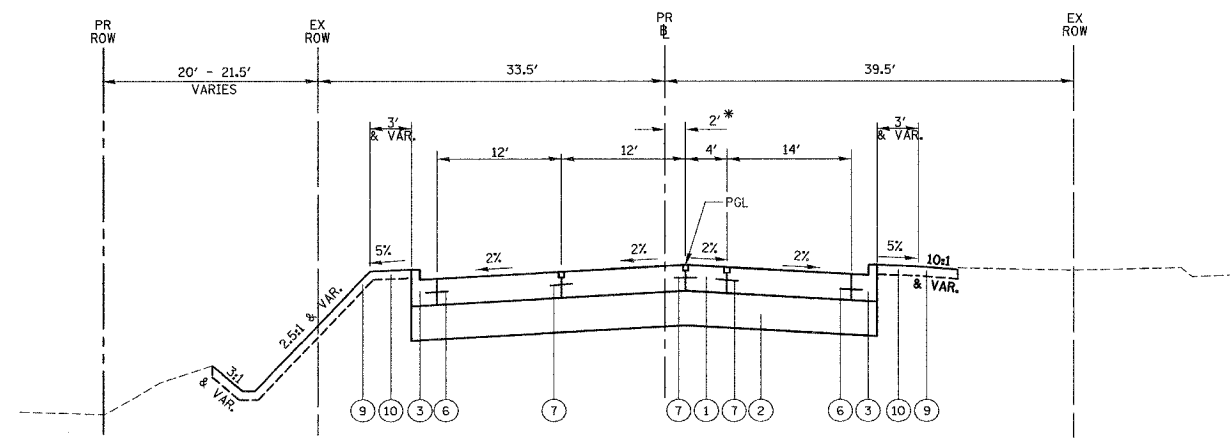
EXISTING TYPICAL SECTION
THEODORE STREET
STA. 97+45 TO STA. 98+37



EXISTING TYPICAL SECTION
THEODORE STREET
STA. 101+25 TO STA. 103+00



PROPOSED TYPICAL SECTION
THEODORE STREET
STA. 97+45 TO STA. 98+21



PROPOSED TYPICAL SECTION
THEODORE STREET
STA. 101+78 TO STA. 103+00
* VARIES BETWEEN 2' AND 0' FROM STA 102+75 TO STA 103+00

1 AT THE CONTRACTORS OPTION A LONGITUDINAL CONSTRUCTION JOINT 7 MAY BE USED

REVISIONS	
NAME	DATE
REVISED IL59 ALIGN.	12/22/06

ILLINOIS DEPARTMENT OF TRANSPORTATION
TYPICAL SECTIONS
THEODORE STREET

DATE 3/18/08
DRAWN BY MJG
CHECKED BY VJD
SCALE: NONE