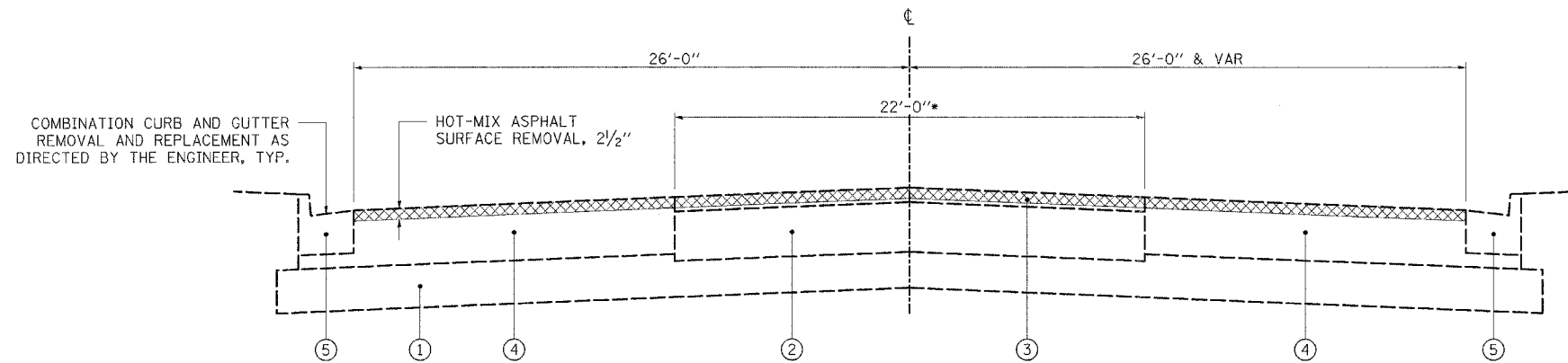


EXISTING TYPICAL SECTION SHERIDAN ROAD

STA 14+46 TO STA 22+25

* WIDTH OF PCC PAVEMENT BASED ON RECORD DRAWINGS. CONTRACTOR SHALL VERIFY IN FIELD.

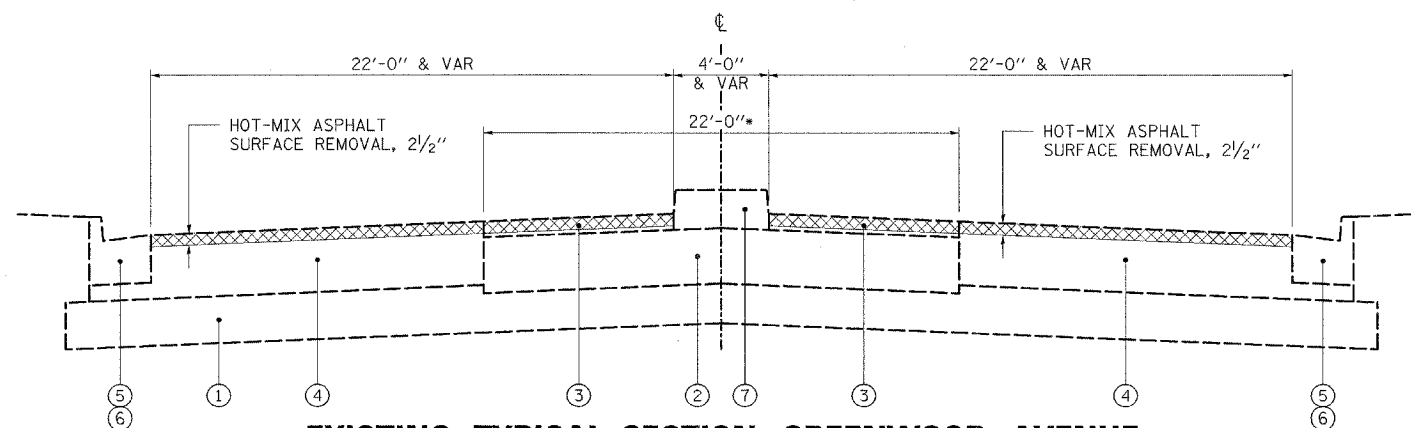


EXISTING TYPICAL SECTION SHERIDAN ROAD

STA 22+25 TO STA 71+27

LEGEND

- ① EXISTING AGGREGATE BASE COURSE
- ② EXISTING PCC PAVEMENT, 14"
- ③ EXISTING HOT-MIX ASPHALT PAVEMENT, 4" (BEFORE SURFACE REMOVAL)
- ④ EXISTING HOT-MIX ASPHALT PAVEMENT, 16" (BEFORE SURFACE REMOVAL)
- ⑤ EXISTING COMBINATION CURB AND GUTTER, TYPE B-6.24
- ⑥ EXISTING COMBINATION CURB AND GUTTER, TYPE B-6.12
- ⑦ EXISTING MEDIAN
- ⑧ PROPOSED POLYMERIZED LEVELING BINDER (MACHINE METHOD), IL-4.75, N50, 3/4"
- ⑨ PROPOSED POLYMERIZED HOT-MIX ASPHALT SURFACE COURSE, "MIX F", N90, 1 3/4"



EXISTING TYPICAL SECTION GREENWOOD AVENUE

STA 16+08 TO STA 22+04

PLOT DATE = 5/22/2008
 FILE NAME = K:\11225508\1\Sheridan\11225508%EXTYPICAL.dgn
 USER = jmc
 MODEL = Defaul.t



Excellence through Ownership

200 West Front Street
 Wheaton, IL 60187

DESIGNED - LCM	REVISED -
DRAWN - LCM	REVISED -
CHECKED - BLB	REVISED -
DATE - 5/23/08	REVISED -

**STATE OF ILLINOIS
 DEPARTMENT OF TRANSPORTATION**

**IL ROUTE 137 (GREENWOOD AVE. - BLANCHARD RD.)
 EXISTING TYPICAL SECTIONS**

SCALE: SHEET NO. OF SHEETS STA. TO STA.

F.A.P. RTE.	SECTION	COUNTY	TOTAL SHEETS	SHEET NO.
352	(E, M, D) RS-6	LAKE	21	4
CONTRACT NO. 60E56				
FED. ROAD DIST. NO. 1 ILLINOIS FED. AID PROJECT				