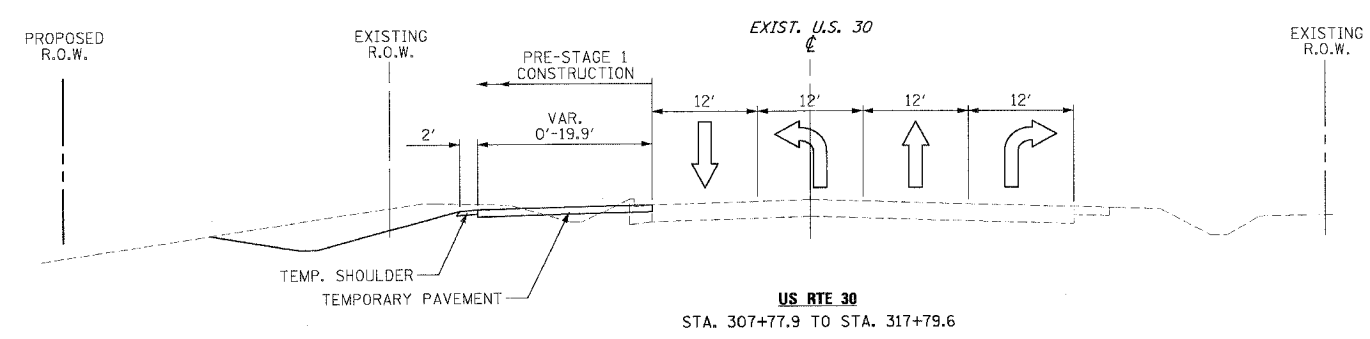
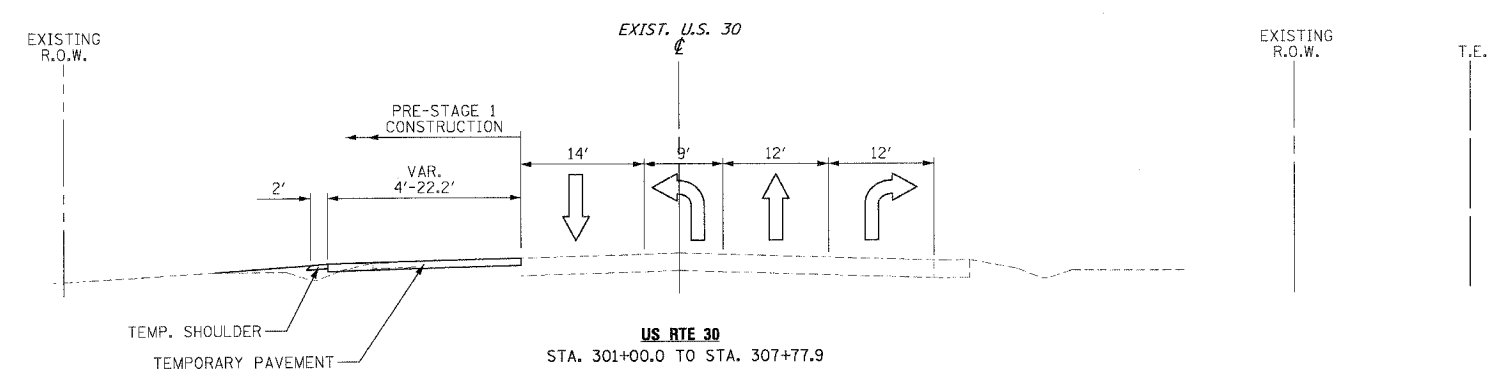
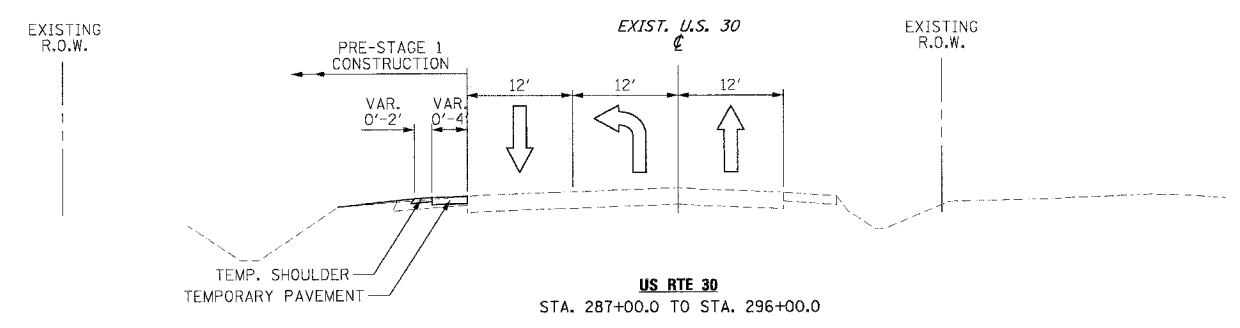
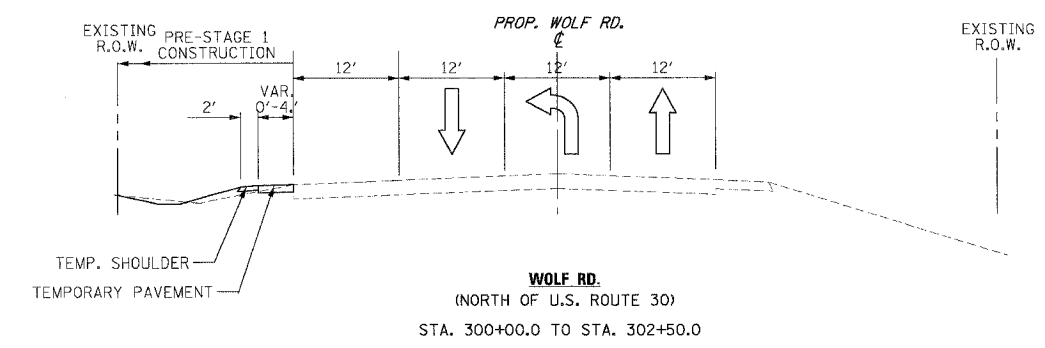
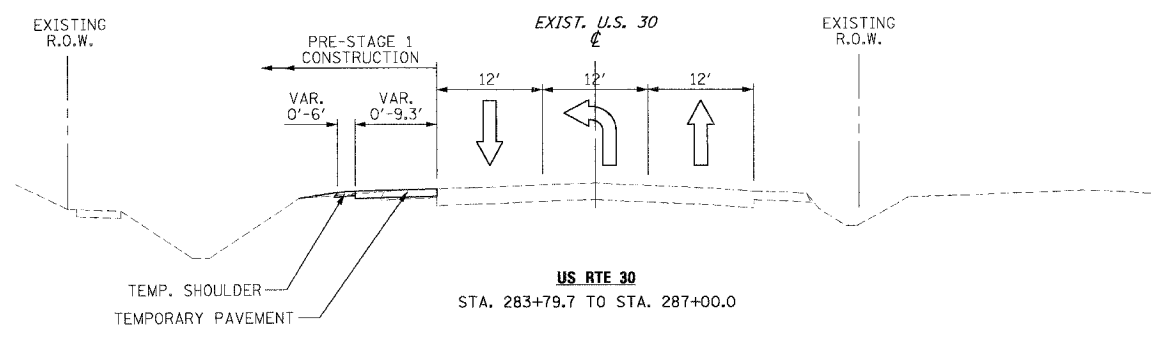


F.A.P. RTE.	SECTION	COUNTY	TOTAL SHEETS	SHEET NO.
353	12R - 4	WILL	199	34
STA.		TO STA.		
FED. ROAD DIST. NO.		ILLINOIS	FED. AID PROJECT	



REVISIONS		ILLINOIS DEPARTMENT OF TRANSPORTATION MAINTENANCE OF TRAFFIC PRE-STAGE 1 U.S. RTE. 30 (LINCOLN HIGHWAY)
NAME	DATE	

SCALE : 1" = 50'
DATE : 03/21/2008
DRAWN BY : BEC
CHECKED BY :