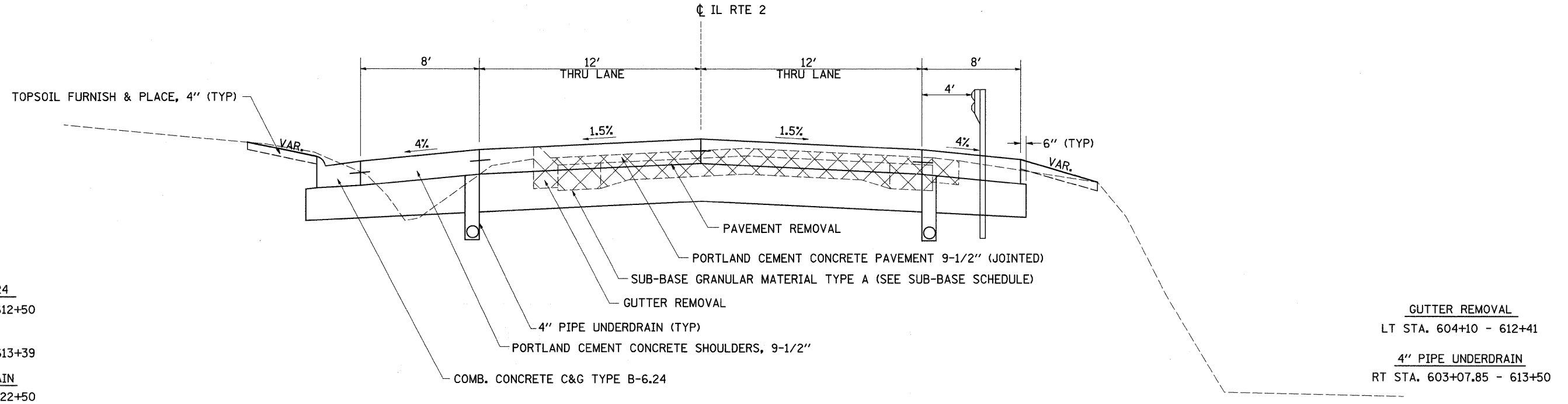


# TYPICAL SECTIONS

STA. 612+05 - 614+56



CC&G, TYPE B-6.24

LT STA. 604+13 - 612+50

DITCH

LT STA. 613+00 - 613+39

4" PIPE UNDERDRAIN

LT STA. 611+00 - 622+50

GUTTER REMOVAL

LT STA. 604+10 - 612+41

4" PIPE UNDERDRAIN

RT STA. 603+07.85 - 613+50

PROTECTIVE COAT:

IF CURB AND GUTTER OR PCC PAVEMENT IS CONSTRUCTED AFTER OCTOBER 15TH AND THE ROAD WILL BE OPEN TO TRAFFIC PRIOR TO THE FOLLOWING APRIL 15TH, PROTECTIVE COAT SHALL BE INSTALLED.

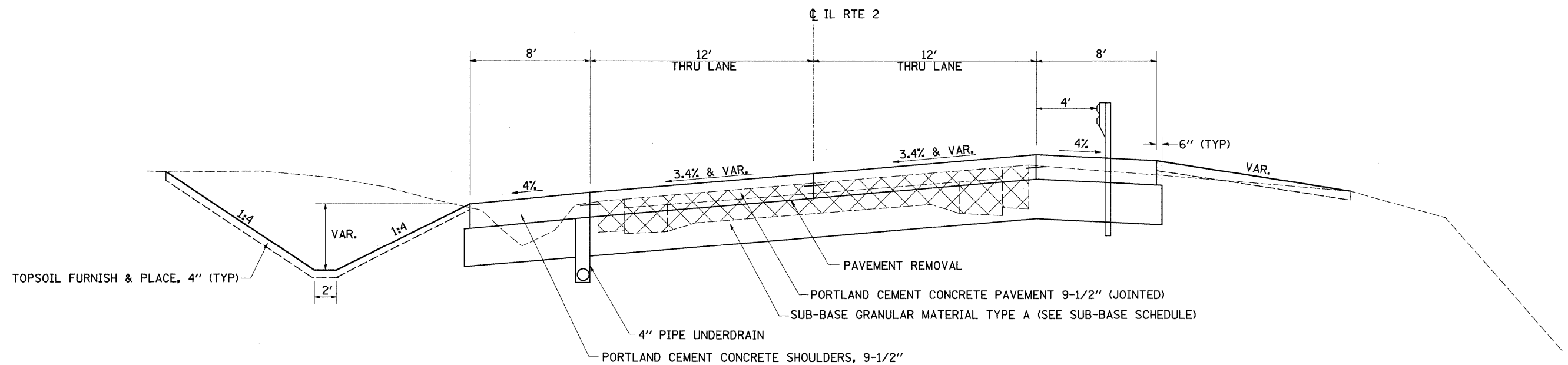
STEEL PLATE BEAM GUARDRAIL, TYPE A, 6' POSTS

RT STA. 604+50 - 614+87.50

RT STA. 615+56.25 - 626+31.25

(SEE SCHEDULE OF QUANTITIES FOR TYPE B AND ATTACHED TO STRUCTURES)

STA. 614+56 - 621+35 S.E.=3.4%



FILE NAME =	USER NAME = cushmanbw	DESIGNED -	REVISED -
ct:\pw_work\VPWIDOT\CUSHMANBW\dms34123\6486typ69.dgn		DRAWN -	REVISED -
PLOT SCALE = 50.0000' / IN.		CHECKED -	REVISED -
PLOT DATE = Thu Apr 30 14:52:10 2009		DATE -	REVISED -

STATE OF ILLINOIS  
DEPARTMENT OF TRANSPORTATION

## TYPICAL SECTIONS

SCALE: SHEET NO. OF SHEETS STA. TO STA.

F.A.P. RTE. 742	SECTION 37R-3	COUNTY OGLE	TOTAL SHEETS 345	SHEET NO. 14
FED. ROAD DIST. NO. ILLINOIS FED. AID PROJECT			CONTRACT NO. 84788	