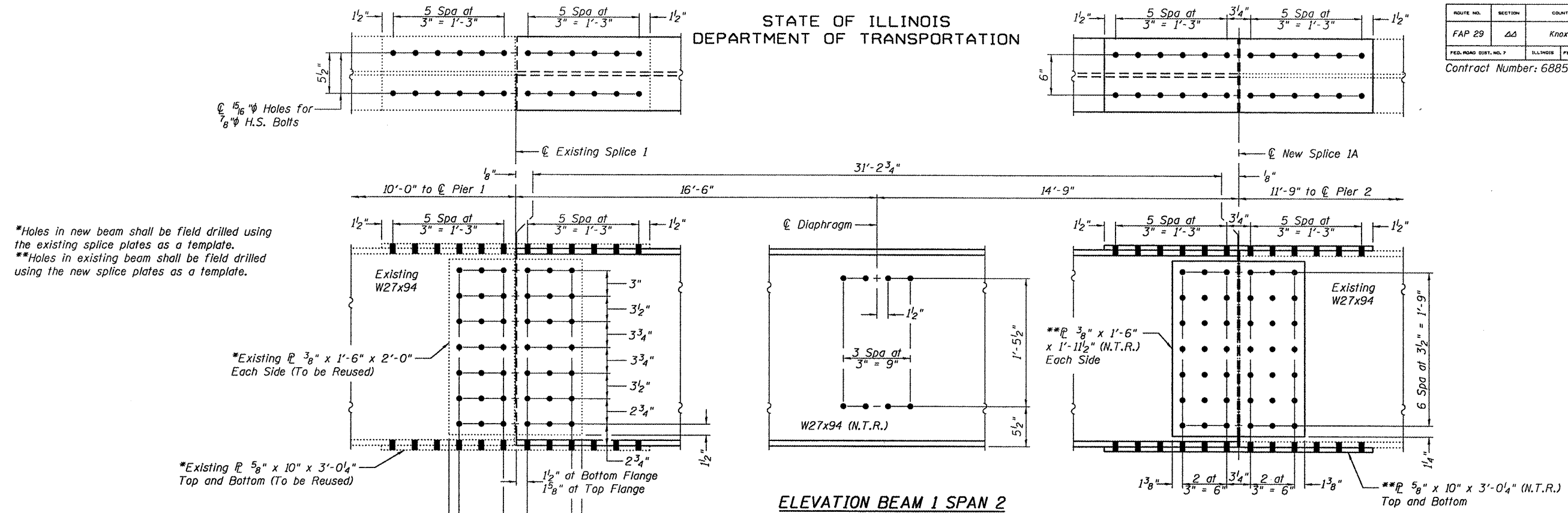
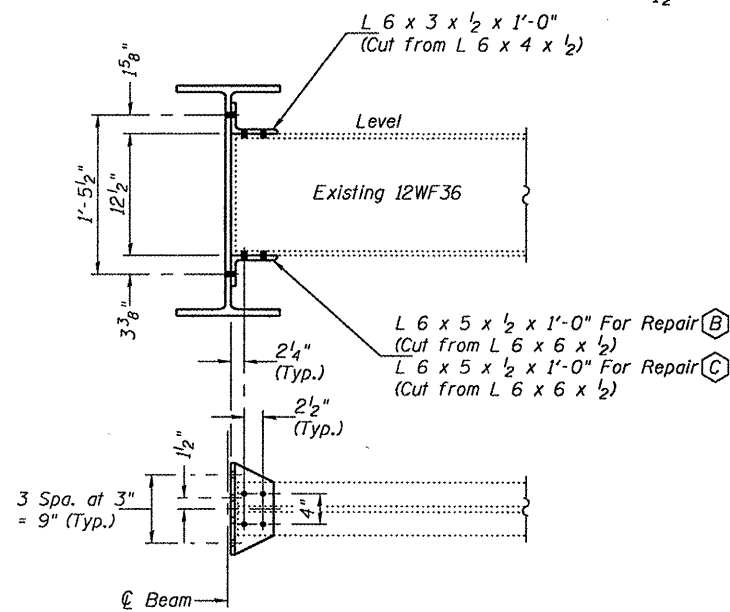


STATE OF ILLINOIS  
DEPARTMENT OF TRANSPORTATION

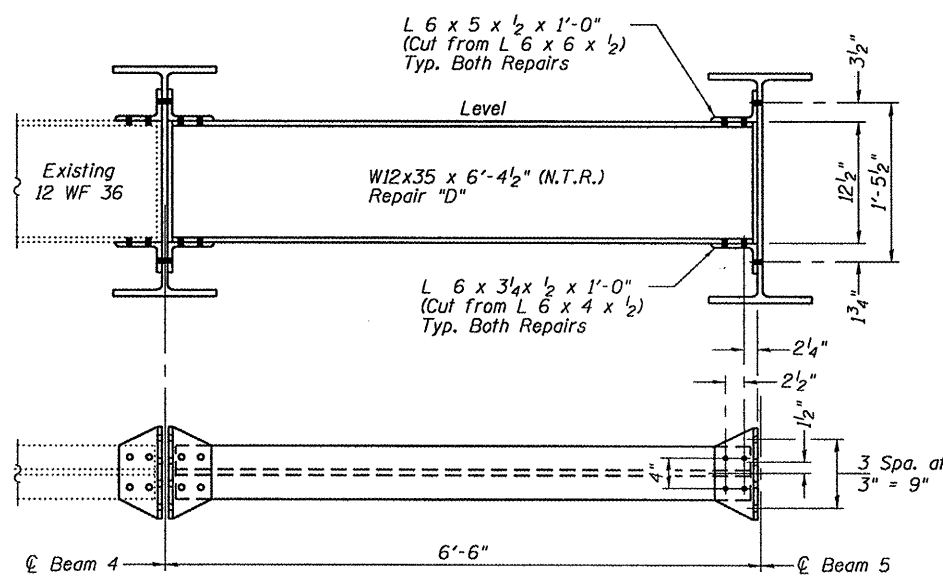
ROUTE NO.	SECTION	COUNTY	TOTAL SHEETS	SHEET NO.
FAP 29	ΔΔ	Knox	16	12
SHEET NO. 4 8 SHEETS				
Contract Number: 68856 ΔΔ (21-HB-2)I-4				



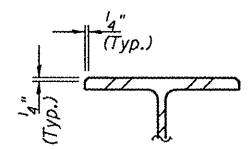
ELEVATION BEAM 1 SPAN 2



REPAIRS (B) AND (C)



REPAIRS (D) AND (E)



SECTION A-A

DESIGNED	V.H.V.	EXAMINED	June 18, 2009 <i>Carl Perry</i> ENGINEER OF STRUCTURAL SERVICES
CHECKED	A.J.B.	PASSED	<i>Ralph E. Anderson</i> ENGINEER OF BRIDGES AND STRUCTURES
DRAWN	Drew Christopher		
CHECKED	V.H.V. A.J.B.		

BEAM DETAILS  
F.A. ROUTE 29  
KNOX COUNTY  
S.N. 048-0065