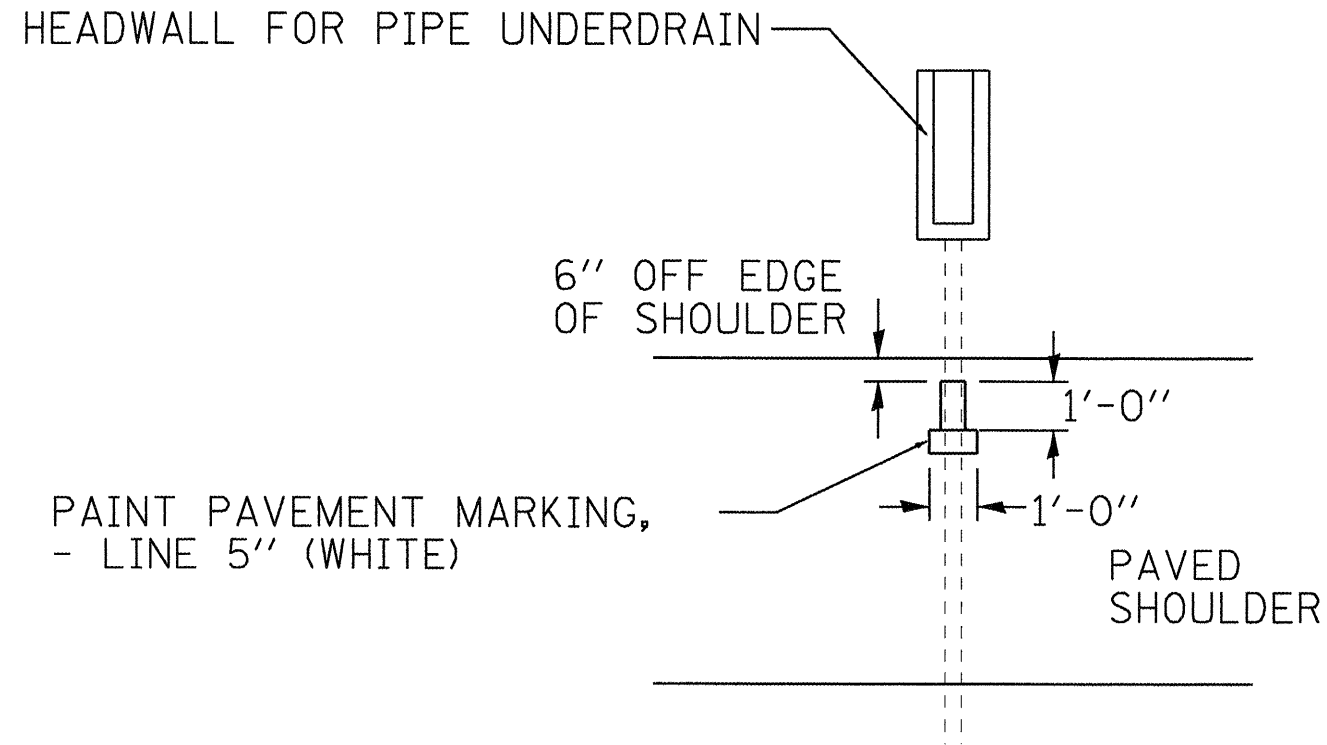


# TYPICAL PIPE UNDERDRAIN MARKER DETAIL



OUTLET MARKERS SHALL BE PLACED ON FINAL SHOULDER

• 86-10RS-3, 69-6RS-2, 69-1RS  
•• SCOTT, MORGAN

FILE NAME = c:\pwwork\PMIDOT\LAUGHLIN\102196700\	USER NAME = laughlinr1 672A16-Shr-details.dgn	DESIGNED - DRAWN -	REVISED - REVISED -	STATE OF ILLINOIS DEPARTMENT OF TRANSPORTATION	TYPICAL PIPE UNDERDRAIN MARKER DETAIL	F.A.I. RTE. 72	SECTION •	COUNTY ••	TOTAL SHEETS 48	SHEET NO. 47
PLOT SCALE = 100.0000' / IN. PLOT DATE = Apr-06-2010 10:31:02AM		CHECKED - DATE -	REVISED - REVISED -	SCALE:      SHEET NO.      OF SHEETS      STA.      TO STA.		FED. ROAD DIST. NO.      ILLINOIS FED. AID PROJECT      CONTRACT NO. 72A16				

