

## **INSTRUCTIONS**

**ABOUT IDOT PROPOSALS:** All proposals are potential bidding proposals. Each proposal contains all certifications and affidavits, a proposal signature sheet and a proposal bid bond.

### **PREQUALIFICATION**

Any contractor who desires to become pre-qualified to bid on work advertised by IDOT must submit the properly completed pre-qualification forms to the Bureau of Construction no later than 4:30 p.m. prevailing time twenty-one days prior to the letting of interest. This pre-qualification requirement applies to first time contractors, contractors renewing expired ratings, contractors maintaining continuous pre-qualification or contractors requesting revised ratings. To be eligible to bid, existing pre-qualification ratings must be effective through the date of the letting.

### **WHO CAN BID?**

Bids will be accepted from only those companies that request and receive written Authorization to Bid from IDOT's Central Bureau of Construction.

### **REQUESTS FOR AUTHORIZATION TO BID**

Contractors wanting to bid on items included in a particular letting must submit the properly completed "Request for Authorization to Bid/or Not For Bid Status" (BDE 124) and the ORIGINAL "Affidavit of Availability: (BC 57) to the proper office no later than 4:30 p.m. prevailing time, three (3) days prior to the letting date.

**WHAT CONSTITUTES WRITTEN AUTHORIZATION TO BID?:** When a prospective prime bidder submits a "Request for Authorization to Bid or Not for Bid Status" (BDE 124) he/she must indicate at that time which items are being requested For Bidding purposes. Only those items requested For Bidding will be analyzed. After the request has been analyzed, the bidder will be issued an **Authorization to Bid or Not for Bid Report**, approved by the Central Bureau of Construction and the Chief Procurement Officer that indicates which items have been approved For Bidding. If **Authorization to Bid** cannot be approved, the **Authorization to Bid or Not for Bid Report** will indicate the reason for denial.

**ABOUT AUTHORIZATION TO BID:** Firms that have not received an Authorization to Bid or Not For Bid Report within a reasonable time of complete and correct original document submittal should contact the department as to the status. Firms unsure as to authorization status should call the Prequalification Section of the Bureau of Construction at the number listed at the end of these instructions. These documents must be received three days before the letting date.

**ADDENDA AND REVISIONS:** It is the bidder's responsibility to determine which, if any, addenda or revisions pertain to any project they may be bidding. Failure to incorporate all relevant addenda or revisions may cause the bid to be declared unacceptable.

Each addendum or revision will be included with the Electronic Plans and Proposals. Addenda and revisions will also be placed on the Addendum/Revision Checklist and each subscription service subscriber will be notified by e-mail of each addendum and revision issued.

The Internet is the Department's primary way of doing business. The subscription server e-mails are an added courtesy the Department provides. It is suggested that bidders check IDOT's website at <http://www.idot.illinois.gov/doing-business/procurements/construction-services/construction-bulletins/transportation-bulletin/index> before submitting final bid information.

### ***IDOT IS NOT RESPONSIBLE FOR ANY E-MAIL FAILURES.***

Addenda questions may be directed to the Contracts Office at (217)782-7806 or [DOT.D&Econtracts@illinois.gov](mailto:DOT.D&Econtracts@illinois.gov).

Technical questions about downloading these files may be directed to Tim Garman at (217)524-1624 or [Timothy.Garman@illinois.gov](mailto:Timothy.Garman@illinois.gov).

## **BID SUBMITTAL GUIDELINES AND CHECKLIST**

- All pages should be single sided.
- Use the Cover Page that is provided in the Bid Proposal (posted on the IDOT Web Site) as the first page of your submitted bid. It has the Item number in large bold type in the upper left-hand corner of the page.
- Do not use report covers, presentation folders or special bindings and do not staple multiple times on left side like a book. Use only 1 staple in the upper left hand corner.
- Do not include any certificates of eligibility, your authorization to bid, Addendum Letters or affidavit of availability.
- Do not include the Subcontractor Documentation with your bid (pages 30-38).
- Use the envelope cover sheet (provided with the proposal) as the cover for the proposal envelope.
- Do not rely on overnight services to deliver your proposal prior to 10 AM on letting day. It will not be read if it is delivered after 10 AM.
- Do not submit your Substance Abuse Prevention Program (SAPP) with your bid. If you are awarded the contract this form is to be submitted to the Division Construction Engineer at the pre-construction conference.

## **BID SUBMITTAL CHECKLIST**

**Cover page** (the sheet that has the item number on it) – This should be the first page of your proposal, **followed by your bid (the Pay Items)**. If you are using special software or CBID to generate your schedule of prices, do not include the blank schedule of prices that came with the proposal package.

**Page 4 (Item 9)** - Check “YES” if you will use a subcontractor(s) with an annual value over \$50,000. Include the subcontractor(s) name, address, general type of work to be performed and the dollar amount. If you will use subcontractor(s) but are uncertain who or the dollar amount; check “YES” but leave the lines blank.

**After Page 4** – Insert the following documents: Cost Adjustments for Steel, Bituminous, and Fuel (if applicable) and the Contractor Letter of Assent (if applicable). The general rule should be, if you don’t know where it goes, put it after page 4.

**Page 10 (Paragraph J)** - Check “YES” or “NO” whether your company has any business in Iran.

**Page 10 (Paragraph K)** – (Not applicable to federally funded projects) List the name of the apprenticeship and training program sponsor holding the certificate of registration from the US Department of Labor. If no applicable program exists, please indicate the work/job category. **Your bid will not be read if this is not completed.** Do not include certificates with your bid. Keep the certificates in your office in case they are requested by IDOT.

**Page 11 (Paragraph L)** – A copy of your State Board of Elections certificate of registration is no longer required with your bid.

**Page 11 (Paragraph M)** – Indicate if your company has hired a lobbyist in connection with the job for which you are submitting the bid proposal.

**Page 12 (Paragraph C)** - This is a work sheet to determine if a completed Form A is required. It is not part of the form and you do not need to make copies for each completed Form A.

**Pages 14-17 (Form A)** - One Form A (4 pages) is required for each applicable person in your company. Copies of the Forms can be used and only need to be changed when the financial information changes. The certification signature and date must be original for each letting. **Do not staple the forms together.** If you answered “NO” to all of the questions in Paragraph C (page 12), complete the first section (page 14) with your company information and then sign and date the Not Applicable statement on page 17.

**Page 18 (Form B)** - If you check “YES” to having other current or pending contracts it is acceptable to use the phrase, “See Affidavit of Availability on file”. **Ownership Certification** (at the bottom of the page) – Check N/A if the Form A you submitted accounts for 100 percent of the company ownership. Check YES if any percentage of ownership falls outside of the parameters that require reporting on the Form A. Checking NO indicates that the Form A you submitted is not correct and you will be required to submit a revised Form A.

**Pages 20-21 (Workforce Projection)** - Be sure to include the Duration of the Project. It is acceptable to use the phrase “Per Contract Specifications”.

**Proposal Bid Bond** – (After the Proposal Signature Page) Submit your proposal bid bond (if applicable) using the current Bid Bond Form provided in the proposal package. The Power of Attorney page should be stapled to the Bid Bond. If you are using an electronic bond, include your bid bond number on the form and attach the Proof of Insurance printed from the Surety 2000 Web Site.

**Disadvantaged Business Utilization Plan and/or Good Faith Effort** - The last item in your bid should be the DBE Utilization Plan (SBE 2026), followed by the DBE Participation Statement (SBE 2025) and supporting paperwork. If you have documentation for a Good Faith Effort, it should follow the SBE Forms.

# 5A

## RETURN WITH BID

Proposal Submitted By	
Name	
Address	
City/State	9 Digit Zip Code
Telephone No.	Fax No.
Federal Employer Identification No. (FEIN)	
Email Address	

**Letting July 29, 2016**

### NOTICE TO PROSPECTIVE BIDDERS

This proposal can be used for bidding purposes by only those companies that request and receive written AUTHORIZATION TO BID from IDOT's Central Bureau of Construction. BIDDERS NEED NOT RETURN THE ENTIRE PROPOSAL

# Notice to Bidders, Specifications, Proposal, Contract and Contract Bond



Illinois Department of Transportation  
DIVISION OF AERONAUTICS

Contract No. FR040  
Albertus Airport  
Freeport, Illinois  
Stephenson County  
Illinois Project No. FEP-4296  
SBG Project No. 3-17-SBGP-XX

For engineering information, contact D. Kyle Peabody, P.E. of Crawford, Murphy & Tilly, Inc. at (630) 820-1022.

FAA rules prohibit the use of escalation clauses for materials. Therefore, the Division of Aeronautics cannot offer any material cost adjustment provisions for projects that utilize Federal funds.

PLEASE MARK THE APPROPRIATE BOX BELOW:

- A Bid Bond is included.
- A Cashier's Check or a Certified Check is included.
- An Annual Bid Bond is included or is on file with IDOT



**Illinois Department  
of Transportation**

**PROPOSAL**

TO THE DEPARTMENT OF TRANSPORTATION

1. Proposal of \_\_\_\_\_  
\_\_\_\_\_

Taxpayer Identification Number (Mandatory) \_\_\_\_\_

For the improvement identified and advertised for bids in the Invitation for Bids as:

**Contract No. FR040  
Albertus Airport  
Freeport, Illinois  
Stephenson County  
Illinois Project No. FEP-4296  
SBG Project No. 3-17-SBGP-XX**

**Rehabilitate Runway 6/24**

2. The undersigned bidder will furnish all labor, material and equipment to complete the above described project in a good workmanlike manner as provided in the contract documents provided by the Department of Transportation. This proposal will become part of the contract and the terms and conditions contained in the contract documents shall govern performance and payments.

3. **ASSURANCE OF EXAMINATION AND INSPECTION/WAIVER.** The undersigned bidder further declares that he/she has carefully examined the proposal, plans, specifications, addenda, form of contract and contract bond, and special provisions, and that he/she has inspected in detail the site of the proposed work, and that he/she has familiarized themselves with all of the local conditions affecting the contract and the detailed requirements of construction, and understands that in making this bid proposal he/she waives all right to plead any misunderstanding regarding the same.
4. **EXECUTION OF CONTRACT AND CONTRACT BOND.** The undersigned bidder further agrees to execute a contract for this work and present the same to the department within fifteen (15) days after the contract has been mailed to him/her. The undersigned further agrees that he/she and his/her surety will execute and present within fifteen (15) days after the contract has been mailed to him/her contract bond satisfactory to and in the form prescribed by the Department of Transportation, in the penal sum of the full amount of the contract, or as specified in the special provisions, guaranteeing the faithful performance of the work in accordance with the terms of the contract.
5. **PROPOSAL GUARANTY.** Accompanying this proposal is either a bid bond on the department form, executed by a corporate surety company satisfactory to the department, or a proposal guaranty check consisting of a bank cashier's check or a properly certified check for not less than 5 per cent of the amount bid or for the amount specified in the following schedule:

<u>Amount of Bid</u>		<u>Proposal Guaranty</u>	<u>Amount of Bid</u>		<u>Proposal Guaranty</u>
Up to	\$5,000	\$150	\$2,000,000	to	\$3,000,000
\$5,000	to	\$300	\$3,000,000	to	\$5,000,000
\$10,000	to	\$1,000	\$5,000,000	to	\$7,500,000
\$50,000	to	\$3,000	\$7,500,000	to	\$10,000,000
\$100,000	to	\$5,000	\$10,000,000	to	\$15,000,000
\$150,000	to	\$7,500	\$15,000,000	to	\$20,000,000
\$250,000	to	\$12,500	\$20,000,000	to	\$25,000,000
\$500,000	to	\$25,000	\$25,000,000	to	\$30,000,000
\$1,000,000	to	\$50,000	\$30,000,000	to	\$35,000,000
\$1,500,000	to	\$75,000	over		\$35,000,000

Bank cashier's checks or properly certified checks accompanying proposals will be made payable to the Treasurer, State of Illinois.

If a combination bid is submitted, the proposal guaranties which accompany the individual proposals making up the combination will be considered as also covering the combination bid.

The amount of the proposal guaranty check is \_\_\_\_\_ \$(\_\_\_\_\_). If this proposal is accepted and the undersigned will fail to execute contract bond as required herein, it is hereby agreed that the amount of the proposal guaranty will become the property of the State of Illinois, and shall be considered as payment of damages due to delay and other causes suffered by the State because of the failure to execute said contract and contract bond; otherwise, the bid bond will become void or the proposal guaranty check will be returned to the undersigned.

**Attach Cashier's Check or Certified Check Here**

In the event that one proposal guaranty check is intended to cover two or more proposals, the amount must be equal to the sum of the proposal guaranties which would be required for each individual proposal. If the guaranty check is placed in another proposal, state below where it may be found.

The proposal guaranty check will be found in the proposal for:

Item \_\_\_\_\_

Airport \_\_\_\_\_

**Mark the proposal cover sheet as to the type of proposal guaranty submitted.**

**RETURN WITH BID**

6. **COMBINATION BIDS.** The undersigned bidder further agrees that if awarded the contract for the sections contained in the following combination, he/she will perform the work in accordance with the requirements of each individual contract comprising the combination bid specified in the schedule below, and that the combination bid shall be prorated against each section in proportion to the bid submitted for the same. If an error is found to exist in the gross sum bid for one or more of the individual sections included in a combination, the combination bid shall be corrected as provided in the specifications.

**When a combination bid is submitted, the schedule below must be completed in each proposal comprising the combination.**

**If alternate bids are submitted for one or more of the sections comprising the combination, a combination bid must be submitted for each alternate.**

**Schedule of Combination Bids**

Combination No.	Sections Included in Combination	Combination Bid	
		Dollars	Cents

7. **SCHEDULE OF PRICES.** The undersigned bidder submits herewith, in accordance with the rules and instructions, a schedule of prices for the items of work for which bids are sought. The unit prices bid are in U.S. dollars and cents, and all extensions and summations have been made. The bidder understands that the quantities appearing in the bid schedule are approximate and are provided for the purpose of obtaining a gross sum for the comparison of bids. If there is an error in the extension of the unit prices, the unit prices will govern. Payment to the contractor awarded the contract will be made only for actual quantities of work performed and accepted or materials furnished according to the contract. The scheduled quantities of work to be done and materials to be furnished may be increased, decreased or omitted as provided elsewhere in the contract.
8. **AUTHORITY TO DO BUSINESS IN ILLINOIS.** Section 20-43 of the Illinois Procurement Code (the Code) (30 ILCS 500/20-43) provides that a person (other than an individual acting as a sole proprietor) must be a legal entity authorized to transact business or conduct affairs in the State of Illinois prior to submitting the bid.
9. **EXECUTION OF CONTRACT.** The Department of Transportation will, in accordance with the rules governing Department procurements, execute the contract and shall be the sole entity having the authority to accept performance and make payments under the contract. Execution of the contract by the Chief Procurement Officer (CPO) or the State Purchasing Officer (SPO) is for approval of the procurement process and execution of the contract by the Department. Neither the CPO nor the SPO shall be responsible for administration of the contract or determinations respecting performance or payment there under except as otherwise permitted in the Code
10. **The services of a subcontractor will be used.**
- Check box Yes
- Check box No

For known subcontractors with subcontracts with an annual value of more than \$50,000, the contract shall include their name, address, general type of work to be performed, and the dollar allocation for each subcontractor. (30 ILCS 500/20-120)

---



---

STATE JOB #- - - -

ILLINOIS DEPARTMENT OF TRANSPORTATION  
 SCHEDULE OF PRICES  
 CONTRACT NUMBER - FR040

ECMS002 DTGECM03 ECMR003 PAGE 1  
 RUN DATE - 06/20/16  
 RUN TIME - 223327

COUNTY NAME	CODE	DIST	AIRPORT NAME	FED PROJECT	ILL PROJECT
STEPHENSON	177	02	ALBERTUS	3-17-SBGP-XX	FE-P -4296

ITEM NUMBER	PAY ITEM DESCRIPTION	UNIT OF MEASURE	QUANTITY	UNIT PRICE		TOTAL PRICE	
				DOLLARS	CENTS	DOLLARS	CTS
AR108158	1/C #8 5 KV UG CABLE IN UD	L.F.	17,500.000 X		=		
AR110014	4" DIRECTIONAL BORE	L.F.	100.000 X		=		
AR110610	ELECTRICAL HANDHOLE	EACH	1.000 X		=		
AR125442	TAXI GUIDANCE SIGN, 2 CHARACTER	EACH	1.000 X		=		
AR125443	TAXI GUIDANCE SIGN, 3 CHARACTER	EACH	1.000 X		=		
AR125445	TAXI GUIDANCE SIGN, 5 CHARACTER	EACH	4.000 X		=		
AR125505	MIRL, STAKE MOUNTED	EACH	34.000 X		=		
AR125510	MIRL, BASE MOUNTED	EACH	17.000 X		=		
AR125545	MI THRESHOLD LIGHT BASE MTD	EACH	8.000 X		=		
AR125565	SPLICE CAN	EACH	1.000 X		=		
AR125610	REILS	PAIR	1.000 X		=		
AR125901	REMOVE STAKE MOUNTED LIGHT	EACH	32.000 X		=		
AR125902	REMOVE BASE MOUNTED LIGHT	EACH	27.000 X		=		
AR125904	REMOVE TAXI GUIDANCE SIGN	EACH	6.000 X		=		
AR125907	REMOVE REILS	PAIR	1.000 X		=		

ALBERTUS  
STEPHENSON

ILLINOIS DEPARTMENT OF TRANSPORTATION  
SCHEDULE OF PRICES  
CONTRACT NUMBER - FR040

ECMS002 DTGECM03 ECMR003 PAGE 2  
RUN DATE - 06/20/16  
RUN TIME - 223327

ITEM NUMBER	PAY ITEM DESCRIPTION	UNIT OF MEASURE	QUANTITY	UNIT PRICE		TOTAL PRICE	
				DOLLARS	CENTS	DOLLARS	CTS
AR125941	ADJUST STAKE MOUNTED LIGHT	EACH	22.000	X	=		
AR125942	ADJUST BASE MOUNTED LIGHT	EACH	22.000	X	=		
AR125946	ADJUST SPLICE CAN	EACH	4.000	X	=		
AR125982	REFURBISH BASE MOUNTED LIGHT	EACH	8.000	X	=		
AR150510	ENGINEER'S FIELD OFFICE	L.S.	1.000	X	=		
AR150520	MOBILIZATION	L.S.	1.000	X	=		
AR152480	SHOULDER ADJUSTMENT	S.Y.	35,000.000	X	=		
AR156510	SILT FENCE	L.F.	400.000	X	=		
AR156520	INLET PROTECTION	EACH	11.000	X	=		
AR201661	CLEAN & SEAL BITUMINOUS CRACKS	L.F.	10,500.000	X	=		
AR201663	SAND MIX CRACK REPAIR	L.F.	24,500.000	X	=		
AR208515	POROUS GRANULAR EMBANKMENT	C.Y.	155.000	X	=		
AR401610	BITUMINOUS SURFACE COURSE	TON	5,900.000	X	=		
AR401620	BIT. SURFACE COURSE, LEVELING	TON	7,100.000	X	=		
AR401630	BITUMINOUS SURFACE TEST SECTION	EACH	1.000	X	=		



ALBERTUS  
STEPHENSON

ILLINOIS DEPARTMENT OF TRANSPORTATION  
SCHEDULE OF PRICES  
CONTRACT NUMBER - FR040

ECMS002 DTGECM03 ECMR003 PAGE 3  
RUN DATE - 06/20/16  
RUN TIME - 223327

ITEM NUMBER	PAY ITEM DESCRIPTION	UNIT OF MEASURE	QUANTITY	UNIT PRICE		TOTAL PRICE	
				DOLLARS	CENTS	DOLLARS	CTS
AR401640	BITUMINOUS PAVEMENT GROOVING	S.Y.	48,740.000 X		=		
AR401650	BITUMINOUS PAVEMENT MILLING	S.Y.	17,500.000 X		=		
AR401655	BUTT JOINT CONSTRUCTION	S.Y.	540.000 X		=		
AR401915	REM & REP BIT PAVEMENT - TYPE A	S.Y.	350.000 X		=		
AR401916	REM & REP BIT PAVEMENT - TYPE B	S.Y.	1,925.000 X		=		
AR603510	BITUMINOUS TACK COAT	GAL.	17,600.000 X		=		
AR620520	PAVEMENT MARKING-WATERBORNE	S.F.	82,500.000 X		=		
AR620900	PAVEMENT MARKING REMOVAL	S.F.	29,300.000 X		=		
AR701312	12" RCP, CLASS II	L.F.	70.000 X		=		
AR701318	18" RCP, CLASS II	L.F.	30.000 X		=		
AR701324	24" RCP, CLASS II	L.F.	30.000 X		=		
AR701900	REMOVE PIPE	L.F.	130.000 X		=		
AR705945	ADJUST COLLECTION STRUCTURE	EACH	18.000 X		=		
AR751560	MANHOLE 6'	EACH	2.000 X		=		
AR751903	REMOVE MANHOLE	EACH	2.000 X		=		

ALBERTUS  
STEPHENSON

ILLINOIS DEPARTMENT OF TRANSPORTATION  
SCHEDULE OF PRICES  
CONTRACT NUMBER - FR040

ECMS002 DTGECM03 ECMR003 PAGE 4  
RUN DATE - 06/20/16  
RUN TIME - 223327

ITEM NUMBER	PAY ITEM DESCRIPTION	UNIT OF MEASURE	QUANTITY	UNIT PRICE		TOTAL PRICE	
				DOLLARS	CENTS	DOLLARS	CTS
AR751927	REPLACE FRAME & GRATE	EACH	2.000 X			=	
AR800864	2-#4 XLP-USE, 1#10 GND IN 1-1/4" U L.F.		225.000 X			=	
AR901510	SEEDING	ACRE	7.500 X			=	
AR908515	HEAVY-DUTY HYDRAULIC MULCH	ACRE	7.500 X			=	
TOTAL						\$	

NOTE:

1. EACH PAY ITEM SHOULD HAVE A UNIT PRICE AND A TOTAL PRICE.
2. THE UNIT PRICE SHALL GOVERN IF NO TOTAL PRICE IS SHOWN OR IF THERE IS A DISCREPANCY BETWEEN THE PRODUCT OF THE UNIT PRICE MULTIPLIED BY THE QUANTITY.
3. IF A UNIT PRICE IS OMITTED, THE TOTAL PRICE WILL BE DIVIDED BY THE QUANTITY IN ORDER TO ESTABLISH A UNIT PRICE.
4. A BID MAY BE DECLARED UNACCEPTABLE IF NEITHER A UNIT PRICE NOR A TOTAL PRICE IS SHOWN.

## RETURN WITH BID

### STATE REQUIRED ETHICAL STANDARDS GOVERNING CONTRACT PROCUREMENT: ASSURANCES, CERTIFICATIONS AND DISCLOSURES

#### I. GENERAL

A. Article 50 of the Code establishes the duty of all State CPOs, SPOs, and their designees to maximize the value of the expenditure of public moneys in procuring goods, services, and contracts for the State of Illinois and to act in a manner that maintains the integrity and public trust of State government. In discharging this duty, they are charged by law to use all available information, reasonable efforts, and reasonable actions to protect, safeguard, and maintain the procurement process of the State of Illinois.

B. In order to comply with the provisions of Article 50 and to carry out the duty established therein, all bidders are to adhere to ethical standards established for the procurement process, and to make such assurances, disclosures and certifications required by law. Except as otherwise required in subsection III, paragraphs J-M, by execution of the Proposal Signature Sheet, the bidder indicates that each of the mandated assurances has been read and understood, that each certification is made and understood, and that each disclosure requirement has been understood and completed.

C. In addition to all other remedies provided by law, failure to comply with any assurance, failure to make any disclosure or the making of a false certification shall be grounds for the CPO to void the contract, and may result in the suspension or debarment of the bidder or subcontractor. If a false certification is made by a subcontractor, the contractor's submitted bid and the executed contract may not be declared void unless the contractor refuses to terminate the subcontract upon the States' request after a finding that the subcontractor's certification was false.

I acknowledge, understand and accept these terms and conditions.

#### II. ASSURANCES

The assurances hereinafter made by the bidder are each a material representation of fact upon which reliance is placed should the Department enter into the contract with the bidder.

##### A. Conflicts of Interest

Section 50-13. Conflicts of Interest.

(a) Prohibition. It is unlawful for any person holding an elective office in this State, holding a seat in the General Assembly, or appointed to or employed in any of the offices or agencies of state government and who receives compensation for such employment in excess of 60% of the salary of the Governor of the State of Illinois, or who is an officer or employee of the Capital Development Board or the Illinois Toll Highway Authority, or who is the spouse or minor child of any such person to have or acquire any contract, or any direct pecuniary interest in any contract therein, whether for stationery, printing, paper, or any services, materials, or supplies, that will be wholly or partially satisfied by the payment of funds appropriated by the General Assembly of the State of Illinois or in any contract of the Capital Development Board or the Illinois Toll Highway Authority.

(b) Interests. It is unlawful for any firm, partnership, association or corporation, in which any person listed in subsection (a) is entitled to receive (i) more than 7 1/2% of the total distributable income or (ii) an amount in excess of the salary of the Governor, to have or acquire any such contract or direct pecuniary interest therein.

(c) Combined interests. It is unlawful for any firm, partnership, association, or corporation, in which any person listed in subsection (a) together with his or her spouse or minor children is entitled to receive (i) more than 15%, in the aggregate, of the total distributable income or (ii) an amount in excess of 2 times the salary of the Governor, to have or acquire any such contract or direct pecuniary interest therein.

(d) Securities. Nothing in this Section invalidates the provisions of any bond or other security previously offered or to be offered for sale or sold by or for the State of Illinois.

(e) Prior interests. This Section does not affect the validity of any contract made between the State and an officer or employee of the State or member of the General Assembly, his or her spouse, minor child or any combination of those persons if that contract was in existence before his or her election or employment as an officer, member, or employee. The contract is voidable, however, if it cannot be completed within 365 calendar days after the officer, member, or employee takes office or is employed. The current salary of the Governor is \$177,412.00. Sixty percent of the salary is \$106,447.20.

## RETURN WITH BID

The bidder assures the Department that the award and execution of the contract would not cause a violation of Section 50-13, or that an effective exemption has been issued by the Board of Ethics to any individual subject to the Section 50-13 prohibitions pursuant to the provisions of Section 50-20 of the Code and Executive Order Number 3 (1998). Information concerning the exemption process is available from the Department upon request.

### **B. Negotiations**

Section 50-15. Negotiations.

It is unlawful for any person employed in or on a continual contractual relationship with any of the offices or agencies of State government to participate in contract negotiations on behalf of that office or agency with any firm, partnership, association, or corporation with whom that person has a contract for future employment or is negotiating concerning possible future employment.

The bidder assures the Department that the award and execution of the contract would not cause a violation of Section 50-15, and that the bidder has no knowledge of any facts relevant to the kinds of acts prohibited therein.

### **C. Inducements**

Section 50-25. Inducement.

Any person who offers or pays any money or other valuable thing to any person to induce him or her not to provide a submission to a vendor portal or to bid for a State contract or as recompense for not having bid on a State contract is guilty of a Class 4 felony. Any person who accepts any money or other valuable thing for not bidding for a State contract, not making a submission to a vendor portal or who withholds a bid or submission to a vendor portal in consideration of the promise for the payment of money or other valuable thing is guilty of a Class 4 felony.

The bidder assures the Department that the award and execution of the contract would not cause a violation of Section 50-25, and that the bidder has no knowledge of any facts relevant to the kinds of acts prohibited therein.

### **D. Revolving Door Prohibition**

Section 50-30. Revolving door prohibition.

CPOs, SPOs, procurement compliance monitors, their designees whose principal duties are directly related to State procurement, and executive officers confirmed by the Senate are expressly prohibited for a period of 2 years after terminating an affected position from engaging in any procurement activity relating to the State agency most recently employing them in an affected position for a period of at least 6 months. The prohibition includes, but is not limited to: lobbying the procurement process; specifying; bidding; proposing bid, proposal, or contract documents; on their own behalf or on behalf of any firm, partnership, association, or corporation. This Section applies only to persons who terminate an affected position on or after January 15, 1999.

The bidder assures the Department that the award and execution of the contract would not cause a violation of Section 50-30, and that the bidder has no knowledge of any facts relevant to the kinds of acts prohibited therein.

### **E. Reporting Anticompetitive Practices**

Section 50-40. Reporting anticompetitive practices.

When, for any reason, any vendor, bidder, contractor, CPO, SPO, designee, elected official, or State employee suspects collusion or other anticompetitive practice among any bidders, offers, contractors, proposers, or employees of the State, a notice of the relevant facts shall be transmitted to the Attorney General and the CPO.

The bidder assures the Department that it has not failed to report any relevant facts concerning the practices addressed in Section 50-40 which may involve the contract for which the bid or submission to a vendor portal is submitted.

### **F. Confidentiality**

Section 50-45. Confidentiality.

Any CPO, SPO, designee, or executive officer who willfully uses or allows the use of specifications, competitive bid documents, proprietary competitive information, proposals, contracts, or selection information to compromise the fairness or integrity of the procurement, bidding, or contract process shall be subject to immediate dismissal, regardless of the Personnel code, any contract, or any collective bargaining agreement, and may in addition be subject to criminal prosecution.

The bidder assures the Department that it has no knowledge of any fact relevant to the practices addressed in Section 50-45 which may involve the contract for which the bid is submitted.

## RETURN WITH BID

### **G. Insider Information**

Section 50-50. Insider information.

It is unlawful for any current or former elected or appointed State official or State employee to knowingly use confidential information available only by virtue of that office or employment for actual or anticipated gain for themselves or another person.

The bidder assures the Department that it has no knowledge of any facts relevant to the practices addressed in Section 50-50 which may involve the contract for which the bid is submitted.

I acknowledge, understand and accept these terms and conditions for the above assurances.

### **III. CERTIFICATIONS**

The certifications hereinafter made by the bidder are each a material representation of fact upon which reliance is placed should the Department enter into the contract with the bidder. Section 50-2 of the Code provides that every person that has entered into a multi-year contract and every subcontractor with a multi-year subcontract shall certify, by July 1 of each fiscal year covered by the contract after the initial fiscal year, to the responsible CPO whether it continues to satisfy the requirements of Article 50 pertaining to the eligibility for a contract award. If a contractor or subcontractor is not able to truthfully certify that it continues to meet all requirements, it shall provide with its certification a detailed explanation of the circumstances leading to the change in certification status. A contractor or subcontractor that makes a false statement material to any given certification required under Article 50 is, in addition to any other penalties or consequences prescribed by law, subject to liability under the Whistleblower Reward and Protection Act for submission of a false claim.

#### **A. Bribery**

Section 50-5. Bribery.

(a) Prohibition. No person or business shall be awarded a contract or subcontract under this Code who:

(1) has been convicted under the laws of Illinois or any other state of bribery or attempting to bribe an officer or employee of the State of Illinois or any other state in that officer's or employee's official capacity; or

(2) has made an admission of guilt of that conduct that is a matter of record but has not been prosecuted for that conduct.

(b) Businesses. No business shall be barred from contracting with any unit of State or local government, or subcontracting under such a contract, as a result of a conviction under this Section of any employee or agent of the business if the employee or agent is no longer employed by the business and:

(1) the business has been finally adjudicated not guilty; or

(2) the business demonstrates to the governmental entity with which it seeks to contract, or which is signatory to the contract which the subcontract relates, and that entity finds that the commission of the offense was not authorized, requested, commanded, or performed by a director, officer, or high managerial agent on behalf of the business as provided in paragraph (2) of subsection (a) of Section 5-4 of the Criminal Code of 2012.

(c) Conduct on behalf of business. For purposes of this Section, when an official, agent, or employee of a business committed the bribery or attempted bribery on behalf of the business and in accordance with the direction or authorization of a responsible official of the business, the business shall be chargeable with the conduct.

(d) Certification. Every bid submitted to and contract executed by the State, and every subcontract subject to Section 20-120 of the Code shall contain a certification by the contractor or the subcontractor, respectively, that the contractor or subcontractor is not barred from being awarded a contract or subcontract under this Section and acknowledges that the CPO may declare the related contract void if any certifications required by this Section are false. A contractor who makes a false statement, material to the certification, commits a Class 3 felony.

The contractor or subcontractor certifies that it is not barred from being awarded a contract under Section 50-5.

#### **B. Felons**

Section 50-10. Felons.

(a) Unless otherwise provided, no person or business convicted of a felony shall do business with the State of Illinois or any State agency, or enter into a subcontract, from the date of conviction until 5 years after the date of completion of the sentence for that felony, unless no person held responsible by a prosecutorial office for the facts upon which the conviction was based continues to have any involvement with the business.

(b) Certification. Every bid submitted to and contract executed by the State and every subcontract subject to Section 20-120 of the Code and every vendor's submission to a vendor portal shall contain a certification by the bidder or contractor or subcontractor, respectively, that the bidder, contractor, or subcontractor is not barred from being awarded a contract or subcontract under this Section and acknowledges that the CPO may declare the related contract void if any of the certifications required by this Section are false.

## RETURN WITH BID

### **C. Debt Delinquency**

Section 50-11 and 50-12. Debt Delinquency.

The contractor or bidder or subcontractor, respectively, certifies that it, or any affiliate, is not barred from being awarded a contract or subcontract under the Code. Section 50-11 prohibits a person from entering into a contract with a State agency, or entering into a subcontract, if it knows or should know that it, or any affiliate, is delinquent in the payment of any debt to the State as defined by the Debt Collection Board. Section 50-12 prohibits a person from entering into a contract with a State agency, or entering into a subcontract, if it, or any affiliate, has failed to collect and remit Illinois Use Tax on all sales of tangible personal property into the State of Illinois in accordance with the provisions of the Illinois Use Tax Act. The bidder or contractor or subcontractor, respectively, further acknowledges that the CPO may declare the related contract void if this certification is false or if the bidder, contractor, or subcontractor, or any affiliate, is determined to be delinquent in the payment of any debt to the State during the term of the contract.

### **D. Prohibited Bidders, Contractors and Subcontractors**

Section 50-10.5 and 50-60(c). Prohibited bidders, contractors and subcontractors.

The bidder or contractor or subcontractor, respectively, certifies in accordance with Section 50-10.5 that no officer, director, partner or other managerial agent of the contracting business has been convicted of a felony under the Sarbanes-Oxley Act of 2002 or a Class 3 or Class 2 felony under the Illinois Securities Law of 1953 or if in violation of Subsection (c) for a period of five years from the date of conviction. Every bid submitted to and contract executed by the State and every subcontract subject to Section 20-120 of the Code shall contain a certification by the bidder, contractor, or subcontractor, respectively, that the bidder, contractor, or subcontractor is not barred from being awarded a contract or subcontract under this Section and acknowledges that the CPO shall declare the related contract void if any of the certifications completed pursuant to this Section are false.

### **E. Section 42 of the Environmental Protection Act**

Section 50-14 Environmental Protection Act violations.

The bidder or contractor or subcontractor, respectively, certifies in accordance with Section 50-14 that the bidder, contractor, or subcontractor, is not barred from being awarded a contract or entering into a subcontract under this Section which prohibits the bidding on or entering into contracts with the State of Illinois or a State agency, or entering into any subcontract, that is subject to the Code by a person or business found by a court or the Pollution Control Board to have committed a willful or knowing violation of Section 42 of the Environmental Protection Act for a period of five years from the date of the order. The bidder or contractor or subcontractor, respectively, acknowledges that the CPO may declare the contract void if this certification is false.

### **F. Educational Loan**

Section 3 of the Educational Loan Default Act, 5 ILCS 385/3

Pursuant to the Educational Loan Default Act, no State agency shall contract with an individual for goods or services if that individual is in default on an educational loan.

The bidder, if an individual as opposed to a corporation, partnership or other form of business organization, certifies that the bidder is not in default on an educational loan as provided in Section 3 of the Act.

### **G. Bid-Rigging/Bid Rotating**

Section 33E-11 of the Criminal Code of 2012, 720 ILCS 5/33E-11

(a) Every bid submitted to and public contract executed pursuant to such bid by the State or a unit of local government shall contain a certification by the prime contractor that the prime contractor is not barred from contracting with any unit of State or local government as a result of a violation of either Section 33E-3 or 33E-4 of this Article.

(b) A contractor who makes a false statement, material to the certification, commits a Class 3 felony.

A violation of Section 33E-3 would be represented by a conviction of the crime of bid-rigging which, in addition to Class 3 felony sentencing, provides that any person convicted of this offense or any similar offense of any state or the United States which contains the same elements as this offense shall be barred for 5 years from the date of conviction from contracting with any unit of State or local government. No corporation shall be barred from contracting with any unit of State or local government as a result of a conviction under this Section of any employee or agent of such corporation if the employee so convicted is no longer employed by the corporation and: (1) it has been finally adjudicated not guilty or (2) if it demonstrates to the governmental entity with which it seeks to contract and that entity finds that the commission of the offense was neither authorized, requested, commanded, nor performed by a director, officer or a high managerial agent in behalf of the corporation.

## RETURN WITH BID

The bidder certifies that it is not barred from contracting with the Department by reason of a violation of either Section 33E-3 or Section 33E-4.

### **H. International Anti-Boycott**

Section 5 of the International Anti-Boycott Certification Act provides every contract entered into by the State of Illinois for the manufacture, furnishing, or purchasing of supplies, material, or equipment or for the furnishing of work, labor, or services, in an amount exceeding the threshold for small purchases according to the purchasing laws of this State or \$10,000.00, whichever is less, shall contain certification, as a material condition of the contract, by which the contractor agrees that neither the contractor nor any substantially-owned affiliated company is participating or shall participate in an international boycott in violation of the provisions of the U.S. Export Administration Act of 1979 or the regulations of the U.S. Department of Commerce promulgated under that Act.

The bidder makes the certification set forth in Section 5 of the Act.

### **I. Drug Free Workplace**

The Illinois "Drug Free Workplace Act" applies to this contract and it is necessary to comply with the provisions of the "Act" if the contractor is a corporation, partnership, or other entity (including a sole proprietorship) which has 25 or more employees.

The bidder certifies that if awarded a contract in excess of \$5,000 it will provide a drug free workplace in compliance with the provisions of the Act.

### **J. Disclosure of Business Operations in Iran**

Section 50-36 of the Code provides that each bid, offer, or proposal submitted for a State contract shall include a disclosure of whether or not the Company acting as the bidder, offeror, or proposing entity, or any of its corporate parents or subsidiaries, within the 24 months before submission of the bid, offer, or proposal had business operations that involved contracts with or provision of supplies or services to the Government of Iran, companies in which the Government of Iran has any direct or indirect equity share, consortiums or projects commissioned by the Government of Iran, or companies involved in consortiums or projects commissioned by the Government of Iran and either of the following conditions apply:

- (1) More than 10% of the Company's revenues produced in or assets located in Iran involve oil-related activities or mineral-extraction activities; less than 75% of the Company's revenues produced in or assets located in Iran involve contracts with or provision of oil-related or mineral-extraction products or services to the Government of Iran or a project or consortium created exclusively by that government; and the Company has failed to take substantial action.
- (2) The Company has, on or after August 5, 1996, made an investment of \$20 million or more, or any combination of investments of at least \$10 million each that in the aggregate equals or exceeds \$20 million in any 12-month period, which directly or significantly contributes to the enhancement of Iran's ability to develop petroleum resources of Iran.

The terms "Business operations", "Company", "Mineral-extraction activities", "Oil-related activities", "Petroleum resources", and "Substantial action" are all defined in the Code.

Failure to make the disclosure required by the Code may cause the bid, offer or proposal to be considered not responsive. The disclosure will be considered when evaluating the bid, offer, or proposal or awarding the contract. The name of each Company disclosed as doing business or having done business in Iran will be provided to the State Comptroller.

Check the appropriate statement:

Company has no business operations in Iran to disclose.

Company has business operations in Iran as disclosed on the attached document.

**RETURN WITH BID**

**K. Apprenticeship and Training Certification (Does not apply to federal aid projects)**

In accordance with the provisions of Section 30-22 (6) of the Code, the bidder certifies that it is a participant, either as an individual or as part of a group program, in the approved apprenticeship and training programs applicable to each type of work or craft that the bidder will perform with its own forces. The bidder further certifies for work that will be performed by subcontract that each of its subcontractors submitted for approval either (a) is, at the time of such bid, participating in an approved, applicable apprenticeship and training program; or (b) will, prior to commencement of performance of work pursuant to this contract, begin participation in an approved apprenticeship and training program applicable to the work of the subcontract. The Department, at any time before or after award, may require the production of a copy of each applicable Certificate of Registration issued by the United States Department of Labor evidencing such participation by the contractor and any or all of its subcontractors. Applicable apprenticeship and training programs are those that have been approved and registered with the United States Department of Labor. The bidder shall list in the space below, the official name of the program sponsor holding the Certificate of Registration for all of the types of work or crafts in which the bidder is a participant and that will be performed with the bidder's forces. Types of work or craft work that will be subcontracted shall be included and listed as subcontracted work. The list shall also indicate any type of work or craft job category that does not have an applicable apprenticeship or training program. **The bidder is responsible for making a complete report and shall make certain that each type of work or craft job category that will be utilized on the project as reported on the Construction Employee Workforce Projection (Form BC-1256) and returned with the bid is accounted for and listed.**

Additionally, Section 30-22 of the Code requires that the bidder certify that an Illinois office be maintained as the primary place of employment for persons employed for this contract.

NA-FEDERAL

---

---

---

The requirements of these certifications and disclosures are a material part of the contract, and the contractor shall require these certification provisions to be included in all approved subcontracts. In order to fulfill this requirement, it shall not be necessary that an applicable program sponsor be currently taking or that it will take applications for apprenticeship, training or employment during the performance of the work of this contract.



**RETURN WITH BID**

**L. Political Contributions and Registration with the State Board of Elections.**

Sections 20-160 and 50-37 of the Code regulate political contributions from business entities and any affiliated entities or affiliated persons bidding on or contracting with the state. Generally under Section 50-37, any business entity, and any affiliated entity or affiliated person of the business entity, whose current year contracts with all state agencies exceed an awarded value of \$50,000, are prohibited from making any contributions to any political committees established to promote the candidacy of the officeholder responsible for the awarding of the contracts or any other declared candidate for that office for the duration of the term of office of the incumbent officeholder or a period 2 years after the termination of the contract, whichever is longer. Any business entity and affiliated entities or affiliated persons whose state contracts in the current year do not exceed an awarded value of \$50,000, either alone or in combination with contracts not exceeding \$50,000, are prohibited from making any political contributions to any political committee established to promote the candidacy of the officeholder responsible for awarding the pending contract during the period beginning on the date the invitation for bids or request for proposals or any other procurement opportunity is issued and ending on the day after the date of award or selection if the entity was not awarded or selected. Section 20-160 requires certification of registration of affected business entities in accordance with procedures found in Section 9-35 of The Election Code

By submission of a bid, the contractor business entity acknowledges and agrees that it has read and understands Sections 20-160 and 50-37 of the Code, and that it makes the following certification:

**The undersigned business entity certifies that it has registered as a business with the State Board of Elections and acknowledges a continuing duty to update the registration in accordance with the above referenced statutes. If the business entity is required to register, the CPO shall verify that it is in compliance on the date the bid or proposal is due. The CPO shall not accept a bid or proposal if the business entity is not in compliance with the registration requirements.**

These requirements and compliance with the above referenced statutory sections are a material part of the contract, and any breach thereof shall be cause to void the contract under Section 50-60 of the Code. This provision does not apply to Federal-aid contracts.

**M. Lobbyist Disclosure**

Section 50-38 of the Code requires that any bidder or offeror on a State contract that hires a person required to register under the Lobbyist Registration Act to assist in obtaining a contract shall:

- (i) Disclose all costs, fees, compensation, reimbursements, and other remunerations paid or to be paid to the lobbyist related to the contract,
- (ii) Not bill or otherwise cause the State of Illinois to pay for any of the lobbyist's costs, fees, compensation, reimbursements, or other remuneration, and
- (iii) Sign a verification certifying that none of the lobbyist's costs, fees, compensation, reimbursements, or other remuneration were billed to the State.

This information, along with all supporting documents, shall be filed with the agency awarding the contract and with the Secretary of State. The CPO shall post this information, together with the contract award notice, in the online Procurement Bulletin.

Pursuant to Subsection (c) of this Section, no person or entity shall retain a person or entity to attempt to influence the outcome of a procurement decision made under the Code for compensation contingent in whole or in part upon the decision or procurement. Any person who violates this subsection is guilty of a business offense and shall be fined not more than \$10,000.

Bidder acknowledges that it is required to disclose the hiring of any person required to register pursuant to the Illinois Lobbyist Registration Act (25 ILCS 170) in connection with this contract.

Bidder has not hired any person required to register pursuant to the Illinois Lobbyist Registration Act in connection with this contract.

Or

Bidder has hired the following persons required to register pursuant to the Illinois Lobbyist Registration Act in connection with the contract:

Name and address of person: \_\_\_\_\_  
All costs, fees, compensation, reimbursements and other remuneration paid to said person: \_\_\_\_\_  
\_\_\_\_\_  
\_\_\_\_\_

I acknowledge, understand and accept these terms and conditions for the above certifications.

## RETURN WITH BID

### IV. DISCLOSURES

- A. The disclosures hereinafter made by the bidder are each a material representation of fact upon which reliance is placed should the Department enter into the contract with the bidder. The bidder further certifies that the Department has received the disclosure forms for each bid.

The CPO may void the bid, or contract, respectively, if it is later determined that the bidder or subcontractor rendered a false or erroneous disclosure. A contractor or subcontractor may be suspended or debarred for violations of the Code. Furthermore, the CPO may void the contract and the surety providing the performance bond shall be responsible for completion of the contract.

### B. Financial Interests and Conflicts of Interest

1. Section 50-35 of the Code provides that all bids of more than \$50,000 and all submissions to a vendor portal shall be accompanied by disclosure of the financial interests of the bidder. This disclosed information for the successful bidder, will be maintained as public information subject to release by request pursuant to the Freedom of Information Act, filed with the Procurement Policy Board, and shall be incorporated as a material term of the contract. Furthermore, pursuant to Section 5-5, the Procurement Policy Board may review a proposal, bid, or contract and issue a recommendation to void a contract or reject a proposal or bid based on any violation of the Code or the existence of a conflict of interest as provided in subsections (b) and (d) of Section 50-35.

The financial interests to be disclosed shall include ownership or distributive income share that is in excess of 5%, or an amount greater than 60% of the annual salary of the Governor, of the bidding entity or its parent entity, whichever is less, unless the contractor or bidder is a publicly traded entity subject to Federal 10K reporting, in which case it may submit its 10K disclosure in place of the prescribed disclosure. If a bidder is a privately held entity that is exempt from Federal 10K reporting, but has more than 100 shareholders, it may submit the information that Federal 10K companies are required to report, and list the names of any person or entity holding any ownership share that is in excess of 5%. The disclosure shall include the names, addresses, and dollar or proportionate share of ownership of each individual making the disclosure, their instrument of ownership or beneficial relationship, and notice of any potential conflict of interest resulting from the current ownership or beneficial interest of each individual making the disclosure having any of the relationships identified in Section 50-35 and on the disclosure form.

**The current annual salary of the Governor is \$177,412.00**

In addition, all disclosures shall indicate any other current or pending contracts, proposals, leases, or other ongoing procurement relationships the bidding entity has with any other unit of state government and shall clearly identify the unit and the contract, proposal, lease, or other relationship.

2. Disclosure Forms. Disclosure Form A is attached for use concerning the individuals meeting the above ownership or distributive share requirements. A separate Disclosure Form A must be submitted with the bid for each individual meeting the above requirements. In addition, a second form (Disclosure Form B) provides for the disclosure of current or pending procurement relationships with other (non-IDOT) state agencies and a total ownership certification. **The forms must be included with each bid.**

### C. Disclosure Form Instructions

#### Form A Instructions for Financial Information & Potential Conflicts of Interest

If the bidder is a publicly traded entity subject to Federal 10K reporting, the 10K Report may be submitted to meet the requirements of Form A. If a bidder is a privately held entity that is exempt from Federal 10K reporting, but has more than 100 shareholders, it may submit the information that Federal 10K companies are required to report, and list the names of any individual or entity holding any ownership share that is in excess of 5%. If a bidder is not subject to Federal 10K reporting, the bidder must determine if any individuals are required by law to complete a financial disclosure form. To do this, the bidder should answer each of the following questions. A "YES" answer indicates Form A must be completed. If the answer to each of the following questions is "NO", then the NOT APPLICABLE STATEMENT on Form A must be signed and dated by an individual that is authorized to execute contracts for the bidding company. Note: These questions are for assistance only and are not required to be completed.

1. Does anyone in your organization have a direct or beneficial ownership share of greater than 5% of the bidding entity or parent entity? YES \_\_\_\_\_ NO \_\_\_\_\_
2. Does anyone in your organization have a direct or beneficial ownership share of less than 5%, but which has a value greater than 60% of the annual salary of the Governor? YES \_\_\_\_\_ NO \_\_\_\_\_
3. Does anyone in your organization receive more than 60% of the annual salary of the Governor of the bidding entity's or parent entity's distributive income? (Note: Distributive income is, for these purposes, any type of distribution of profits. An annual salary is not distributive income.) YES \_\_\_\_\_ NO \_\_\_\_\_
4. Does anyone in your organization receive greater than 5% of the bidding entity's or parent entity's total distributive income, but which is less than 60% of the annual salary of the Governor? YES \_\_\_\_\_ NO \_\_\_\_\_

(Note: Only one set of forms needs to be completed per individual per bid even if a specific individual would require a yes answer to more than one question.)

A "YES" answer to any of these questions requires the completion of Form A. The bidder must determine each individual in the bidding entity or the bidding entity's parent company that would cause the questions to be answered "Yes". Each form must be signed and dated by an individual that is authorized to execute contracts for your organization. The individual signing can be, but does not have to be, the individual for which the form is being completed. The bidder is responsible for the accuracy of any information provided.

If the answer to each of the above questions is "NO", then the NOT APPLICABLE STATEMENT of Form A must be signed and dated by an individual that is authorized to execute contracts for your company.

## RETURN WITH BID

### **Form B: Instructions for Identifying Other Contracts & Procurement Related Information**

Disclosure Form B must be completed for each bid submitted by the bidding entity. *Note: Checking the NOT APPLICABLE STATEMENT on Form A does not allow the bidder to ignore Form B. Form B must be completed, checked, and dated or the bidder may be considered nonresponsive and the bid will not be accepted.*

The Bidder shall identify, by checking Yes or No on Form B, whether it has any pending contracts (including leases), bids, proposals, or other ongoing procurement relationship with any other (non-IDOT) State of Illinois agency. If "No" is checked, the bidder only needs to complete the check box on the bottom of Form B. If "Yes" is checked, the bidder must do one of the following:

Option I: If the bidder did not submit an Affidavit of Availability to obtain authorization to bid, the bidder must list all non-IDOT State of Illinois agency pending contracts, leases, bids, proposals, and other ongoing procurement relationships. These items may be listed on Form B or on an attached sheet(s). Do not include IDOT contracts. Contracts with cities, counties, villages, etc. are not considered State of Illinois agency contracts and are not to be included. Contracts with other State of Illinois agencies such as the Department of Natural Resources or the Capital Development Board must be included. Bidders who submit Affidavits of Availability are suggested to use Option II.

Option II: If the bidder is required and has submitted an Affidavit of Availability in order to obtain authorization to bid, the bidder may write or type "See Affidavit of Availability" which indicates that the Affidavit of Availability is incorporated by reference and includes all non-IDOT State of Illinois agency pending contracts, leases, bids, proposals, and other ongoing procurement relationships. For any contracts that are not covered by the Affidavit of Availability, the bidder must identify them on Form B or on an attached sheet(s). These might be such things as leases.

**ILLINOIS DEPARTMENT  
OF TRANSPORTATION**

**Form A  
Financial Information &  
Potential Conflicts of Interest  
Disclosure**

Contractor Name		
Legal Address		
City, State, Zip		
Telephone Number	Email Address	Fax Number (if available)

Disclosure of the information contained in this Form is required by Section 50-35 of the Code (30 ILCS 500). Vendors desiring to enter into a contract with the State of Illinois must disclose the financial information and potential conflict of interest information as specified in this Disclosure Form. This information shall become part of the publicly available contract file. This Form A must be completed for bids in excess of \$50,000, and for all open-ended contracts. **A publicly traded company may submit a 10K disclosure (or equivalent if applicable) in satisfaction of the requirements set forth in Form A. See Disclosure Form Instructions.**

*The current salary of the Governor is \$177,412.00.*

**DISCLOSURE OF FINANCIAL INFORMATION**

**1. Disclosure of Financial Information.** The individual named below has an interest in the BIDDER (or its parent) in terms of ownership or distributive income share in excess of 5%, or an interest which has a value of more than 60% of the annual salary of the Governor. **(Make copies of this form as necessary and attach a separate Disclosure Form A for each individual meeting these requirements)**

<b>FOR INDIVIDUAL (type or print information)</b>	
<b>NAME:</b>	_____
<b>ADDRESS</b>	_____
<b>Type of ownership/distributable income share:</b>	
stock _____ sole proprietorship _____ partnership _____ other: (explain on separate sheet)	
% or \$ value of ownership/distributable income share: _____	

**2. Disclosure of Potential Conflicts of Interest.** Check "Yes" or "No" to indicate which, if any, of the following potential conflict of interest relationships apply. If the answer to any question is "Yes", please attach additional pages and describe.

(a) State employment, currently or in the previous 3 years, including contractual employment of services. Yes\_\_\_\_ No\_\_\_\_

If your answer is yes, please answer each of the following questions.

1. Are you currently an officer or employee of either the Capitol Development Board or the Illinois State Toll Highway Authority? Yes\_\_\_\_ No\_\_\_\_

2. Are you currently appointed to or employed by any agency of the State of Illinois? If you are currently appointed to or employed by any agency of the State of Illinois, and your annual salary exceeds 60% of the annual salary of the Governor, provide the name of the State agency for which you are employed and your annual salary. \_\_\_\_\_

**RETURN WITH BID**

3. If you are currently appointed to or employed by any agency of the State of Illinois, and your annual salary exceeds 60% of the annual salary of the Governor, are you entitled to receive (i) more than 7 1/2% of the total distributable income of your firm, partnership, association or corporation, or (ii) an amount in excess of 100% of the annual salary of the Governor? Yes \_\_\_\_\_ No \_\_\_\_\_
4. If you are currently appointed to or employed by any agency of the State of Illinois, and your annual salary exceeds 60% of the annual salary of the Governor, are you and your spouse or minor children entitled to receive (i) more than 15 % in the aggregate of the total distributable income of your firm, partnership, association or corporation, or (ii) an amount in excess of two times the salary of the Governor? Yes \_\_\_\_\_ No \_\_\_\_\_

---

(b) State employment of spouse, father, mother, son, or daughter, including contractual employment for services in the previous 2 years. Yes \_\_\_\_\_ No \_\_\_\_\_

If your answer is yes, please answer each of the following questions.

1. Is your spouse or any minor children currently an officer or employee of the Capital Development Board or the Illinois State Toll Highway Authority? Yes \_\_\_\_\_ No \_\_\_\_\_
2. Is your spouse or any minor children currently appointed to or employed by any agency of the State of Illinois? If your spouse or minor children is/are currently appointed to or employed by any agency of the State of Illinois, and his/her annual salary exceeds 60% of the annual salary of the Governor, provide the name of your spouse and/or minor children, the name of the State agency for which he/she is employed and his/her annual salary. \_\_\_\_\_
- 
3. If your spouse or any minor children is/are currently appointed to or employed by any agency of the State of Illinois, and his/her annual salary exceeds 60% of the annual salary of the Governor, are you entitled to receive (i) more than 7 1/2% of the total distributable income of your firm, partnership, association or corporation, or (ii) an amount in excess of 100% of the annual salary of the Governor? Yes \_\_\_\_\_ No \_\_\_\_\_
4. If your spouse or any minor children are currently appointed to or employed by any agency of the State of Illinois, and his/her annual salary exceeds 60% of the annual salary of the Governor, are you and your spouse or minor children entitled to receive (i) more than 15% in the aggregate of the total distributable income of your firm, partnership, association or corporation, or (ii) an amount in excess of two times the salary of the Governor? Yes \_\_\_\_\_ No \_\_\_\_\_

---

(c) Elective status; the holding of elective office of the State of Illinois, the government of the United States, any unit of local government authorized by the Constitution of the State of Illinois or the statutes of the State of Illinois currently or in the previous 3 years. Yes \_\_\_\_\_ No \_\_\_\_\_

---

(d) Relationship to anyone holding elective office currently or in the previous 2 years; spouse, father, mother, son, or daughter Yes \_\_\_\_\_ No \_\_\_\_\_

---

(e) Appointive office; the holding of any appointive government office of the State of Illinois, the United States of America, or any unit of local government authorized by the Constitution of the State of Illinois or the statutes of the State of Illinois, which office entitles the holder to compensation in excess of the expenses incurred in the discharge of that office currently or in the previous 3 years. Yes \_\_\_\_\_ No \_\_\_\_\_

---

(f) Relationship to anyone holding appointive office currently or in the previous 2 years; spouse, father, mother, son, or daughter. Yes \_\_\_\_\_ No \_\_\_\_\_

---

(g) Employment, currently or in the previous 3 years, as or by any registered lobbyist of the State government. Yes \_\_\_\_\_ No \_\_\_\_\_

---

**RETURN WITH BID**

(h) Relationship to anyone who is or was a registered lobbyist in the previous 2 years; spouse, father, mother, son, or daughter. Yes\_\_\_\_ No\_\_\_\_

---

(i) Compensated employment, currently or in the previous 3 years, by any registered election or reelection committee registered with the Secretary of State or any county clerk of the State of Illinois, or any political action committee registered with either the Secretary of State or the Federal Board of Elections  
Yes\_\_\_\_ No\_\_\_\_

---

(j) Relationship to anyone; spouse, father, mother, son, or daughter; who was a compensated employee in the last 2 years by any registered election or re-election committee registered with the Secretary of State or any county clerk of the State of Illinois, or any political action committee registered with either the Secretary of State or the Federal Board of Elections.  
Yes\_\_\_\_ No\_\_\_\_

---

**3. Communication Disclosure.**

Disclose the name and address of each lobbyist and other agent of the bidder or offeror who is not identified in Section 2 of this form, who has communicated, is communicating, or may communicate with any State officer or employee concerning the bid or offer. This disclosure is a continuing obligation and must be promptly supplemented for accuracy throughout the process and throughout the term of the contract. If no person is identified, enter "None" on the line below:

Name and address of person(s): \_\_\_\_\_  
\_\_\_\_\_  
\_\_\_\_\_  
\_\_\_\_\_

**RETURN WITH BID**

**4. Suspension or Debarment Disclosure.** For each of the persons identified under Sections 2 and 3 of this form, disclose whether any of the following has occurred within the previous 10 years: suspension or debarment from contracting with any governmental entity; professional licensure discipline; bankruptcies; adverse civil judgments and administrative findings; and criminal felony convictions. This disclosure is a continuing obligation and must be promptly supplemented for accuracy throughout the procurement process and term of the contract. If no person is identified, enter "None" on the line below:

Name of person(s): \_\_\_\_\_

Nature of disclosure: \_\_\_\_\_  
\_\_\_\_\_  
\_\_\_\_\_

**APPLICABLE STATEMENT**

**This Disclosure Form A is submitted on behalf of the INDIVIDUAL named on previous page. Under penalty of perjury, I certify the contents of this disclosure to be true and accurate to the best of my knowledge.**

Completed by:  \_\_\_\_\_ Date \_\_\_\_\_  
Signature of Individual or Authorized Officer

**NOT APPLICABLE STATEMENT**

**Under penalty of perjury, I have determined that no individuals associated with this organization meet the criteria that would require the completion of this Form A.**

**This Disclosure Form A is submitted on behalf of the CONTRACTOR listed on the previous page.**

\_\_\_\_\_ Date \_\_\_\_\_  
Signature of Authorized Officer

**The bidder has a continuing obligation to supplement these disclosures under Sec. 50-35 of the Code.**

RETURN WITH BID

ILLINOIS DEPARTMENT OF TRANSPORTATION

Form B Other Contracts & Procurement Related Information Disclosure

Contractor Name, Legal Address, City, State, Zip, Telephone Number, Email Address, Fax Number (if available)

Disclosure of the information contained in this Form is required by Section 50-35 of the Code (30 ILCS 500). This information shall become part of the publicly available contract file. This Form B must be completed for all bids.

DISCLOSURE OF OTHER CONTRACTS AND PROCUREMENT RELATED INFORMATION

1. Identifying Other Contracts & Procurement Related Information. The BIDDER shall identify whether it has any pending contracts (including leases), bids, proposals, or other ongoing procurement relationship with any other State of Illinois agency: Yes \_\_\_\_\_ No \_\_\_\_\_ If "No" is checked, the bidder only needs to complete the signature box on this page.

2. If "Yes" is checked. Identify each such relationship by showing State of Illinois agency name and other descriptive information such as bid or project number (attach additional pages as necessary). SEE DISCLOSURE FORM INSTRUCTIONS:

THE FOLLOWING STATEMENT MUST BE CHECKED

Signature of Authorized Representative, Date

OWNERSHIP CERTIFICATION

Please certify that the following statement is true if the individuals for all submitted Form A disclosures do not total 100% of ownership.

Any remaining ownership interest is held by individuals receiving less than \$106,447.20 of the bidding entity's or parent entity's distributive income or holding less than a 5% ownership interest.

Yes No N/A (Form A disclosure(s) established 100% ownership)



## RETURN WITH BID

### SPECIAL NOTICE TO CONTRACTORS

The following requirements of the Illinois Human Rights Act (775 ILCS 5/et seq), and applicable administrative rules, apply:

#### CONSTRUCTION EMPLOYEE UTILIZATION PROJECTION

- (a) All bidders on construction contracts shall complete and submit, along with and as part of their bids, a Bidder's Employee Utilization Form (Form BC-1256) setting forth a projection and breakdown of the total workforce intended to be hired and/or allocated to such contract work by the bidder including a projection of minority and female employee utilization in all job classifications on the contract project.
- (b) The Department of Transportation shall review the Employee Utilization Form, and workforce projections contained therein, of the contract awardee to determine if such projections reflect an underutilization of minority persons and/or women in any job classification in accordance with the Equal Employment Opportunity Clause and Title 44, Illinois Administrative Code, Section 750.120. If it is determined that the contract awardee's projections reflect an underutilization of minority persons and/or women in any job classification, it shall be advised in writing of the manner in which it is underutilizing and such awardee shall be considered to be in breach of the contract unless, prior to commencement of work on the contract project, it submits revised satisfactory projections or an acceptable written affirmative action plan to correct such underutilization including a specific timetable geared to the completion stages of the contract.
- (c) The Department of Transportation shall provide to the Department of Human Rights a copy of the contract awardee's Employee Utilization Form, a copy of any required written affirmative action plan, and any written correspondence related thereto. The Department of Human Rights may review and revise any action taken by the Department of Transportation with respect to these requirements.



**RETURN WITH BID**

**Contract No. FR040  
Albertus Airport  
Freeport, Illinois  
Stephenson County  
Illinois Project No. FEP-4296  
SBG Project No. 3-17-SBGP-XX**

**PART II. WORKFORCE PROJECTION - continued**

- B. Included in "Total Employees" under Table A is the total number of **new hires** that would be employed in the event the undersigned bidder is awarded this contract.

The undersigned bidder projects that: (number) \_\_\_\_\_ new hires would be recruited from the area in which the contract project is located; and/or (number) \_\_\_\_\_ new hires would be recruited from the area in which the bidder's principal office or base of operation is located.

- C. Included in "Total Employees" under Table A is a projection of numbers of persons to be employed directly by the undersigned bidder as well as a projection of numbers of persons to be employed by subcontractors.

The undersigned bidder estimates that (number) \_\_\_\_\_ persons will be directly employed by the prime contractor and that (number) \_\_\_\_\_ persons will be employed by subcontractors.

**PART III. AFFIRMATIVE ACTION PLAN**

- A. The undersigned bidder understands and agrees that in the event the foregoing minority and female employee utilization projection included under **PART II** is determined to be an underutilization of minority persons or women in any job category, and in the event that the undersigned bidder is awarded this contract, he/she will, prior to commencement of work, develop and submit a written Affirmative Action Plan including a specific timetable (geared to the completion stages of the contract) whereby deficiencies in minority and/or female employee utilization are corrected. Such Affirmative Action Plan will be subject to approval by the contracting agency and the **Illinois Department of Human Rights**.
- B. The undersigned bidder understands and agrees that the minority and female employee utilization projection submitted herein, and the goals and timetable included under an Affirmative Action Plan if required, are deemed to be part of the contract specifications.

Company \_\_\_\_\_

Telephone Number \_\_\_\_\_

Address \_\_\_\_\_

**NOTICE REGARDING SIGNATURE**

The Bidder's signature on the Proposal Signature Sheet will constitute the signing of this form. The following signature block needs to be completed only if revisions are required.

Signature:  \_\_\_\_\_ Title: \_\_\_\_\_ Date: \_\_\_\_\_

Instructions: All tables must include subcontractor personnel in addition to prime contractor personnel.

Table A - Include both the number of employees that would be hired to perform the contract work and the total number currently employed (Table B) that will be allocated to contract work, and include all apprentices and on-the-job trainees. The "Total Employees" column should include all employees including all minorities, apprentices and on-the-job trainees to be employed on the contract work.

Table B - Include all employees currently employed that will be allocated to the contract work including any apprentices and on-the-job trainees currently employed.

Table C - Indicate the racial breakdown of the total apprentices and on-the-job trainees shown in Table A.

## RETURN WITH BID

### ADDITIONAL FEDERAL REQUIREMENTS

In addition to the Required Contract Provisions for Federally funded airport construction contracts, all bidders make the following certifications.

A. By the execution of this proposal, the signing bidder certifies that the bidding entity has not, either directly or indirectly, entered into any agreement, participated in any collusion, or otherwise taken any action, in restraint of free competitive bidding in connection with the submitted bid. This statement made by the undersigned bidder is true and correct under penalty of perjury under the laws of the United States.

#### B. CERTIFICATION, EQUAL EMPLOYMENT OPPORTUNITY

1. Have you participated in any previous contracts or subcontracts subject to the equal opportunity clause?  
Yes\_\_\_\_ No\_\_\_\_
2. If your answer is yes, have you filed with the Joint Reporting Committee, the Director of OFCC, any Federal agency, or the former President's Committee on Equal Employment Opportunity, all reports due under the applicable filing requirements of those organizations? Yes\_\_\_\_ No\_\_\_\_

**RETURN WITH BID**

**Contract No. FR040  
Albertus Airport  
Freeport, Illinois  
Stephenson County  
Illinois Project No. FEP-4296  
SBG Project No. 3-17-SBGP-XX**

PROPOSAL SIGNATURE SHEET

The undersigned bidder hereby makes and submits this bid on the subject Proposal, thereby assuring the Department that all requirements of the Invitation for Bids and rules of the Department have been met, that there is no misunderstanding of the requirements of paragraph 3 of this Proposal, and that the contract will be executed in accordance with the rules of the Department if an award is made on this bid.

Firm Name \_\_\_\_\_

(IF AN INDIVIDUAL) Signature of Owner \_\_\_\_\_

Business Address \_\_\_\_\_

\_\_\_\_\_

Firm Name \_\_\_\_\_

By \_\_\_\_\_

(IF A CO-PARTNERSHIP) Business Address \_\_\_\_\_

\_\_\_\_\_

Name and Address of All Members of the Firm:

\_\_\_\_\_

\_\_\_\_\_

Corporate Name \_\_\_\_\_

By \_\_\_\_\_

(IF A CORPORATION) Signature of Authorized Representative \_\_\_\_\_

Typed or printed name and title of Authorized Representative \_\_\_\_\_

(IF A JOINT VENTURE, USE THIS SECTION FOR THE MANAGING PARTY AND THE SECOND PARTY SHOULD SIGN BELOW) Attest \_\_\_\_\_

Signature \_\_\_\_\_

Business Address \_\_\_\_\_

\_\_\_\_\_

Corporate Name \_\_\_\_\_

By \_\_\_\_\_

(IF A JOINT VENTURE) Signature of Authorized Representative \_\_\_\_\_

Typed or printed name and title of Authorized Representative \_\_\_\_\_

Attest \_\_\_\_\_

Signature \_\_\_\_\_

Business Address \_\_\_\_\_

\_\_\_\_\_

If more than two parties are in the joint venture, please attach additional signature sheet



Sponsor \_\_\_\_\_ Item No. \_\_\_\_\_

IL Proj. No. \_\_\_\_\_ SBG Pr. No. \_\_\_\_\_ Letting Date \_\_\_\_\_

KNOW ALL MEN BY THESE PRESENTS, That We \_\_\_\_\_

as PRINCIPAL, and \_\_\_\_\_

\_\_\_\_\_ as SURETY, are held jointly, severally and firmly bound unto the SPONSOR identified above, in the penal sum of 5 percent of the total bid price, or for the amount specified in Section 6, Proposal Guaranty of the Proposal Document, whichever is the lesser sum, well and truly to be paid unto said SPONSOR, for the payment of which we bind ourselves, our heirs, executors, administrators, successors and assigns.

THE CONDITION OF THE FOREGOING OBLIGATION IS SUCH, that whereas, the PRINCIPAL has submitted a bid proposal to the SPONSOR through its AGENT, the State of Illinois, Department of Transportation, Division of Aeronautics, for the improvement designated by the Transportation Bulletin Item Number and Letting Date indicated above.

NOW, THEREFORE, if the SPONSOR through its AGENT shall accept the bid proposal of the PRINCIPAL; and if the PRINCIPAL shall, and as specified in the bidding and contract documents, submit a DBE Utilization Plan that is accepted and approved by the AGENT; and if, after the award by AGENT on behalf of SPONSOR, the PRINCIPAL shall enter into a contract in accordance with the terms of the bidding and contract documents, including evidence of the required insurance coverages and providing such bond as specified with good and sufficient surety for the faithful performance of such contract and for the prompt payment of labor and material furnished in the prosecution thereof; or if, in the event of the failure of the PRINCIPAL to make the required DBE submission or to enter into such contract and to give the specified bond, the PRINCIPAL pays to the SPONSOR the difference not to exceed the penalty hereof between the amount specified in the bid proposal and such larger amount for which the SPONSOR may contract with another party to perform the work covered by said bid proposal, then this obligation shall be null and void, otherwise, it shall remain in full force and effect.

IN THE EVENT the SPONSOR acting through its AGENT determines the PRINCIPAL has failed to comply with any requirement as set forth in the preceding paragraph, then SURETY shall pay the penal sum to the SPONSOR within fifteen (15) days of written demand therefor. If SURETY does not make full payment within such period of time, the AGENT may bring an action to collect the amount owed. SURETY is liable to the SPONSOR and to the AGENT for all its expenses, including attorney's fees, incurred in any litigation in which SPONSOR or AGENT prevail either in whole or in part.

In TESTIMONY WHEREOF, the said PRINCIPAL and the said SURETY have caused this instrument to be signed by their respective officers \_\_\_\_\_ day of \_\_\_\_\_ A.D., \_\_\_\_\_ .

PRINCIPAL

SURETY

\_\_\_\_\_  
(Company Name)

\_\_\_\_\_  
(Company Name)

By \_\_\_\_\_  
(Signature & Title)

By: \_\_\_\_\_  
(Signature of Attorney-in-Fact)

Notary Certification for Principal and Surety

STATE OF ILLINOIS,  
County of \_\_\_\_\_

I, \_\_\_\_\_, a Notary Public in and for said County, do hereby certify that \_\_\_\_\_ and \_\_\_\_\_  
(Insert names of individuals signing on behalf of PRINCIPAL & SURETY)

who are each personally known to me to be the same persons whose names are subscribed to the foregoing instrument on behalf of PRINCIPAL and SURETY, appeared before me this day in person and acknowledged respectively, that they signed and delivered said instrument as their free and voluntary act for the uses and purposes therein set forth.

Given under my hand and notarial seal this \_\_\_\_\_ day of \_\_\_\_\_ A.D. \_\_\_\_\_

My commission expires \_\_\_\_\_  
\_\_\_\_\_  
Notary Public

In lieu of completing the above section of the Proposal Bid Form, the Principal may file an Electronic Bid Bond. By signing the proposal and marking the check box next to the Signature and Title line below, the Principal is ensuring the identified electronic bid bond has been executed and the Principal and Surety are firmly bound unto the SPONSOR through its AGENT under the conditions of the bid bond as shown above.

Electronic Bid Bond ID# \_\_\_\_\_

Company / Bidder Name \_\_\_\_\_

Signature and Title \_\_\_\_\_



**Division of Highways  
Proposal Bid Bond  
(Return with Bid)**



Item No. \_\_\_\_\_

Letting Date \_\_\_\_\_

KNOW ALL PERSONS BY THESE PRESENTS, \_\_\_\_\_

as PRINCIPAL, \_\_\_\_\_

as SURETY, and held jointly, severally and firmly bound unto the STATE OF ILLINOIS in the penal sum of 5 percent of the total bid price, or for the amount specified in the bid proposal under "Proposal Guaranty" in effect on the date of the Invitation for Bids, whichever is the lesser sum, well and truly to be paid unto said STATE OF ILLINOIS, for the payment of which we bind ourselves, our heirs, executors, administrators, successors and assigns.

THE CONDITION OF THE FOREGOING OBLIGATION IS SUCH that whereas, the PRINCIPAL has submitted a bid proposal to the STATE OF ILLINOIS, acting through the Department of Transportation, for the improvement designated by the Transportation Bulletin Item Number and Letting Date indicated above.

NOW, THEREFORE, if the Department shall accept the bid proposal of the PRINCIPAL; and if the PRINCIPAL shall, within the time and as specified in the bidding and contract documents; and if, after award by the Department, the PRINCIPAL shall enter into a contract in accordance with the terms of the bidding and contract documents including evidence of the required insurance coverages and providing such bond as specified with good and sufficient surety for the faithful performance of such contract and for the prompt payment of labor and material furnished in the prosecution thereof; or if, in the event of the failure of the PRINCIPAL to enter into such contract and to give the specified bond, the PRINCIPAL pays to the Department the difference not to exceed the penalty hereof between the amount specified in the bid proposal and such larger amount for which the Department may contract with another party to perform the work covered by said bid proposal, then this obligation shall be null and void, otherwise, it shall remain in full force and effect.

IN THE EVENT the Department determines the PRINCIPAL has failed to comply with any requirement as set forth in the preceding paragraph, then Surety shall pay the penal sum to the Department within fifteen (15) days of written demand therefor. If Surety does not make full payment within such period of time, the Department may bring an action to collect the amount owed. Surety is liable to the Department for all its expenses, including attorney's fees, incurred in any litigation in which it prevails either in whole or in part.

In TESTIMONY WHEREOF, the said PRINCIPAL has caused this instrument to be signed by its officer  
\_\_\_\_\_ day of \_\_\_\_\_ A.D., \_\_\_\_\_

In TESTIMONY WHEREOF, the said SURETY has caused this instrument to be signed by its officer  
\_\_\_\_\_ day of \_\_\_\_\_ A.D., \_\_\_\_\_

\_\_\_\_\_  
(Company Name)

\_\_\_\_\_  
(Company Name)

By \_\_\_\_\_  
(Signature and Title)

By \_\_\_\_\_  
(Signature of Attorney-in-Fact)

**Notary for PRINCIPAL**

**Notary for SURETY**

STATE OF \_\_\_\_\_  
COUNTY OF \_\_\_\_\_

STATE OF \_\_\_\_\_  
COUNTY OF \_\_\_\_\_

Signed and attested before me on \_\_\_\_\_ (date)  
by \_\_\_\_\_  
(Name of Notary Public)

Signed and attested before me on \_\_\_\_\_ (date)  
by \_\_\_\_\_  
(Name of Notary Public)

(Seal) \_\_\_\_\_  
(Signature of Notary Public)

(Seal) \_\_\_\_\_  
(Signature of Notary Public)

\_\_\_\_\_  
(Date Commission Expires)

\_\_\_\_\_  
(Date Commission Expires)

In lieu of completing the above section of the Proposal Bid Bond form, the Principal may file an Electronic Bid Bond. By signing the proposal the Principal is ensuring the identified electronic bid bond has been executed and the Principal and Surety are firmly bound unto the State of Illinois under the conditions of the bid bond as shown above.

Electronic Bid Bond ID # \_\_\_\_\_ Company/Bidder Name \_\_\_\_\_ Signature and Title \_\_\_\_\_



**(1) Policy**

It is public policy that disadvantageded businesses as defined in 49 CFR Part 26 and the Special Provision shall have the maximum opportunity to participate in the performance of contracts financed in whole or in part with Federal or State funds. Consequently the requirements of 49 CFR Part 26 apply to this contract.

**(2) Obligation**

The contractor agrees to ensure that disadvantageded businesses as defined in 49 CFR Part 26 and the Special Provision have the maximum opportunity to participate in the performance of contracts or subcontracts financed in whole or in part with Federal or State funds. The contractor shall take all necessary and reasonable steps in accordance with 49 CFR Part 26 and the Special Provision to ensure that said businesses have the maximum opportunity to compete for and perform under this contract. The contractor shall not discriminate on the basis of race, color, national origin or sex in the award and performance of contracts.

**(3) Project and Bid Identification**

Complete the following information concerning the project and bid:

Route Albertus Airport

Section \_\_\_\_\_

Project FEP-4296

County Stephenson County

Letting Date July 29, 2016

Contract No. FR040

Letting Item No. 5A

Total Bid \_\_\_\_\_

Contract DBE Goal 7.0% \_\_\_\_\_

(Percent) (Dollar Amount)

**(4) Assurance**

I, acting in my capacity as an officer of the undersigned bidder (or bidders if a joint venture), hereby assure the Department that on this project my company : (check one)

Meets or exceeds contract award goals and has provided documented participation as follows:  
Disadvantaged Business Participation \_\_\_\_\_ percent

Attached are the signed participation statements, forms SBE 2025, required by the Special Provision evidencing availability and use of each business participating in this plan and assuring that each business will perform a commercially useful function in the work of the contract.

Failed to meet contract award goals and has included good faith effort documentation to meet the goals and that my company has provided participation as follows:

Disadvantaged Business Participation \_\_\_\_\_ percent

The contract goals should be accordingly modified or waived. Attached is all information required by the Special Provision in support of this request including good faith effort. Also attached are the signed participation statements, forms SBE 2025, required by the Special Provision evidencing availability and use of each business participating in this plan and assuring that each business will perform a commercially useful function in the work of the contract.

\_\_\_\_\_  
Company

By \_\_\_\_\_

Title \_\_\_\_\_

Date \_\_\_\_\_

The "as read" Low Bidder is required to comply with the Special Provision.  
Submit only one utilization plan for each project. The utilization plan shall be submitted in accordance with the special provision.

Bureau of Small Business Enterprises  
2300 South Dirksen Parkway  
Springfield, Illinois 62764

**Local Let Projects**  
Submit forms to the  
Local Agency

The Department of Transportation is requesting disclosure of information that is necessary to accomplish the purpose as outlined under State and Federal law. Disclosure of this information is **REQUIRED**. Failure to provide any information will result in the contract not being awarded. This form has been approved by the State Forms Manager Center.





Subcontractor Registration Number \_\_\_\_\_

Letting July 29, 2016

**Participation Statement**

Item No. 5A

(1) Instructions

Contract No. FR040

This form must be completed for each disadvantaged business participating in the Utilization Plan. This form shall be submitted in accordance with the special provision and will be attached to the Utilization Plan form. If additional space is needed complete an additional form for the firm. Trucking participation items; description must list what is anticipated towards goal credit.

(2) Work:

Please indicate: J/V \_\_\_\_\_ Manufacturer \_\_\_\_\_ Supplier (60%) \_\_\_\_\_ Subcontractor \_\_\_\_\_ Trucking \_\_\_\_\_

Pay Item No.	Description (Anticipated items for trucking)*	Quantity	Unit Price	Total
Total				

(3) Partial Payment Items (For any of the above items which are partial pay items)

Description must be sufficient to determine a Commercially Useful Function, specifically describe the work and subcontract dollar amount: \*Applies to trucking only

(4) Commitment

When a DBE is to be a second-tier subcontractor, or if the first-tier DBE subcontractor is going to be subcontracting a portion of its subcontract, it must be clearly indicated on the DBE Participation Statement, and the details of the transaction fully explained.

In the event a DBE subcontractor second-tiers a portion of its subcontract to one or more subcontractors during the work of a contract, the prime must submit a DBE Participation Statement, with the details of the transaction(s) fully explained.

The undersigned certify that the information included herein is true and correct, and that the DBE firm listed below has agreed to perform a commercially useful function in the work of the contract item(s) listed above and to execute a contract with the prime contractor or 1<sup>st</sup> Tier subcontractor. The undersigned further understand that no changes to this statement may be made without prior approval from the Department’s Bureau of Small Business Enterprises and that complete and accurate information regarding actual work performed on this project and the payment therefore must be provided to the Department.

\_\_\_\_\_  
Signature for Contractor \_\_\_ 1<sup>st</sup> Tier \_\_\_ 2<sup>nd</sup> Tier

\_\_\_\_\_  
Signature for DBE Firm \_\_\_ 1<sup>st</sup> Tier \_\_\_ 2<sup>nd</sup> Tier

Date \_\_\_\_\_

Date \_\_\_\_\_

Contact \_\_\_\_\_

Contact \_\_\_\_\_

Title \_\_\_\_\_

Title \_\_\_\_\_

Firm Name \_\_\_\_\_

Firm Name \_\_\_\_\_

Address \_\_\_\_\_

Address \_\_\_\_\_

City/State/Zip \_\_\_\_\_

City/State/Zip \_\_\_\_\_

Phone \_\_\_\_\_

Phone \_\_\_\_\_

Email Address \_\_\_\_\_

Email Address \_\_\_\_\_

The Department of Transportation is requesting disclosure of information that is necessary to accomplish the statutory purpose as outlined under the state and federal law. Disclosure of this information is **REQUIRED**. Failure to provide any information will result in the contract not being awarded. This form has been approved by the State Forms Management Center.

E \_\_\_\_\_  
WC \_\_\_\_\_

PROPOSAL ENVELOPE



# PROPOSALS

for construction work advertised for bids by the  
Illinois Department of Transportation

Item No.	Item No.	Item No.

Submitted By:

Name:
Address:
Phone No.

Bidders should use an IDOT proposal envelope or affix this form to the front of a 10" x 13" envelope for the submittal of bids. If proposals are mailed, they should be enclosed in a second or outer envelope addressed to:

Engineer of Design and Environment - Room 326  
Illinois Department of Transportation  
2300 South Dirksen Parkway  
Springfield, Illinois 62764

**NOTICE**

Individual bids, including Bid Bond and/or supplemental information if required, should be securely stapled.

# CONTRACTOR OFFICE COPY OF CONTRACT SPECIFICATIONS

## NOTICE

None of the following material needs to be returned with the bid package unless the special provisions require documentation and/or other information to be submitted.

**Contract No. FR040  
Albertus Airport  
Freeport, Illinois  
Stephenson County  
Illinois Project No. FEP-4296  
SBG Project No. 3-17-SBGP-XX**



**Illinois Department of Transportation**

## **SUBCONTRACTOR DOCUMENTATION**

Public Acts 96-0795, 96-0920, and 97-0895 enacted substantial changes to the provisions of the Code (30 ILCS 500). Among the changes are provisions affecting subcontractors. The Contractor awarded this contract will be required as a material condition of the contract to implement and enforce the contract requirements applicable to subcontractors that entered into a contractual agreement with a total value of \$50,000 or more with a person or entity who has a contract subject to the Code and approved in accordance with Section 80-01 of the Illinois Standard Specifications for Construction of Airports.

If the Contractor seeks approval of subcontractors to perform a portion of the work, and approval is granted by the Department, the Contractor shall provide a copy of the subcontract to the Illinois Department of Transportation's CPO upon request within 15 calendar days after execution of the subcontract.

Financial disclosures required pursuant to Section 50-35 of the Code must be submitted for all applicable subcontractors. The subcontract shall contain the certifications required to be made by subcontractors pursuant to Article 50 of the Code. This Notice to Bidders includes a document incorporating all required subcontractor certifications and disclosures for use by the Contractor in compliance with this mandate. The document is entitled State Required Ethical Standards Governing Subcontractors.

## RETURN WITH SUBCONTRACT

### STATE ETHICAL STANDARDS GOVERNING SUBCONTRACTORS

Article 50 of the Code establishes the duty of all State CPOs, SPOs, and their designees to maximize the value of the expenditure of public moneys in procuring goods, services, and contracts for the State of Illinois and to act in a manner that maintains the integrity and public trust of State government. In discharging this duty, they are charged by law to use all available information, reasonable efforts, and reasonable actions to protect, safeguard, and maintain the procurement process of the State of Illinois.

The certifications hereinafter made by the subcontractor are each a material representation of fact upon which reliance is placed should the Department approve the subcontractor. The CPO may terminate or void the contract approval if it is later determined that the bidder or subcontractor rendered a false or erroneous certification. If a false certification is made by a subcontractor the contractor's submitted bid and the executed contract may not be declared void unless the contractor refuses to terminate the subcontract upon the State's request after a finding that the subcontractor's certification was false.

Section 50-2 of the Code provides that every person that has entered into a multi-year contract and every subcontractor with a multi-year subcontract shall certify, by July 1 of each fiscal year covered by the contract after the initial fiscal year, to the responsible CPO whether it continues to satisfy the requirements of Article 50 pertaining to the eligibility for a contract award. If a contractor or subcontractor is not able to truthfully certify that it continues to meet all requirements, it shall provide with its certification a detailed explanation of the circumstances leading to the change in certification status. A contractor or subcontractor that makes a false statement material to any given certification required under Article 50 is, in addition to any other penalties or consequences prescribed by law, subject to liability under the Whistleblower Reward and Protection Act for submission of a false claim.

#### **A. Bribery**

Section 50-5. Bribery.

(a) Prohibition. No person or business shall be awarded a contract or subcontract under this Code who:

(1) has been convicted under the laws of Illinois or any other state of bribery or attempting to bribe an officer or employee of the State of Illinois or any other state in that officer's or employee's official capacity; or

(2) has made an admission of guilt of that conduct that is a matter of record but has not been prosecuted for that conduct.

(b) Businesses. No business shall be barred from contracting with any unit of State or local government, or subcontracting under such a contract, as a result of a conviction under this Section of any employee or agent of the business if the employee or agent is no longer employed by the business and:

(1) the business has been finally adjudicated not guilty; or

(2) the business demonstrates to the governmental entity with which it seeks to contract, or which is signatory to the contract to which the subcontract relates, and that entity finds that the commission of the offense was not authorized, requested, commanded, or performed by a director, officer, or high managerial agent on behalf of the business as provided in paragraph (2) of subsection (a) of Section 5-4 of the Criminal Code of 2012.

(c) Conduct on behalf of business. For purposes of this Section, when an official, agent, or employee of a business committed the bribery or attempted bribery on behalf of the business and in accordance with the direction or authorization of a responsible official of the business, the business shall be chargeable with the conduct.

(d) Certification. Every bid submitted to and contract executed by the State, and every subcontract subject to Section 20-120 of the Code shall contain a certification by the contractor or the subcontractor, respectively, that the contractor or subcontractor is not barred from being awarded a contract or subcontract under this Section and acknowledges that the CPO may declare the related contract void if any certifications required by this Section are false. A contractor who makes a false statement, material to the certification, commits a Class 3 felony.

The contractor or subcontractor certifies that it is not barred from being awarded a contract under Section 50-5.

#### **B. Felons**

Section 50-10. Felons.

(a.) Unless otherwise provided, no person or business convicted of a felony shall do business with the State of Illinois or any State agency, or enter into a subcontract, from the date of conviction until 5 years after the date of completion of the sentence for that felony, unless no person held responsible by a prosecutorial office for the facts upon which the conviction was based continues to have any involvement with the business.

(b.) Certification. Every bid submitted to and contract executed by the State and every subcontract subject to Section 20-120 of the Code shall contain a certification by the bidder or contractor or subcontractor, respectively, that the bidder, contractor, or subcontractor is not barred from being awarded a contract or subcontract under this Section and acknowledges that the CPO may declare the related contract void if any of the certifications required by this Section are false.

**RETURN WITH SUBCONTRACT**

**C. Debt Delinquency**

Section 50-11 and 50-12. Debt Delinquency.

The contractor or bidder or subcontractor, respectively, certifies that it, or any affiliate, is not barred from being awarded a contract or subcontract under the Code. Section 50-11 prohibits a person from entering into a contract with a State agency, or entering into a subcontract, if it knows or should know that it, or any affiliate, is delinquent in the payment of any debt to the State as defined by the Debt Collection Board. Section 50-12 prohibits a person from entering into a contract with a State agency, or entering into a subcontract, if it, or any affiliate, has failed to collect and remit Illinois Use Tax on all sales of tangible personal property into the State of Illinois in accordance with the provisions of the Illinois Use Tax Act. The bidder or contractor or subcontractor, respectively, further acknowledges that the CPO may declare the related contract void if this certification is false or if the bidder, contractor, or subcontractor, or any affiliate, is determined to be delinquent in the payment of any debt to the State during the term of the contract.

**D. Prohibited Bidders, Contractors and Subcontractors**

Section 50-10.5 and 50-60(c). Prohibited bidders, contractors and subcontractors.

The bidder or contractor or subcontractor, respectively, certifies in accordance with 30 ILCS 500/50-10.5 that no officer, director, partner or other managerial agent of the contracting business has been convicted of a felony under the Sarbanes-Oxley Act of 2002 or a Class 3 or Class 2 felony under the Illinois Securities Law of 1953 or if in violation of Subsection (c) for a period of five years from the date of conviction. Every bid submitted to and contract executed by the State and every subcontract subject to Section 20-120 of the Code shall contain a certification by the bidder, contractor, or subcontractor, respectively, that the bidder, contractor, or subcontractor is not barred from being awarded a contract or subcontract under this Section and acknowledges that the CPO shall declare the related contract void if any of the certifications completed pursuant to this Section are false.

**E. Section 42 of the Environmental Protection Act**

The bidder or contractor or subcontractor, respectively, certifies in accordance with 30 ILCS 500/50-14 that the bidder, contractor, or subcontractor, is not barred from being awarded a contract or entering into a subcontract under this Section which prohibits the bidding on or entering into contracts with the State of Illinois or a State agency, or entering into any subcontract, that is subject to the Code by a person or business found by a court or the Pollution Control Board to have committed a willful or knowing violation of Section 42 of the Environmental Protection Act for a period of five years from the date of the order. The bidder or contractor or subcontractor, respectively, acknowledges that the CPO may declare the contract void if this certification is false.

**The undersigned, on behalf of the subcontracting company, has read and understands the above certifications and makes the certifications as required by law.**

<hr/>		
Name of Subcontracting Company		
<hr/>		<hr/>
Authorized Officer		Date

## RETURN WITH SUBCONTRACT

### SUBCONTRACTOR DISCLOSURES

#### I. DISCLOSURES

- A. The disclosures hereinafter made by the subcontractor are each a material representation of fact upon which reliance is placed. The subcontractor further certifies that the Department has received the disclosure forms for each subcontract.

The CPO may void the bid, contract, or subcontract, respectively, if it is later determined that the bidder or subcontractor rendered a false or erroneous disclosure. A contractor or subcontractor may be suspended or debarred for violations of the Code. Furthermore, CPO may void the contract.

#### B. Financial Interests and Conflicts of Interest

1. Section 50-35 of the Code provides that all subcontracts with a total value of \$50,000 or more from subcontractors identified in Section 20-120 of the Code shall be accompanied by disclosure of the financial interests of the subcontractor. This disclosed information for the subcontractor, will be maintained as public information subject to release by request pursuant to the Freedom of Information Act, filed with the Procurement Policy Board, and shall be incorporated as a material term of the Prime Contractor's contract. Furthermore, pursuant to this Section, the Procurement Policy Board may recommend to allow or void a contract or subcontract based on a potential conflict of interest.

The financial interests to be disclosed shall include ownership or distributive income share that is in excess of 5%, or an amount greater than 60% of the annual salary of the Governor, of the subcontracting entity or its parent entity, whichever is less, unless the subcontractor is a publicly traded entity subject to Federal 10K reporting, in which case it may submit its 10K disclosure in place of the prescribed disclosure. If a subcontractor is a privately held entity that is exempt from Federal 10K reporting, but has more than 100 shareholders, it may submit the information that Federal 10K companies are required to report, and list the names of any individual or entity holding any ownership share that is in excess of 5%. The disclosure shall include the names, addresses, and dollar or proportionate share of ownership of each Individual making the disclosure, their instrument of ownership or beneficial relationship, and notice of any potential conflict of interest resulting from the current ownership or beneficial interest of each individual making the disclosure having any of the relationships identified in Section 50-35 and on the disclosure form.

**The current annual salary of the Governor is \$177,412.00.**

In addition, all disclosures shall indicate any other current or pending contracts, subcontracts, proposals, leases, or other ongoing procurement relationships the subcontracting entity has with any other unit of state government and shall clearly identify the unit and the contract, subcontract, proposal, lease, or other relationship.

2. Disclosure Forms. Disclosure Form A is attached for use concerning the individuals meeting the above ownership or distributive share requirements. A separate Disclosure Form A must be submitted with the bid for each individual meeting the above requirements. In addition, a second form (Disclosure Form B) provides for the disclosure of current or pending procurement relationships with other (non-IDOT) state agencies and a total ownership certification. **The forms must be included with each bid.**

#### C. Disclosure Form Instructions

##### Form A Instructions for Financial Information & Potential Conflicts of Interest

If the subcontractor is a publicly traded entity subject to Federal 10K reporting, the 10K Report may be submitted to meet the requirements of Form A. If a subcontractor is a privately held entity that is exempt from Federal 10K reporting, but has more than 100 shareholders, it may submit the information that Federal 10K companies are required to report, and list the names of any individual or entity holding any ownership share that is in excess of 5%. If a subcontractor is not subject to Federal 10K reporting, the subcontractor must determine if any individuals are required by law to complete a financial disclosure form. To do this, the subcontractor should answer each of the following questions. A "YES" answer indicates Form A must be completed. If the answer to each of the following questions is "NO", then the NOT APPLICABLE STATEMENT on the second page of Form A must be signed and dated by an individual that is authorized to execute contracts for the subcontracting company. Note: These questions are for assistance only and are not required to be completed.

1. Does anyone in your organization have a direct or beneficial ownership share of greater than 5% of the bidding entity or parent entity?  
YES \_\_\_\_\_ NO \_\_\_\_\_
2. Does anyone in your organization have a direct or beneficial ownership share of less than 5%, but which has a value greater than 60% of the annual salary of the Governor? YES \_\_\_\_\_ NO \_\_\_\_\_
3. Does anyone in your organization receive more than 60% of the annual salary of the Governor of the subcontracting entity's or parent entity's distributive income? (Note: Distributive income is, for these purposes, any type of distribution of profits. An annual salary is not distributive income.) YES \_\_\_\_\_ NO \_\_\_\_\_
4. Does anyone in your organization receive greater than 5% of the subcontracting entity's or parent entity's total distributive income, but which is less than 60% of the annual salary of the Governor? YES \_\_\_\_\_ NO \_\_\_\_\_

(Note: Only one set of forms needs to be completed per individual per subcontract even if a specific individual would require a yes answer to more than one question.)

A "YES" answer to any of these questions requires the completion of Form A. The subcontractor must determine each individual in the subcontracting entity or the subcontracting entity's parent company that would cause the questions to be answered "Yes". Each form must be signed and dated by an individual that is authorized to execute contracts for your organization. The individual signing can be, but does not have to be, the individual for which the form is being completed. The subcontractor is responsible for the accuracy of any information provided.

If the answer to each of the above questions is "NO", then the NOT APPLICABLE STATEMENT on page 2 of Form A must be signed and dated by an individual that is authorized to execute contracts for your company.

## RETURN WITH SUBCONTRACT

### **Form B: Instructions for Identifying Other Contracts & Procurement Related Information**

Disclosure Form B must be completed for each subcontract submitted by the subcontracting entity. *Note: Checking the NOT APPLICABLE STATEMENT on Form A does not allow the subcontractor to ignore Form B. Form B must be completed, checked, and dated or the subcontract will not be approved.*

The Subcontractor shall identify, by checking Yes or No on Form B, whether it has any pending contracts, subcontracts, leases, bids, proposals, or other ongoing procurement relationship with any other (non-IDOT) State of Illinois agency. If "No" is checked, the subcontractor only needs to complete the check box on the bottom of Form B. If "Yes" is checked, the subcontractor must list all non-IDOT State of Illinois agency pending contracts, subcontracts, leases, bids, proposals, and other ongoing procurement relationships. These items may be listed on Form B or on an attached sheet(s). Contracts with cities, counties, villages, etc. are not considered State of Illinois agency contracts and are not to be included. Contracts or subcontracts with other State of Illinois agencies such as the Department of Natural Resources or the Capital Development Board must be included.



ILLINOIS DEPARTMENT OF TRANSPORTATION

Form A
Subcontractor: Financial Information & Potential Conflicts of Interest Disclosure

Form with fields: Subcontractor Name, Legal Address, City, State, Zip, Telephone Number, Email Address, Fax Number (if available)

Disclosure of the information contained in this Form is required by Section 50-35 of the Code (30 ILCS 500). Subcontractors desiring to enter into a subcontract of a State of Illinois contract must disclose the financial information and potential conflict of interest information as specified in this Disclosure Form.

The current annual salary of the Governor is \$177,412.00.

DISCLOSURE OF FINANCIAL INFORMATION

1. Disclosure of Financial Information. The individual named below has an interest in the SUBCONTRACTOR (or its parent) in terms of ownership or distributive income share in excess of 5%, or an interest which has a value of more than 60% of the annual salary of the Governor.

FOR INDIVIDUAL (type or print information)
NAME:
ADDRESS
Type of ownership/distributable income share:
stock sole proprietorship Partnership other: (explain on separate sheet):
% or \$ value of ownership/distributable income share:

2. Disclosure of Potential Conflicts of Interest. Check "Yes" or "No" to indicate which, if any, of the following potential conflict of interest relationships apply. If the answer to any question is "Yes", please attach additional pages and describe.

(a) State employment, currently or in the previous 3 years, including contractual employment of services. Yes No

If your answer is yes, please answer each of the following questions.

- 1. Are you currently an officer or employee of either the Capitol Development Board or the Illinois State Toll Highway Authority? Yes No
2. Are you currently appointed to or employed by any agency of the State of Illinois? If you are currently appointed to or employed by any agency of the State of Illinois, and your annual salary exceeds 60% of the annual salary of the Governor, provide the name the State agency for which you are employed and your annual salary

**RETURN WITH SUBCONTRACT**

- 3. If you are currently appointed to or employed by any agency of the State of Illinois, and your annual salary exceeds 60% of the annual salary of the Governor, are you entitled to receive (i) more than 7 1/2% of the total distributable income of your firm, partnership, association or corporation, or (ii) an amount in excess of 100% of the annual salary of the Governor? Yes \_\_\_\_\_ No \_\_\_\_\_
- 4. If you are currently appointed to or employed by any agency of the State of Illinois, and your annual salary exceeds 60% of the annual salary of the Governor, are you and your spouse or minor children entitled to receive (i) more than 15 % in the aggregate of the total distributable income of your firm, partnership, association or corporation, or (ii) an amount in excess of two times the salary of the Governor? Yes \_\_\_\_\_ No \_\_\_\_\_

---

(b) State employment of spouse, father, mother, son, or daughter, including contractual employment services in the previous 2 years. Yes \_\_\_\_\_ No \_\_\_\_\_

If your answer is yes, please answer each of the following questions.

- 1. Is your spouse or any minor children currently an officer or employee of the Capitol Development Board or the Illinois State Toll Highway Authority? Yes \_\_\_\_\_ No \_\_\_\_\_
- 2. Is your spouse or any minor children currently appointed to or employed by any agency of the State of Illinois? If your spouse or minor children is/are currently appointed to or employed by any agency of the State of Illinois, and his/her annual salary exceeds 60% of the annual salary of the Governor, provide the name of your spouse and/or minor children, the name of the State agency for which he/she is employed and his/her annual salary. \_\_\_\_\_
- 3. If your spouse or any minor children is/are currently appointed to or employed by any agency of the State of Illinois, and his/her annual salary exceeds 60% of the annual salary of the Governor, are you entitled to receive (i) more than 7 1/2% of the total distributable income of your firm, partnership, association or corporation, or (ii) an amount in excess of the salary of the Governor? Yes \_\_\_\_\_ No \_\_\_\_\_
- 4. If your spouse or any minor children are currently appointed to or employed by any agency of the State of Illinois, and his/her annual salary exceeds 60% of the annual salary of the Governor, are you and your spouse or minor children entitled to receive (i) more than 15 % in the aggregate of the total distributable income of your firm, partnership, association or corporation, or (ii) an amount in excess of 2 times the salary of the Governor? Yes \_\_\_\_\_ No \_\_\_\_\_

---

(c) Elective status; the holding of elective office of the State of Illinois, the government of the United States, any unit of local government authorized by the Constitution of the State of Illinois or the statutes of the State of Illinois currently or in the previous 3 years. Yes \_\_\_\_\_ No \_\_\_\_\_

---

(d) Relationship to anyone holding elective office currently or in the previous 2 years; spouse, father, mother, son, or daughter. Yes \_\_\_\_\_ No \_\_\_\_\_

---

(e) Appointive office; the holding of any appointive government office of the State of Illinois, the United States of America, or any unit of local government authorized by the Constitution of the State of Illinois or the statutes of the State of Illinois, which office entitles the holder to compensation in excess of the expenses incurred in the discharge of that office currently or in the previous 3 years. Yes \_\_\_\_\_ No \_\_\_\_\_

---

(f) Relationship to anyone holding appointive office currently or in the previous 2 years; spouse, father, mother, son, or daughter. Yes \_\_\_\_\_ No \_\_\_\_\_

---

(g) Employment, currently or in the previous 3 years, as or by any registered lobbyist of the State government. Yes \_\_\_\_\_ No \_\_\_\_\_

---

**RETURN WITH SUBCONTRACT**

(h) Relationship to anyone who is or was a registered lobbyist in the previous 2 years; spouse, father, mother, son, or daughter. Yes \_\_\_\_\_ No \_\_\_\_\_

(i) Compensated employment, currently or in the previous 3 years, by any registered election or reelection committee registered with the Secretary of State or any county clerk of the State of Illinois, or any political action committee registered with either the Secretary of State or the Federal Board of Elections. Yes \_\_\_\_\_ No \_\_\_\_\_

(j) Relationship to anyone; spouse, father, mother, son, or daughter; who was a compensated employee in the last 2 years by any registered election or re-election committee registered with the Secretary of State or any county clerk of the State of Illinois, or any political action committee registered with either the Secretary of State or the Federal Board of Elections. Yes \_\_\_\_\_ No \_\_\_\_\_

**3. Communication Disclosure.**

Disclose the name and address of each lobbyist and other agent of the bidder or offeror who is not identified in Section 2 of this form, who has communicated, is communicating, or may communicate with any State officer or employee concerning the bid or offer. This disclosure is a continuing obligation and must be promptly supplemented for accuracy throughout the process and throughout the term of the contract. If no person is identified, enter "None" on the line below:

Name and address of person(s): \_\_\_\_\_  
\_\_\_\_\_  
\_\_\_\_\_  
\_\_\_\_\_

**RETURN WITH SUBCONTRACT**

**4. Suspension or Debarment Disclosure.** For each of the persons identified under Sections 2 and 3 of this form, disclose whether any of the following has occurred within the previous 10 years: suspension or debarment from contracting with any governmental entity; professional licensure discipline; bankruptcies; adverse civil judgments and administrative findings; and criminal felony convictions. This disclosure is a continuing obligation and must be promptly supplemented for accuracy throughout the procurement process and term of the contract. If no person is identified, enter "None" on the line below:

Name of person(s): \_\_\_\_\_

Nature of disclosure: \_\_\_\_\_

\_\_\_\_\_

\_\_\_\_\_

**APPLICABLE STATEMENT**

**This Disclosure Form A is submitted on behalf of the INDIVIDUAL named on previous page. Under penalty of perjury, I certify the contents of this disclosure to be true and accurate to the best of my knowledge.**

Completed by:  \_\_\_\_\_ Date \_\_\_\_\_  
Signature of Individual or Authorized Officer

**NOT APPLICABLE STATEMENT**

**Under penalty of perjury, I have determined that no individuals associated with this organization meet the criteria that would require the completion of this Form A.**

**This Disclosure Form A is submitted on behalf of the SUBCONTRACTOR listed on the previous page.**

\_\_\_\_\_ Date \_\_\_\_\_  
Signature of Authorized Officer

RETURN WITH SUBCONTRACT

ILLINOIS DEPARTMENT OF TRANSPORTATION

Form B
Subcontractor: Other Contracts & Procurement Related Information Disclosure

Form with fields: Subcontractor Name, Legal Address, City, State, Zip, Telephone Number, Email Address, Fax Number (if available)

Disclosure of the information contained in this Form is required by Section 50-35 of the Code (30 ILCS 500). This information shall become part of the publicly available contract file. This Form B must be completed for subcontracts with a total value of \$50,000 or more, from subcontractors identified in Section 20-120 of the Code, and for all open-ended contracts.

DISCLOSURE OF OTHER CONTRACTS, SUBCONTRACTS, AND PROCUREMENT RELATED INFORMATION

1. Identifying Other Contracts & Procurement Related Information. The SUBCONTRACTOR shall identify whether it has any pending contracts, subcontracts, including leases, bids, proposals, or other ongoing procurement relationship with any other State of Illinois agency: Yes \_\_\_\_\_ No \_\_\_\_\_
If "No" is checked, the subcontractor only needs to complete the signature box on the this page.

2. If "Yes" is checked. Identify each such relationship by showing State of Illinois agency name and other descriptive information such as bid or project number (attach additional pages as necessary). SEE DISCLOSURE FORM INSTRUCTIONS:

THE FOLLOWING STATEMENT MUST BE CHECKED

Signature box with fields: Signature of Authorized Officer, Date

OWNERSHIP CERTIFICATION

Please certify that the following statement is true if the individuals for all submitted Form A disclosures do not total 100% of ownership.

Any remaining ownership interest is held by individuals receiving less than \$106,447.20 of the bidding entity's or parent entity's distributive income or holding less than a 5% ownership interest.

Yes No N/A (Form A disclosure(s) established 100% ownership)



## NOTICE TO BIDDERS

1. **TIME AND PLACE OF OPENING BIDS.** Sealed proposals for the improvement described herein will be received by the Department of Transportation. Electronic bids are to be submitted to the electronic bidding system (iCX-Integrated Contractors Exchange). Paper-based bids are to be submitted to the Chief Procurement Officer for the Department of Transportation in care of the Chief Contracts Official at the Harry R. Hanley Building, 2300 South Dirksen Parkway in Springfield, Illinois until 10:00 a.m., July 29, 2016. All bids will be gathered, sorted, publicly opened and read in the auditorium at the Department of Transportation's Harry R. Hanley Building shortly after 10:00 a.m.

2. **DESCRIPTION OF WORK.** The proposed improvement is identified and advertised for bids in the Invitation for Bids as:

**Contract No. FR040  
Albertus Airport  
Freeport, Illinois  
Stephenson County  
Illinois Project No. FEP-4296  
SBG Project No. 3-17-SBGP-XX**

**Rehabilitate Runway 6/24**

3. **INSTRUCTIONS TO BIDDERS.**

(a) This Notice, the invitation for bids, proposal and letter of award shall, together with all other documents in accordance with Article 10-18 of the Illinois Standard Specifications for Construction of Airports, become part of the contract. Bidders are cautioned to read and examine carefully all documents, to make all required inspections, and to inquire or seek explanation of the same prior to submission of a bid.

(b) State law, and, if the work is to be paid wholly or in part with Federal-aid funds, Federal law requires the bidder to make various certifications as a part of the proposal and contract. By execution and submission of the proposal, the bidder makes the certification contained therein. A false or fraudulent certification shall, in addition to all other remedies provided by law, be a breach of contract and may result in termination of the contract.

4. **AWARD CRITERIA AND REJECTION OF BIDS.** This contract will be awarded within 60 calendar days to the lowest responsive and responsible bidder considering conformity with the terms and conditions established by the Department in the proposal and contract documents. The issuance of plans and proposal forms for bidding based upon a prequalification rating shall not be the sole determinant of responsibility. The Department reserves the right to determine responsibility at the time of award, to reject any or all proposals, to readvertise the proposed improvement, and to waive technicalities.

5. **PRE-BID CONFERENCE.** N/A

6. **DISADVANTAGED BUSINESS POLICY.** The DBE goal for this contract is 7.0%.

7. **SPECIFICATIONS AND DRAWINGS.** The work shall be done in accordance with the Illinois Standard Specifications for Construction of Airports, the Illinois Division of Aeronautics Supplemental Specifications and Recurring Special Provisions, the Special Provisions dated June 3, 2016 and the Construction Plans dated June 3, 2016 as approved by the Department of Transportation, Division of Aeronautics.

**8. BIDDING REQUIREMENTS AND BASIS OF AWARD.** When alternates are included in the proposal, the following shall apply:

a. Additive Alternates

(1) Bidders must submit a bid for the Base Bid and for all Additive Alternates.

(2) Award of this contract will be made to the lowest responsible qualified bidder computed as follows:

The lowest aggregate amount of (i) the Base Bid plus (ii) any Additive Alternate(s) which the Department elects to award.

The Department may elect not to award any Additive Alternates. In that case, award will be to the lowest responsible qualified bidder of the Base Bid.

b. Optional Alternates

(1) Bidders must submit a bid for the Base Bid and for either Alternate A or Alternate B or for both Alternate A and Alternate B.

(2) Award of this contract will be made to the lowest responsible qualified bidder computed as follows:

The lower of the aggregate of either (i) the Base Bid plus Alternate A or (ii) the Base Bid plus Alternate B.

**9. CONTRACT TIME.** The Contractor shall complete all work within the specified contract time. Any calendar day extension beyond the specified contract time must be fully justified, requested by the Contractor in writing, and approved by the Engineer, or be subject to liquidated damages.

The contract time for this contract is 44 calendar days.

**10. INDEPENDENT WEIGHT CHECKS.** The Department reserves the right to conduct random unannounced independent weight checks on any delivery for bituminous, aggregate or other pay item for which the method of measurement for payment is based on weight. The weight checks will be accomplished by selecting, at random, a loaded truck and obtaining a loaded and empty weight on an independent scale. In addition, the department may perform random weight checks by obtaining loaded and empty truck weights on portable scales operated by department personnel.

**11. GOOD FAITH COMPLIANCE.** The Illinois Department of Transportation has made a good faith effort to include all statements, requirements, and other language required by federal and state law and by various offices within federal and state governments whether that language is required by law or not. If anything of this nature has been left out or if additional language etc. is later required, the bidder/contractor shall cooperate fully with the Department to modify the contract or bid documents to correct the deficiency. If the change results in increased operational costs, the Department shall reimburse the contractor for such costs as it may find to be reasonable.

By Order of the  
Illinois Department of Transportation

Randall S. Blankenhorn  
Secretary of Transportation

ILLINOIS DEPARTMENT OF TRANSPORTATION  
DIVISION OF AERONAUTICS

**REQUIRED CONTRACT PROVISIONS FOR STATE FUNDED AIRPORT CONSTRUCTION PROJECTS**

The following provisions are State of Illinois requirements and are in addition to the REQUIRED CONTRACT PROVISIONS FOR AIRPORT IMPROVEMENT PROGRAM AND FOR OBLIGATED SPONSORS

**DISADVANTAGED BUSINESS POLICY**

NOTICE: This proposal contains the special provision entitled "Disadvantaged Business Participation." Inclusion of this Special Provision in this contract satisfies the obligations of the Department of Transportation under federal law as implemented by 49 CFR 23 and under the Illinois "Minority and Female Business Enterprise Act."

POLICY: It is public policy that the businesses defined in 49 CFR Part 23 shall have the maximum opportunity to participate in the performance of contracts financed in whole or in part with State or Federal funds. Consequently, the requirements of 49 CFR Part 23 apply to this contract.

OBLIGATION: The Contractor agrees to ensure that the businesses defined in 49 CFR Part 23 have the maximum opportunity to participate in the performance of this contract. In this regard, the Contractor shall take all necessary and reasonable steps, in accordance with 49 CFR Part 23, to ensure that the said businesses have the maximum opportunity to compete for and perform portions of this contract. The Contractor shall not discriminate on the basis of race, color, national origin, or sex in the selection and retention of subcontractors, including procurement of materials and leases of equipment.

The Contractor shall include the above Policy and Obligation statements of this Special Provision in every subcontract, including procurement of materials and leases of equipment.

DBE/WBE CONTRACTOR FINANCE PROGRAM: On contracts where a loan has been obtained through the DBE/WBE Contractor Finance Program, the Contractor shall cooperate with the Department by making all payments due to the DBE/WBE Contractor by means of a two-payee check payable to the Lender (Bank) and the Borrower (DBE/WBE Contractor).

BREACH OF CONTRACT: Failure to carry out the requirements set forth above and in the Special Provision shall constitute a breach of contract and may result in termination of the contract or liquidated damages as provided in the special provision.

**SPECIAL PROVISION FOR DISADVANTAGED BUSINESS ENTERPRISE PARTICIPATION (BDE)**

**Effective: September 1, 2000**

**Revised: July 2, 2016**

FEDERAL OBLIGATION. The Department of Transportation, as a recipient of federal financial assistance, is required to take all necessary and reasonable steps to ensure nondiscrimination in the award and administration of contracts. Consequently, the federal regulatory provisions of 49 CFR Part 26 apply to this contract concerning the utilization of disadvantaged business enterprises. For the purposes of this Special Provision, a disadvantaged business enterprise (DBE) means a business certified by the Department in accordance with the requirements of 49 CFR Part 26 and listed in the Illinois Unified Certification Program (IL UCP) DBE Directory.

STATE OBLIGATION. This Special Provision will also be used by the Department to satisfy the requirements of the Business Enterprise for Minorities, Females, and Persons with Disabilities Act, 30 ILCS 575. When this Special Provision is used to satisfy state law requirements on 100 percent state-funded contracts, the federal government has no involvement in such contracts (not a federal-aid contract) and no responsibility to oversee the implementation of this Special Provision by the Department on those contracts. DBE participation on 100 percent state-funded contracts will not be credited toward fulfilling the Department's annual overall DBE goal required by the US Department of Transportation to comply with the federal DBE program requirements.

CONTRACTOR ASSURANCE. The Contractor makes the following assurance and agrees to include the assurance in each subcontract that the Contractor signs with a subcontractor.

The Contractor, subrecipient, or subcontractor shall not discriminate on the basis of race, color, national origin, or sex in the performance of this contract. The Contractor shall carry out applicable requirements of 49 CFR Part 26 in the award and administration of contracts funded in whole or in part with federal or state funds. Failure by the Contractor to carry out these requirements is a material breach of this contract, which may result in the termination of this contract or such other remedy as the recipient deems appropriate, which may include, but is not limited to:

- (a) Withholding progress payments;
- (b) Assessing sanctions;
- (c) Liquidated damages; and/or
- (d) Disqualifying the Contractor from future bidding as non-responsible.



OVERALL GOAL SET FOR THE DEPARTMENT. As a requirement of compliance with 49 CFR Part 26, the Department has set an overall goal for DBE participation in its federally assisted contracts. That goal applies to all federal-aid funds the Department will expend in its federally assisted contracts for the subject reporting fiscal year. The Department is required to make a good faith effort to achieve the overall goal. The dollar amount paid to all approved DBE companies performing work called for in this contract is eligible to be credited toward fulfillment of the Department's overall goal.

CONTRACT GOAL TO BE ACHIEVED BY THE CONTRACTOR. This contract includes a specific DBE utilization goal established by the Department. The goal has been included because the Department has determined that the work of this contract has subcontracting opportunities that may be suitable for performance by DBE companies. The determination is based on an assessment of the type of work, the location of the work, and the availability of DBE companies to do a part of the work. The assessment indicates that, in the absence of unlawful discrimination, and in an arena of fair and open competition, DBE companies can be expected to perform 7.0% of the work. This percentage is set as the DBE participation goal for this contract. Consequently, in addition to the other award criteria established for this contract, the Department will only award this contract to a bidder who makes a good faith effort to meet this goal of DBE participation in the performance of the work. A bidder makes a good faith effort for award consideration if either of the following is done in accordance with the procedures set for in this Special Provision:

- (a) The bidder documents that enough DBE participation has been obtained to meet the goal or,
- (b) The bidder documents that a good faith effort has been made to meet the goal, even though the effort did not succeed in obtaining enough DBE participation to meet the goal.

DBE LOCATOR REFERENCES. Bidders shall consult the IL UCP DBE Directory as a reference source for DBE-certified companies. In addition, the Department maintains a letting and item specific DBE locator information system whereby DBE companies can register their interest in providing quotes on particular bid items advertised for letting. Information concerning DBE companies willing to quote work for particular contracts may be obtained by contacting the Department's Bureau of Small Business Enterprises at telephone number (217) 785-4611, or by visiting the Department's website at:  
<http://www.idot.illinois.gov/doing-business/certifications/disadvantaged-business-enterprise-certification/il-ucp-directory/index>.

BIDDING PROCEDURES. Compliance with this Special Provision is required prior to the award of the contract and the failure of the low bidder to comply will render the bid not responsive.

In order to assure the timely award of the contract, the low bidder shall submit:

- (a) The bidder shall submit a DBE Utilization Plan on completed Department forms SBE 2025 and 2026.
  - (1) The final Utilization Plan must be submitted within five calendar days after the date of the letting in accordance with subsection (a)(2) of Bidding Procedures.
  - (2) To meet the five day requirement, the bidder may send the Utilization Plan electronically by scanning and sending to [DOT.DBE.UP@illinois.gov](mailto:DOT.DBE.UP@illinois.gov) or faxing to (217) 785-1524. The subject line must include the bid Item Number and the Letting date. The Utilization Plan should be sent as one .pdf file, rather than multiple files and emails for the same Item Number. It is the responsibility of the bidder to obtain confirmation of email or fax delivery.

Alternatively, the Utilization Plan may be sent by certified mail or delivery service within the five calendar day period. If a question arises concerning the mailing date of a Utilization Plan, the mailing date will be established by the U.S. Postal Service postmark on the certified mail receipt from the U.S. Postal Service or the receipt issued by a delivery service when the Utilization Plan is received by the Department. It is the responsibility of the bidder to ensure the postmark or receipt date is affixed within the five days if the bidder intends to rely upon mailing or delivery to satisfy the submission day requirement. The Utilization Plan is to be submitted to:

Illinois Department of Transportation  
Bureau of Small Business Enterprises  
Contract Compliance Section  
2300 South Dirksen Parkway, Room 319  
Springfield, Illinois 62764

The Department will not accept a Utilization Plan if it does not meet the five day submittal requirement and the bid will be declared not responsive. In the event the bid is declared not responsive due to a failure to submit a Utilization Plan or failure to comply with the bidding procedures set forth herein, the Department may elect to cause the forfeiture of the penal sum of the bidder's proposal guaranty, and may deny authorization to bid the project if re-advertised for bids. The Department reserves the right to invite any other bidder to submit a Utilization Plan at any time for award consideration.

- (b) The Utilization Plan shall indicate that the bidder either has obtained sufficient DBE participation commitments to meet the contract goal or has not obtained enough DBE participation commitments in spite of a good faith effort to meet the goal. The Utilization Plan shall further provide the name, telephone number, and telefax number of a responsible official of the bidder designated for purposes of notification of Utilization Plan approval or disapproval under the procedures of this Special Provision.

- (c) The Utilization Plan shall include a DBE Participation Commitment Statement, Department form SBE 2025, for each DBE proposed for the performance of work to achieve the contract goal. For bidding purposes, submission of the completed SBE 2025 forms, signed by the DBEs and scanned or faxed to the bidder will be acceptable as long as the original is available and provided upon request. All elements of information indicated on the said form shall be provided, including but not limited to the following:
- (1) The names and addresses of DBE firms that will participate in the contract;
  - (2) A description, including pay item numbers, of the work each DBE will perform;
  - (3) The dollar amount of the participation of each DBE firm participating. The dollar amount of participation for identified work shall specifically state the quantity, unit price, and total subcontract price for the work to be completed by the DBE. If partial pay items are to be performed by the DBE, indicate the portion of each item, a unit price where appropriate and the subcontract price amount;
  - (4) DBE Participation Commitment Statements, form SBE 2025, signed by the bidder and each participating DBE firm documenting the commitment to use the DBE subcontractors whose participation is submitted to meet the contract goal;
  - (5) If the bidder is a joint venture comprised of DBE companies and non-DBE companies, the Utilization Plan must also include a clear identification of the portion of the work to be performed by the DBE partner(s); and,
  - (6) If the contract goal is not met, evidence of good faith efforts; the documentation of good faith efforts must include copies of each DBE and non-DBE subcontractor quote submitted to the bidder when a non-DBE subcontractor is selected over a DBE for work on the contract.

GOOD FAITH EFFORT PROCEDURES. The contract will not be awarded until the Utilization Plan submitted by the apparent successful bidder is approved. All information submitted by the bidder must be complete, accurate and adequately document that enough DBE participation has been obtained or document that good faith efforts of the bidder, in the event enough DBE participation has not been obtained, before the Department will commit to the performance of the contract by the bidder. The Utilization Plan will be approved by the Department if the Utilization Plan documents sufficient commercially useful DBE work to meet the contract goal or the bidder submits sufficient documentation of a good faith effort to meet the contract goal pursuant to 49 CFR Part 26, Appendix A. The Utilization Plan will not be approved by the Department if the Utilization Plan does not document sufficient DBE participation to meet the contract goal unless the apparent successful bidder documented in the Utilization Plan that it made a good faith effort to meet the goal. This means that the bidder must show that all necessary and reasonable steps were taken to achieve the contract goal. Necessary and reasonable steps are those which, by their scope, intensity and appropriateness to the objective, could reasonably be expected to obtain sufficient DBE participation, even if they were not successful. The Department will consider the quality, quantity, and intensity of the kinds of efforts that the bidder has made. Mere *pro forma* efforts, in other words, efforts done as a matter of form, are not good faith efforts; rather, the bidder is expected to have taken genuine efforts that would be reasonably expected of a bidder actively and aggressively trying to obtain DBE participation sufficient to meet the contract goal.

- (a) The following is a list of types of action that the Department will consider as part of the evaluation of the bidder's good faith efforts to obtain participation. These listed factors are not intended to be a mandatory checklist and are not intended to be exhaustive. Other factors or efforts brought to the attention of the Department may be relevant in appropriate cases, and will be considered by the Department.
- (1) Soliciting through all reasonable and available means (e.g. attendance at pre-bid meetings, advertising and/or written notices) the interest of all certified DBE companies that have the capability to perform the work of the contract. The bidder must solicit this interest within sufficient time to allow the DBE companies to respond to the solicitation. The bidder must determine with certainty if the DBE companies are interested by taking appropriate steps to follow up initial solicitations.
  - (2) Selecting portions of the work to be performed by DBE companies in order to increase the likelihood that the DBE goals will be achieved. This includes, where appropriate, breaking out contract work items into economically feasible units to facilitate DBE participation, even when the prime Contractor might otherwise prefer to perform these work items with its own forces.
  - (3) Providing interested DBE companies with adequate information about the plans, specifications, and requirements of the contract in a timely manner to assist them in responding to a solicitation.
  - (4) a. Negotiating in good faith with interested DBE companies. It is the bidder's responsibility to make a portion of the work available to DBE subcontractors and suppliers and to select those portions of the work or material needs consistent with the available DBE subcontractors and suppliers, so as to facilitate DBE participation. Evidence of such negotiation includes the names, addresses, and telephone numbers of DBE companies that were considered; a description of the information provided regarding the plans and specifications for the work selected for subcontracting; and evidence as to why additional agreements could not be reached for DBE companies to perform the work.

- b. A bidder using good business judgment would consider a number of factors in negotiating with subcontractors, including DBE subcontractors, and would take a firm's price and capabilities as well as contract goals into consideration. However, the fact that there may be some additional costs involved in finding and using DBE companies is not in itself sufficient reason for a bidder's failure to meet the contract DBE goal, as long as such costs are reasonable. Also the ability or desire of a bidder to perform the work of a contract with its own organization does not relieve the bidder of the responsibility to make good faith efforts. Bidders are not, however, required to accept higher quotes from DBE companies if the price difference is excessive or unreasonable. In accordance with subsection (c)(6) of the above Bidding Procedures, the documentation of good faith efforts must include copies of each DBE and non-DBE subcontractor quote submitted to the bidder when a non-DBE subcontractor was selected over a DBE for work on the contract.
- (5) Not rejecting DBE companies as being unqualified without sound reasons based on a thorough investigation of their capabilities. The bidder's standing within its industry, membership in specific groups, organizations, or associations and political or social affiliations (for example union vs. non-union employee status) are not legitimate causes for the rejection or non-solicitation of bids in the bidder's efforts to meet the project goal.
  - (6) Making efforts to assist interested DBE companies in obtaining bonding, lines of credit, or insurance as required by the recipient or Contractor.
  - (7) Making efforts to assist interested DBE companies in obtaining necessary equipment, supplies, materials, or related assistance or services.
  - (8) Effectively using the services of available minority/women community organizations; minority/women contractors' groups; local, state, and federal minority/women business assistance offices; and other organizations as allowed on a case-by-case basis to provide assistance in the recruitment and placement of DBE companies.
- (b) If the Department determines that the apparent successful bidder has made a good faith effort to secure the work commitment of DBE companies to meet the contract goal, the Department will award the contract provided that it is otherwise eligible for award. If the Department determines that the bidder has failed to meet the requirements of this Special Provision or that a good faith effort has not been made, the Department will notify the responsible company official designated in the Utilization Plan that the bid is not responsive. The notification shall include a statement of reasons for the determination. If the Utilization Plan is not approved because it is deficient as a technical matter, unless waived by the Department, the bidder will be notified and will be allowed no more than a five calendar day period in order to cure the deficiency.
  - (c) The bidder may request administrative reconsideration of a determination adverse to the bidder within the five working days after the receipt of the notification date of the determination by delivering the request to the Department of Transportation, Bureau of Small Business Enterprises, Contract Compliance Section, 2300 South Dirksen Parkway, Room 319, Springfield, Illinois 62764 (Telefax: (217) 785-1524). Deposit of the request in the United States mail on or before the fifth business day shall not be deemed delivery. The determination shall become final if a request is not made and delivered. A request may provide additional written documentation or argument concerning the issues raised in the determination statement of reasons, provided the documentation and arguments address efforts made prior to submitting the bid. The request will be forwarded to the Department's Reconsideration Officer. The Reconsideration Officer will extend an opportunity to the bidder to meet in person in order to consider all issues of documentation and whether the bidder made a good faith effort to meet the goal. After the review by the Reconsideration Officer, the bidder will be sent a written decision within ten working days after receipt of the request for consideration, explaining the basis for finding that the bidder did or did not meet the goal or make adequate good faith efforts to do so. A final decision by the Reconsideration Officer that a good faith effort was made shall approve the Utilization Plan submitted by the bidder and shall clear the contract for award. A final decision that a good faith effort was not made shall render the bid not responsive.

**CALCULATING DBE PARTICIPATION.** The Utilization Plan values represent work anticipated to be performed and paid for upon satisfactory completion. The Department is only able to count toward the achievement of the overall goal and the contract goal the value of payments made for the work actually performed by DBE companies. In addition, a DBE must perform a commercially useful function on the contract to be counted. A commercially useful function is generally performed when the DBE is responsible for the work and is carrying out its responsibilities by actually performing, managing, and supervising the work involved. The Department and Contractor are governed by the provisions of 49 CFR Part 26.55(c) on questions of commercially useful functions as it affects the work. Specific counting guidelines are provided in 49 CFR Part 26.55, the provisions of which govern over the summary contained herein.

- (a) DBE as the Contractor: 100 percent goal credit for that portion of the work performed by the DBE's own forces, including the cost of materials and supplies. Work that a DBE subcontracts to a non-DBE does not count toward the DBE goals.
- (b) DBE as a joint venture Contractor: 100 percent goal credit for that portion of the total dollar value of the contract equal to the distinct, clearly defined portion of the work performed by the DBE's own forces.
- (c) DBE as a subcontractor: 100 percent goal credit for the work of the subcontract performed by the DBE's own forces, including the cost of materials and supplies, excluding the purchase of materials and supplies or the lease of equipment by the DBE subcontractor from the prime Contractor or its affiliates. Work that a DBE subcontractor in turn subcontracts to a non-DBE does not count toward the DBE goal.

- (d) DBE as a trucker: 100 percent goal credit for trucking participation provided the DBE is responsible for the management and supervision of the entire trucking operation for which it is responsible. At least one truck owned, operated, licensed, and insured by the DBE must be used on the contract. Credit will be given for the following:
  - (1) The DBE may lease trucks from another DBE firm, including an owner-operator who is certified as a DBE. The DBE who leases trucks from another DBE receives credit for the total value of the transportation services the lessee DBE provides on the contract.
  - (2) The DBE may also lease trucks from a non-DBE firm, including from an owner-operator. The DBE who leases trucks from a non-DBE is entitled to credit only for the fee or commission it receives as a result of the lease arrangement.
- (e) DBE as a material supplier:
  - (1) 60 percent goal credit for the cost of the materials or supplies purchased from a DBE regular dealer.
  - (2) 100 percent goal credit for the cost of materials or supplies obtained from a DBE manufacturer.
  - (3) 100 percent credit for the value of reasonable fees and commissions for the procurement of materials and supplies if not a DBE regular dealer or DBE manufacturer.

**CONTRACT COMPLIANCE.** Compliance with this Special Provision is an essential part of the contract. The Department is prohibited by federal regulations from crediting the participation of a DBE included in the Utilization Plan toward either the contract goal or the Department's overall goal until the amount to be applied toward the goals has been paid to the DBE. The following administrative procedures and remedies govern the compliance by the Contractor with the contractual obligations established by the Utilization Plan. After approval of the Utilization Plan and award of the contract, the Utilization Plan and individual DBE Participation Statements become part of the contract. If the Contractor did not succeed in obtaining enough DBE participation to achieve the advertised contract goal, and the Utilization Plan was approved and contract awarded based upon a determination of good faith, the total dollar value of DBE work calculated in the approved Utilization Plan as a percentage of the awarded contract value shall become the amended contract goal. All work indicated for performance by an approved DBE shall be performed, managed, and supervised by the DBE executing the DBE Participation Commitment Statement.

- (a) **NO AMENDMENT.** No amendment to the Utilization Plan may be made without prior written approval from the Department's Bureau of Small Business Enterprises. All requests for amendment to the Utilization Plan shall be submitted to the Department of Transportation, Bureau of Small Business Enterprises, Contract Compliance Section, 2300 South Dirksen Parkway, Room 319, Springfield, Illinois 62764. Telephone number (217) 785-4611. Telefax number (217) 785-1524.
- (b) **CHANGES TO WORK.** Any deviation from the DBE condition-of-award or contract plans, specifications, or special provisions must be approved, in writing, by the Department as provided elsewhere in the Contract. The Contractor shall notify affected DBEs in writing of any changes in the scope of work which result in a reduction in the dollar amount condition-of-award to the contract. Where the revision includes work committed to a new DBE subcontractor, not previously involved in the project, then a Request for Approval of Subcontractor, Department form BC 260A or AER 260A, must be signed and submitted. If the commitment of work is in the form of additional tasks assigned to an existing subcontract, then a new Request for Approval of Subcontractor shall not be required. However, the Contractor must document efforts to assure that the existing DBE subcontractor is capable of performing the additional work and has agreed in writing to the change.
- (c) **SUBCONTRACT.** The Contractor must provide DBE subcontracts to IDOT upon request. Subcontractors shall ensure that all lower tier subcontracts or agreements with DBEs to supply labor or materials be performed in accordance with this Special Provision.
- (d) **ALTERNATIVE WORK METHODS.** In addition to the above requirements for reductions in the condition of award, additional requirements apply to the two cases of Contractor-initiated work substitution proposals. Where the contract allows alternate work methods which serve to delete or create underruns in condition of award DBE work, and the Contractor selects that alternate method or, where the Contractor proposes a substitute work method or material that serves to diminish or delete work committed to a DBE and replace it with other work, then the Contractor must demonstrate one of the following:
  - (1) That the replacement work will be performed by the same DBE (as long as the DBE is certified in the respective item of work) in a modification of the condition of award; or
  - (2) That the DBE is aware that its work will be deleted or will experience underruns and has agreed in writing to the change. If this occurs, the Contractor shall substitute other work of equivalent value to a certified DBE or provide documentation of good faith efforts to do so; or
  - (3) That the DBE is not capable of performing the replacement work or has declined to perform the work at a reasonable competitive price. If this occurs, the Contractor shall substitute other work of equivalent value to a certified DBE or provide documentation of good faith efforts to do so.
- (e) **TERMINATION AND REPLACEMENT PROCEDURES.** The Contractor shall not terminate or replace a DBE listed on the approved Utilization Plan, or perform with other forces work designated for a listed DBE except as provided in this Special

Provision. The Contractor shall utilize the specific DBEs listed to perform the work and supply the materials for which each is listed unless the Contractor obtains the Department's written consent as provided in subsection (a) of this part. Unless Department consent is provided for termination of a DBE subcontractor, the Contractor shall not be entitled to any payment for work or material unless it is performed or supplied by the DBE in the Utilization Plan.

As stated above, the Contractor shall not terminate or replace a DBE subcontractor listed in the approved Utilization Plan without prior written consent. This includes, but is not limited to, instances in which the Contractor seeks to perform work originally designated for a DBE subcontractor with its own forces or those of an affiliate, a non-DBE firm, or with another DBE firm. Written consent will be granted only if the Bureau of Small Business Enterprises agrees, for reasons stated in its concurrence document, that the Contractor has good cause to terminate or replace the DBE firm. Before transmitting to the Bureau of Small Business Enterprises any request to terminate and/or substitute a DBE subcontractor, the Contractor shall give notice in writing to the DBE subcontractor, with a copy to the Bureau, of its intent to request to terminate and/or substitute, and the reason for the request. The Contractor shall give the DBE five days to respond to the Contractor's notice. The DBE so notified shall advise the Bureau and the Contractor of the reasons, if any, why it objects to the proposed termination of its subcontract and why the Bureau should not approve the Contractor's action. If required in a particular case as a matter of public necessity, the Bureau may provide a response period shorter than five days.

For purposes of this paragraph, good cause includes the following circumstances:

- (1) The listed DBE subcontractor fails or refuses to execute a written contract;
- (2) The listed DBE subcontractor fails or refuses to perform the work of its subcontract in a way consistent with normal industry standards. Provided, however, that good cause does not exist if the failure or refusal of the DBE subcontractor to perform its work on the subcontract results from the bad faith or discriminatory action of the prime contractor;
- (3) The listed DBE subcontractor fails or refuses to meet the prime Contractor's reasonable, nondiscriminatory bond requirements;
- (4) The listed DBE subcontractor becomes bankrupt, insolvent, or exhibits credit unworthiness;
- (5) The listed DBE subcontractor is ineligible to work on public works projects because of suspension and debarment proceedings pursuant 2 CFR Parts 180, 215 and 1200 or applicable state law.
- (6) You have determined that the listed DBE subcontractor is not a responsible contractor;
- (7) The listed DBE subcontractor voluntarily withdraws from the projects and provides to you written notice of its withdrawal;
- (8) The listed DBE is ineligible to receive DBE credit for the type of work required;
- (9) A DBE owner dies or becomes disabled with the result that the listed DBE subcontractor is unable to complete its work on the contract;
- (10) Other documented good cause that compels the termination of the DBE subcontractor. Provided, that good cause does not exist if the prime Contractor seeks to terminate a DBE it relied upon to obtain the contract so that the prime Contractor can self-perform the work for which the DBE contractor was engaged or so that the prime Contractor can substitute another DBE or non-DBE contractor after contract award.

When a DBE is terminated, or fails to complete its work on the Contract for any reason the Contractor shall make a good faith effort to find another DBE to substitute for the original DBE to perform at least the same amount of work under the contract as the terminated DBE to the extent needed to meet the established Contract goal. The good faith efforts shall be documented by the Contractor. If the Department requests documentation under this provision, the Contractor shall submit the documentation within seven days, which may be extended for an additional seven days if necessary at the request of the Contractor. The Department shall provide a written determination to the Contractor stating whether or not good faith efforts have been demonstrated.

- (f) **PAYMENT RECORDS.** The Contractor shall maintain a record of payments for work performed to the DBE participants. The records shall be made available to the Department for inspection upon request. After the performance of the final item of work or delivery of material by a DBE and final payment therefore to the DBE by the Contractor, but not later than thirty calendar days after payment has been made by the Department to the Contractor for such work or material, the Contractor shall submit a DBE Payment Agreement on Department form SBE 2115 to the Resident Engineer. If full and final payment has not been made to the DBE, the DBE Payment Agreement shall indicate whether a disagreement as to the payment required exists between the Contractor and the DBE or if the Contractor believes that the work has not been satisfactorily completed. If the Contractor does not have the full amount of work indicated in the Utilization Plan performed by the DBE companies indicated in the Utilization Plan and after good faith efforts are reviewed, the Department may deduct from contract payments to the Contractor the amount of the goal not achieved as liquidated and ascertained damages. The Contractor may request an administrative reconsideration of any amount deducted as damages pursuant to subsection (h) of this part.

- (g) **ENFORCEMENT.** The Department reserves the right to withhold payment to the Contractor to enforce the provisions of this Special Provision. Final payment shall not be made on the contract until such time as the Contractor submits sufficient documentation demonstrating achievement of the goal in accordance with this Special Provision or after liquidated damages have been determined and collected.
- (h) **RECONSIDERATION.** Notwithstanding any other provision of the contract, including but not limited to Article 109.09 of the Standard Specifications, the Contractor may request administrative reconsideration of a decision to deduct the amount of the goal not achieved as liquidated damages. A request to reconsider shall be delivered to the Contract Compliance Section and shall be handled and considered in the same manner as set forth in paragraph (c) of "Good Faith Effort Procedures" of this Special Provision, except a final decision that a good faith effort was not made during contract performance to achieve the goal agreed to in the Utilization Plan shall be the final administrative decision of the Department. The result of the reconsideration process is not administratively appealable to the U.S. Department of Transportation.

#### **SPECIAL PROVISION FOR WEEKLY DBE TRUCKING REPORTS (BDE)**

**Effective: June 2, 2012**

**Revised: April 2, 2015**

The Contractor shall submit a weekly report of Disadvantaged Business Enterprise (DBE) trucks hired by the Contractor or subcontractors (i.e. not owned by the Contractor or subcontractors) that are used for DBE goal credit.

The report shall be submitted to the Resident Engineer on Division of Aeronautics Form "AER 723" within ten business days following the reporting period. The reporting period shall be Monday through Sunday for each week reportable trucking activities occur.

Any costs associated with providing weekly DBE trucking reports shall be considered as included in the contract unit prices bid for the various items of work involved and no additional compensation will be allowed.

#### **SPECIAL PROVISION FOR SUBCONTRACTOR MOBILIZATION PAYMENTS**

**Revised: April 1, 2011**

To account for the preparatory work and the operations necessary for the movement of subcontractor personnel, equipment, supplies, and incidentals to the project site and for all other work or operations that must be performed or costs incurred when beginning work approved for subcontracting according to Section 80-01 of the Standard Specifications, the Contractor shall make a mobilization payment to each subcontractor.

This mobilization payment shall be made at least 14 days prior to the subcontractor starting work. The amount paid shall be equal to 3 percent of the amount of the subcontract reported on form AER 260A submitted for the approval of the subcontractor's work.

The mobilization payment to the subcontractor is an advance payment of the reported amount of the subcontract and is not a payment in addition to the amount of the subcontract; therefore, the amount of the advance payment will be deducted from future progress payments.

This provision shall be incorporated directly or by reference into each subcontract approved by the Department

#### **SPECIAL PROVISION FOR PAYMENTS TO SUBCONTRACTORS**

**Revised: January 1, 2006**

Federal regulations found at 49 CFR §26.29 mandate the Department to establish a contract clause to require Contractors to pay subcontractors for satisfactory performance of their subcontracts and to set the time for such payments.

State law also addresses the timing of payments to be made to subcontractors and material suppliers. Section 7 of the Prompt Payment Act, 30 ILCS 540/7, requires that when a Contractor receives any payment from the Department, the Contractor shall make corresponding, proportional payments to each subcontractor and material supplier performing work or supplying material within 15 calendar days after receipt of the Department payment. Section 7 of the Act further provides that interest in the amount of two percent per month, in addition to the payment due, shall be paid to any subcontractor or material supplier by the Contractor if the payment required by the Act is withheld or delayed without reasonable cause. The Act also provides that the time for payment required and the calculation of any interest due applies to transactions between subcontractors and lower-tier subcontractors and material suppliers throughout the contracting chain.

This Special Provision establishes the required federal contract clause, and adopts the 15 calendar day requirement of the State Prompt Payment Act for purposes of compliance with the federal regulation regarding payments to subcontractors. This contract is subject to the following payment obligations.

When progress payments are made to the Contractor according to Article 90-07 of the Standard Specifications, the Contractor shall make a corresponding payment to each subcontractor and material supplier in proportion to the work satisfactorily completed by each subcontractor and for the material supplied to perform any work of the contract. The proportionate amount of partial payment due to each subcontractor and material supplier throughout the contracting chain shall be determined by the quantities measured or otherwise determined as eligible for payment by the Department and included in the progress payment to the Contractor. Subcontractors and material suppliers shall be paid by the Contractor within 15 calendar days after the receipt of payment from the Department. The

Contractor shall not hold retainage from the subcontractors. These obligations shall also apply to any payments made by subcontractors and material suppliers to their subcontractors and material suppliers; and to all payments made to lower tier subcontractors and material suppliers throughout the contracting chain. Any payment or portion of a payment subject to this provision may only be withheld from the subcontractor or material supplier to whom it is due for reasonable cause.

This Special Provision does not create any rights in favor of any subcontractor or material supplier against the State or authorize any cause of action against the State on account of any payment, nonpayment, delayed payment, or interest claimed by application of the State Prompt Payment Act. The Department will not approve any delay or postponement of the 15 day requirement except for reasonable cause shown after notice and hearing pursuant to Section 7(b) of the State Prompt Payment Act. State law creates other and additional remedies available to any subcontractor or material supplier, regardless of tier, who has not been paid for work properly performed or material furnished. These remedies are a lien against public funds set forth in Section 23(c) of the Mechanics Lien Act, 770 ILCS 60/23(c), and a recovery on the Contractor's payment bond according to the Public Construction Bond Act, 30 ILCS 550.

#### **SPECIAL PROVISION FOR ADDITIONAL STATE REQUIREMENTS FOR FEDERAL-AID CONSTRUCTION CONTRACTS**

**Effective: February 1, 1969**

**Revised: April 1, 2015**

#### **EQUAL EMPLOYMENT OPPORTUNITY**

In the event of the Contractor's noncompliance with the provisions of this Equal Employment Opportunity Clause, the Illinois Human Rights Act, or the Illinois Department of Human Rights Rules and Regulations, the Contractor may be declared ineligible for future contracts or subcontracts with the State of Illinois or any of its political sub-divisions or municipal corporations, and the contract may be cancelled or voided in whole or in part, and such other sanctions or penalties may be imposed or remedies invoked as provided by statute or regulation.

During the performance of this Contract, the Contractor agrees as follows:

(1) That it will not discriminate against any employee or applicant for employment because of race, color, religion, sex, sexual orientation, marital status, order of protection status, national origin or ancestry, citizenship status, age, physical or mental disability unrelated to ability, military status, or an unfavorable discharge from military service; and further that it will examine all job classifications to determine if minority persons or women are underutilized and will take appropriate affirmative action to rectify any such underutilization.

(2) That, if it hires additional employees in order to perform this contract or any portion hereof, it will determine the availability (according to the Illinois Department of Human Rights Rules and Regulations) of minorities and women in the area(s) from which it may reasonably recruit and it will hire for each job classification for which employees are hired in such a way that minorities and women are not underutilized.

(3) That, in all solicitations or advertisements for employees placed by it or on its behalf, it will state that all applicants will be afforded equal opportunity without discrimination because of race, color, religion, sex, sexual orientation, marital status, order of protection status, national origin or ancestry, citizenship status, age, physical or mental disability unrelated to ability, military status or an unfavorable discharge from military service.

(4) That it will send to each labor organization or representative of workers with which it has or is bound by a collective bargaining or other agreement or understanding, a notice advising such labor organization or representative of the Contractor's obligations under the Illinois Human Rights Act and the Illinois Department of Human Rights Rules and Regulations. If any labor organization or representative fails or refuses to cooperate with the Contractor in its efforts to comply with such Act and Rules and Regulations, the Contractor will promptly so notify the Illinois Department of Human Rights and IDOT and will recruit employees from other sources when necessary to fulfill its obligations thereunder.

(5) That it will submit reports as required by the Illinois Department of Human Rights Rules and Regulations, furnish all relevant information as may from time to time be requested by the Illinois Department of Human Rights or IDOT, and in all respects comply with the Illinois Human Rights Act and the Illinois Department of Human Rights Rules and Regulations.

(6) That it will permit access to all relevant books, records, accounts, and work sites by personnel of IDOT and the Illinois Department of Human Rights for purposes of investigation to ascertain compliance with the Illinois Human Rights Act and the Illinois Department of Human Rights Rules and Regulations.

(7) That it will include verbatim or by reference the provisions of this clause in every subcontract it awards under which any portion of the contract obligations are undertaken or assumed, so that the provisions will be binding upon the subcontractor. In the same manner as with other provisions of this contract, the Contractor will be liable for compliance with applicable provisions of this clause by subcontractors; and further it will promptly notify IDOT and the Illinois Department of Human Rights in the event any subcontractor fails or refuses to comply with these provisions. In addition, the Contractor will not utilize any subcontractor declared by the Illinois Human Rights Commission to be ineligible for contracts or subcontracts with the State of Illinois or any of its political subdivisions or municipal corporations.

## **SPECIAL PROVISION FOR NPDES CERTIFICATION**

In accordance with the provisions of the Illinois Environmental Protection Act, the Illinois Pollution Control Board Rules and Regulations (35 Ill. Adm. Code, Subtitle C, Chapter I), and the Clean Water Act, and the regulations thereunder, this certification is required for all construction contracts that will result in the disturbance of one or more acres total land area.

The bidder certifies under penalty of law that he/she understands the terms and conditions of the general National Pollutant Discharge Elimination System (NPDES) permit (ILR100000) that authorizes the storm water discharges associated with industrial activity from the construction site identified as part of this certification.

The Airport Owner or its Agent will:

- 1) prepare, sign and submit the Notice of Intent (NOI)
- 2) conduct site inspections and complete and file the inspection reports
- 3) submit Incidence of Non-Compliance (ION) forms
- 4) submit Notice of Termination (NOT) form

Prior to the issuance of the Notice-to-Proceed, for each erosion control measure identified in the Storm Water Pollution Prevention Plan, the contractor or subcontractor responsible for the control measure(s) must sign the above certification (forms to be provided by the Department).

## **SPECIAL PROVISION FOR COMPLETION TIME VIA CALENDAR DAYS**

It being understood and agreed that the completion within the time limit is an essential part of the contract, the bidder agrees to complete the work within 44 calendar days, unless additional time is granted by the Engineer in accordance with the provisions of the specifications. In case of failure to complete the work on or before the time named herein, or within such extra time as may have been allowed by extensions, the bidder agrees that the Department of Transportation shall withhold from such sum as may be due him/her under the terms of this contract, the costs, as set forth in Section 80-09 Failure to Complete on Time of the Standard Specifications, which costs shall be considered and treated not as a penalty but as damages due to the State from the bidder by reason of the failure of the bidder to complete the work within the time specified in the contract.



State of Illinois  
Department of Transportation

SPECIAL PROVISION  
FOR  
SECTION 80 PROSECUTION AND PROGRESS

This Special Provision amends the provisions of the Standard Specifications for Construction of Airports, adopted April 1, 2012 and shall be construed to be a part thereof, superseding any conflicting provisions thereof applicable to the work under the contract.

80-09 FAILURE TO COMPLETE ON TIME.

DELETE: "See contract documents for current schedule of deductions."

ADD:

Schedule of Deductions for Each Day of Overrun in Contract Time			
Original Contract Amount		Daily Charges	
From More Than	To and Including	Calendar Day	Work Day
\$ 0	\$ 100,000	\$ 475	\$ 675
100,000	500,000	750	1,050
500,000	1,000,000	1,025	1,425
1,000,000	3,000,000	1,275	1,725
3,000,000	6,000,000	1,425	2,000
6,000,000	12,000,000	2,300	3,450
12,000,000	And over	6,775	9,525

State of Illinois  
Department of Transportation

SPECIAL PROVISION  
FOR  
SECTION 90 MEASUREMENT AND PAYMENT

This Special Provision amends the provisions of the Standard Specifications for Construction of Airports, adopted April 1, 2012 and shall be construed to be a part thereof, superseding any conflicting provisions thereof applicable to the work under the contract.

90-07 PARTIAL PAYMENTS.

DELETE: The entire section.

ADD: Partial payments will be made to the Contractor at least once each month as the work progresses. The payments will be based upon estimates, prepared by the Resident Engineer, of the value of the work performed and materials complete and in place in accordance with the contract, plans, and specifications. Such partial payments may also include the delivered actual cost of those materials stockpiled and stored in accordance with the Section 90-08 PAYMENT FOR MATERIALS ON HAND. From the amount of partial payment so determined on Federal-Aid projects, there shall be deducted an amount up to ten percent of the cost of the completed work which shall be retained until all conditions necessary for financial closeout of the project are satisfied. The amount of the estimate approved as due for payment will be vouchered by the Department and presented to the State Comptroller for payment. No amount less than \$1,000.00 will be approved for payment other than the final payment. A final voucher for under \$5.00 shall not be paid except through electronic funds transfer. (15 ILCS 405/9(b-1))

It is understood and agreed that the Contractor shall not be entitled to demand or receive partial payment based on quantities of work in excess of those provided in the proposal or covered by approved change orders, except when such excess quantities have been determined by the Engineer to be a part of the final quantity for the item of work in question.

No partial payment shall bind the Department to the acceptance of any materials or work in place as to quality or quantity. All partial payments are subject to correction at the time of final payment as provided in Section 90-09 ACCEPTANCE AND FINAL PAYMENT.

Progress payments may be reduced by liens filed pursuant to Section 23(c) of the Mechanics Lien Act, 770 ILCS 60/23(c).

If a Contractor or subcontractor has defaulted on a loan issued under the Department's Disadvantaged Business Revolving Loan Program (20 ILCS 2705/2705-610) progress payments may be reduced pursuant to the terms of that loan agreement. In such cases, the amount of the estimate related to the work performed by the Contractor or subcontractor, in default of the loan agreement, will be offset, in whole or in part, and vouchered by the Department to the Working Capital Revolving Fund or designated escrow account. Payment for the work shall be considered as issued and received by the Contractor or subcontractor on the date of the offset voucher. Further, the amount of the offset voucher shall be a credit against the Department's obligation to pay the Contractor, the Contractor's obligation to pay the subcontractor, and the Contractor's or subcontractor's total loan indebtedness to the Department. The offset shall continue until such time as the entire loan indebtedness is satisfied. The Department will notify the Contractor and Fund Control Agent in a timely manner of such offset. The Contractor or subcontractor shall not be entitled to additional payment in consideration of the offset.

In accordance with 49 USC § 47111, the Department will not make payments totaling more than 90 percent of the contract until all conditions necessary for financial closeout of the project are satisfied.

The failure to perform any requirement, obligation, or term of the contract by the Contractor shall be reason for withholding any progress payments until the Department determines that compliance has been achieved.

90-10 TRUST AGREEMENT OPTION.

DELETE: The entire section.



# Required Contract Provisions for Airport Improvement Program and for Obligated Sponsors

<a href="#">Requirements</a> .....	54
1. <a href="#">Required Contract Provisions</a> .....	54
2. <a href="#">Sponsor Requirements</a> .....	54
3. <a href="#">Incorporation of Provisions</a> .....	54
4. <a href="#">Requests for Bids (Advertisement) and Notice to Bidders</a> .....	54
5. <a href="#">Requirements For All Contracts Entered into by Obligated Sponsors</a> .....	54
6. <a href="#">Failure to Comply with Provisions</a> .....	54
7. <a href="#">Applicability Matrix for Contract Provisions</a> .....	55
<a href="#">APPENDIX A – CONTRACT PROVISIONS</a> .....	56
A1 <a href="#">ACCESS TO RECORDS AND REPORTS</a> .....	56
A2 <a href="#">AFFIRMATIVE ACTION REQUIREMENTS</a> .....	56
A3 <a href="#">BREACH OF CONTRACT TERMS</a> .....	59
A4 <a href="#">BUY AMERICAN PREFERENCE</a> .....	59
A5 <a href="#">CIVIL RIGHTS - GENERAL</a> .....	60
A6 <a href="#">CIVIL RIGHTS – TITLE VI ASSURANCE</a> .....	61
A7 <a href="#">CLEAN AIR AND WATER POLLUTION CONTROL</a> .....	64
A8 <a href="#">CONTRACT WORKHOURS AND SAFETY STANDARDS ACT REQUIREMENTS</a> .....	64
A9 <a href="#">COPELAND “ANTI-KICKBACK” ACT</a> .....	65
A10 <a href="#">DAVIS-BACON REQUIREMENTS</a> .....	66
A11 <a href="#">DEBARMENT AND SUSPENSION</a> .....	69
A12 <a href="#">DISADVANTAGED BUSINESS ENTERPRISE</a> .....	70
A13 <a href="#">Distracted Driving</a> .....	71
A14 <a href="#">ENERGY CONSERVATION REQUIREMENTS</a> .....	72
A15 <a href="#">EQUAL EMPLOYMENT OPPORTUNITY (E.E.O.)</a> .....	72
A16 <a href="#">FEDERAL FAIR LABOR STANDARDS ACT (FEDERAL MINIMUM WAGE)</a> .....	75
A17 <a href="#">LOBBYING AND INFLUENCING FEDERAL EMPLOYEES</a> .....	76
A18 <a href="#">PROHIBITION of SEGREGATED FACILITIES</a> .....	76
A19 <a href="#">OCCUPATIONAL SAFETY AND HEALTH ACT OF 1970</a> .....	77
A20 <a href="#">PROCUREMENT OF RECOVERED MATERIALS</a> .....	77
A21 <a href="#">RIGHT TO INVENTIONS</a> .....	78
A22 <a href="#">SEISMIC SAFETY</a> .....	78
A23 <a href="#">TERMINATION OF CONTRACT</a> .....	79
A24 <a href="#">TRADE RESTRICTION CERTIFICATION</a> .....	81
A25 <a href="#">VETERAN’S PREFERENCE</a> .....	82

# REQUIREMENTS

## 1. Required Contract Provisions

Federal laws and regulations require that recipients of federal assistance (Sponsors) include specific contract provisions in certain contracts, requests for proposals, or invitations to bid.

Certain provisions must be included in all sponsor contracts, regardless of *whether or not* the contracts are federally-funded. This requirement was established when a sponsor accepted the Airport Improvement Program (AIP) grant assurances.

To maintain eligibility of their procurement actions, a sponsor must incorporate applicable contract provisions in all federally-assisted procurement and contract documents, including all subcontracts. For purposes of determining requirements for contract provisions, the term **contract** includes subcontracts.

## 2. Sponsor Requirements

In general, the sponsor must:

- 1) Incorporate applicable contract provisions in each contract funded under AIP;
  - a. Except as noted herein, a sponsor must physically incorporate the text of the provision within the procurement documents.
  - b. Where specifically noted, sponsors may incorporate select provisions by reference provided the sponsor indicates that the reference has the same force and effect as if given in full text.
- 2) Require the contractor (including all subcontractors) to insert these contract provisions in each lower tier contracts ( e.g. subcontract or sub-agreement);
- 3) Require the contractor (or subcontractor) to incorporate the applicable requirements of these contract provisions by reference for work done under any purchase orders, rental agreements and other agreements for supplies or services;
- 4) Require that the prime contractor be responsible for compliance with these contract provisions by any subcontractor, lower-tier subcontractor or service provider;
- 5) Verify that any required local or State provision does not conflict with, or alter a Federal law or regulation.

## 3. Incorporation of Provisions

The statutes and regulations that establish the requirements for contract provisions do not always specify language the sponsor must use to address the requirement. Appendix A of this guide provides information on when a provision or clause has mandatory language that a sponsor must apply. Refer to the subheading *Applicability* for each provision.

Whenever a clause or provision has mandatory text, the sponsor must incorporate the text of the provision without change. The only exception to this restriction is for those instances within the provision text that require the sponsor to insert appropriate information such as name or value. To align with the sponsor's standard contract language, the word "Owner" may also be replaced with "Airport Authority" or their standard method of referring to the sponsor in contracts. Any modification beyond what is specifically permitted is not permitted and may invalidate the clause.

For those provisions that do not have required language, this guidance provides model language acceptable to the FAA in meeting the intent and purpose of the law or regulation. Some sponsors may already have standard procurement language that is equivalent to those Federal provisions that do not have explicit mandatory language. In these cases, sponsors may use their existing standard procurement provision language provided the text meets the intent and purpose of the Federal law or regulation.

Contract clause language must be made available to bidders. The Sponsor does this by including the required language in Requests for Bids, Notices to Bidders, or in the contract.

## 4. Requests for Bids (Advertisement) and Notice to Bidders

The sponsor may incorporate certain provisions *by reference* in the Request for Bids (the Advertisement) rather than including the entire text of the provision in the Request or Notice to Bidders. The sponsor must incorporate the full text of these provisions within any contract that originates from the procurement action. The provisions that can be incorporated by reference in the Request or Notice are:

- 1) Buy American Preference
- 2) Foreign Trade Restriction
- 3) Davis Bacon
- 4) Affirmative Action
- 5) Government-wide Debarment and Suspension
- 6) Government-wide Requirements for Drug-free Workplace

## 5. Requirements For All Contracts Entered into by Obligated Sponsors.

A sponsor's acceptance of previous grant assurances obligates them to include certain notifications in all contracts and procurement actions they undertake regardless of funding source. Contracts and agreements fully funded by the sponsor must incorporate those select provisions.

## 6. Failure to Comply with Provisions

Sponsor failure to incorporate required provisions will jeopardize AIP eligibility of the sponsor's project. Contractor failure to comply with the terms of these contract provisions may be sufficient grounds to:

- 1) Withhold progress payments or final payment;

- 2) Terminate the contract for cause;
- 3) Seek suspension/debarment; or
- 4) Take other action determined to be appropriate by the sponsor or the FAA.

## 7. Applicability Matrix for Contract Provisions

Table 1 summarizes the applicability of contract provisions based upon the type of contract or agreement. The dollar threshold represents the value at which, when equal to or exceeded, the sponsor must incorporate the provision in their contract or agreement. Supplemental information addressing applicability and use for each provision is located in Appendix A.

### Meaning of cell values

- REQD - a provision the sponsor must incorporate in their procurement action.
- Limited –a provision with limited applicability depending on circumstances of the procurement.
- n/a – a provision that is not applicable for that procurement type.

**Table 1 – Applicability of Provisions**

Provision	Dollar Threshold	Professional Services	Construction	Equipment	Property (Land)	Non-AIP Contracts
a. <a href="#">Access to Records and Reports</a>	\$ 0	REQD	REQD	REQD	REQD	n/a
b. <a href="#">Buy American Preferences</a>	\$ 0	Limited	REQD	REQD	Limited	n/a
c. <a href="#">Civil Rights – General</a>	\$ 0	REQD	REQD	REQD	REQD	REQD
d. <a href="#">Civil Rights - Title VI Assurances</a>	\$ 0	REQD	REQD	REQD	REQD	REQD
(1) <a href="#">Notice - Solicitation</a>	\$ 0	REQD	REQD	REQD	REQD	REQD
(2) <a href="#">Clause - Contracts</a>	\$ 0	REQD	REQD	REQD	REQD	REQD
(3) <a href="#">Clause – Transfer of U.S. Property</a>	\$ 0	n/a	n/a	n/a	REQD	REQD
(4) <a href="#">Clause – Transfer of Real Property</a>	\$ 0	n/a	n/a	n/a	REQD	REQD
(5) <a href="#">Clause - Construct/Use/Access to Real Property</a>	\$ 0	n/a	n/a	n/a	REQD	REQD
(6) <a href="#">List – Pertinent Authorities</a>	\$ 0	REQD	REQD	REQD	REQD	REQD
e. <a href="#">Disadvantaged Business Enterprise</a>	\$ 0	REQD	REQD	REQD	REQD	n/a
f. <a href="#">Energy Conservation Requirements</a>	\$ 0	REQD	REQD	REQD	REQD	n/a
g. <a href="#">Federal Fair Labor Standards Act</a>	\$ 0	REQD	REQD	REQD	REQD	REQD
h. <a href="#">Occupational Safety and Health Act</a>	\$ 0	REQD	REQD	REQD	REQD	REQD
i. <a href="#">Rights to Inventions</a>	\$ 0	Limited	Limited	Limited	n/a	n/a
j. <a href="#">Trade Restriction Certification</a>	\$ 0	REQD	REQD	REQD	REQD	n/a
k. <a href="#">Veteran’s Preference</a>	\$ 0	REQD	REQD	REQD	REQD	n/a
l. <a href="#">Seismic Safety</a>	\$ 0	Limited	Limited	n/a	n/a	n/a
m. <a href="#">Copeland Anti-Kickback</a>	\$ 2,000	Limited	REQD	Limited	Limited	n/a
n. <a href="#">Davis Bacon Requirements</a>	\$ 2,000	Limited	REQD	Limited	Limited	n/a
o. <a href="#">Distracted Driving</a>	\$3,000	REQD	REQD	REQD	REQD	n/a
p. <a href="#">Affirmative Action Requirement</a>	\$10,000	Limited	REQD	Limited	Limited	n/a
q. <a href="#">Equal Employment Opportunity</a>	\$10,000	Limited	REQD	Limited	Limited	n/a
(1) <a href="#">EEO Contract Clause</a>	\$10,000	Limited	REQD	Limited	Limited	n/a
(2) <a href="#">EEO Specification</a>	\$10,000	Limited	REQD	Limited	Limited	n/a
r. <a href="#">Prohibition of Segregated Facilities</a>	\$10,000	Limited	REQD	Limited	Limited	n/a
s. <a href="#">Recovered Materials</a>	\$10,000	Limited	REQD	REQD	Limited	n/a
t. <a href="#">Termination of Contract</a>	\$10,000	REQD	REQD	REQD	REQD	n/a
u. <a href="#">Debarment and Suspension</a>	\$25,000	REQD	REQD	REQD	Limited	n/a
v. <a href="#">Contract Work Hours and Safety Standards</a>	\$100,000	Limited	REQD	Limited	Limited	n/a
w. <a href="#">Lobbying Federal Employees</a>	\$ 100,000	REQD	REQD	REQD	REQD	n/a
x. <a href="#">Breach of Contract</a>	\$150,000	REQD	REQD	REQD	REQD	n/a
y. <a href="#">Clean Air/Water Pollution Control</a>	\$150,000	REQD	REQD	REQD	REQD	n/a

# APPENDIX A – CONTRACT PROVISIONS

## A1 ACCESS TO RECORDS AND REPORTS

### A1.1 SOURCE

2 CFR § 200.333

2 CFR § 200.336

FAA Order 5100.38

### A1.2 APPLICABILITY

2 CFR § 200.333 requires a sponsor to retain records pertinent to a Federal award for a period of three years from submission of final closure documents. 2 CFR § 200.336 establishes that sponsors must provide Federal entities the right to access records pertinent to the Federal award. FAA policy extends these requirements to the sponsor's contracts and subcontracts of AIP funded projects.

**Contract Types** – The sponsor must include this provision in all contracts and subcontracts of AIP funded projects.

**Use of Provision** – The regulation does not prescribe mandatory language, the following language is acceptable to the FAA and meets the intent of this requirement. If the sponsor uses different language, the sponsor's language must fully satisfy the requirements of part 200.

### A1.3 CONTRACT CLAUSE

#### ACCESS TO RECORDS AND REPORTS

The Contractor must maintain an acceptable cost accounting system. The Contractor agrees to provide the sponsor, the Federal Aviation Administration, and the Comptroller General of the United States or any of their duly authorized representatives, access to any books, documents, papers, and records of the contractor which are directly pertinent to the specific contract for the purpose of making audit, examination, excerpts and transcriptions. The Contractor agrees to maintain all books, records and reports required under this contract for a period of not less than three years after final payment is made and all pending matters are closed.

## A2 AFFIRMATIVE ACTION REQUIREMENTS

### A2.1 SOURCE

41 CFR part 60-4

Executive Order 11246

### A2.2 APPLICABILITY

**Minority Participation.** Sponsors are required to set goals for minority participation in AIP funded projects. The goals for minority participation depend on Economic Area (EA) and Standard Metropolitan Statistical Area (SMSA) as established in Volume 45 of the Federal Register dated 10/3/80. Page 65984 contains a table of all EAs and SMSAs and the associated minority participation goals.

To find the goals for minority participation, a sponsor must either refer to the Federal Register Notice or to the Department of Labor document, "Technical Assistance Guide for Federal Construction Contractors". EA's and SMSA's cross state boundaries so a sponsor may have to refer to entries for adjacent states to find their project location.

A sponsor must insert the applicable percentage minority goal. Sponsor must not simply insert a reference to the Federal Register Notice.

**Female Participation.** Executive Order 11246 has set a goal of 6.9% nationally for female participation for all construction contractors. This value does not change per county or state.

**Contract Types** –

*Construction:* The sponsor must incorporate this notice in all solicitations for bids or requests for proposals for AIP funded construction work contracts and subcontracts that exceed \$10,000. Construction work means construction, rehabilitation, alteration, conversion, extension, demolition or repair of buildings, highways, or other changes or improvements to real property, including facilities providing utility services. The term also includes the supervision, inspection, and other onsite functions incidental to the actual construction.

*Equipment:* The sponsor must incorporate this notice in any equipment project exceeding \$10,000 that involves installation of equipment onsite (e.g. electrical vault equipment). This provision does not apply to equipment acquisition projects where the manufacture of the equipment takes place offsite at the vendor plant (e.g. firefighting and snow removal vehicles)

*Professional Services:* The sponsor must incorporate this notice in any professional service agreement if the professional service agreement includes construction work (as defined above) that exceed \$10,000. Examples include installation of noise monitoring systems.

*Property/Land:* The sponsor must incorporate this notice in any agreement associated with land acquisition if the agreement includes construction work (defined above) that exceeds \$10,000. Examples include demolition of structures or installation of boundary fencing.

**Use of Provision** – The sponsor must incorporate the text of this provision without modification. The sponsor must incorporate the established minority participation goal and the covered area by geographic name within the provision text.

**A2.3 CONTRACT CLAUSE**

**NOTICE OF REQUIREMENT FOR AFFIRMATIVE ACTION to ENSURE EQUAL EMPLOYMENT OPPORTUNITY**

1. The Offeror's or Bidder's attention is called to the "Equal Opportunity Clause" and the "Standard Federal Equal Employment Opportunity Construction Contract Specifications" set forth herein.
2. The goals and timetables for minority and female participation, expressed in percentage terms for the contractor's aggregate workforce in each trade on all construction work in the covered area, are as follows:

The following goal for female utilization in each construction craft and trade shall apply to all Contractors holding Federal and federally-assisted construction contracts and subcontracts in excess of \$10,000. The goal is applicable to the Contractor's total on-site construction workforce, regardless of whether or not part of that workforce is performing work on a Federal, federally assisted or nonfederally related construction contract or subcontract.

AREA COVERED (STATEWIDE)

Goals for Women apply nationwide.

GOAL

Goal (percent)

Female Utilization..... 6.9

Until further notice, the following goals for minority utilization in each construction craft and trade shall apply to all Contractors holding Federal and federally-assisted construction contracts and subcontracts in excess of \$10,000 to be performed in the respective geographical areas. The goals are applicable to the Contractor's total on-site construction workforce, regardless of whether or not part of that workforce is performing work on a Federal, federally-assisted or nonfederally related construction contract or subcontract.

<u>Economic Area (percent)</u>	Goal
056 Paducah, KY: Non-SMSA Counties - IL - Hardin, Massac, Pope KY - Ballard, Caldwell, Calloway, Carlisle, Crittenden, Fulton, Graves, Hickman, Livingston, Lyon, McCracken, Marshall	5.2
080 Evansville, IN: Non-SMSA Counties - IL - Edwards, Gallatin, Hamilton, Lawrence, Saline, Wabash, White IN - Dubois, Knox, Perry, Pike, Spencer KY - Hancock, Hopkins, McLean, Mublenberg, Ohio, Union, Webster	3.5
081 Terre Haute, IN: Non-SMSA Counties - IL - Clark, Crawford IN - Parke	2.5
083 Chicago, IL: SMSA Counties: 1600 Chicago, IL - IL - Cook, DuPage, Kane, Lake, McHenry, Will	19.6
3740 Kankakee, IL - IL - Kankakee	9.1
Non-SMSA Counties IL - Bureau, DeKalb, Grundy, Iroquois, Kendall, LaSalle, Livingston, Putnam IN - Jasper, Laporte, Newton, Pulaski, Starke	18.4
084 Champaign - Urbana, IL: SMSA Counties: 1400 Champaign - Urbana - Rantoul, IL - IL - Champaign	7.8
Non-SMSA Counties - IL - Coles, Cumberland, Douglas, Edgar, Ford, Piatt, Vermilion	4.8
085 Springfield - Decatur, IL: SMSA Counties:	

2040 Decatur, IL - IL - Macon	7.6
7880 Springfield, IL - IL - Mendard, Sangamon	4.5
Non-SMSA Counties IL - Cass, Christian, Dewitt, Logan, Morgan, Moultrie, Scott, Shelby	4.0
086 Quincy, IL: Non-SMSA Counties	3.1
IL - Adams, Brown, Pike MO - Lewis, Marion, Pike, Ralls	
087 Peoria, IL: SMSA Counties: 1040 Bloomington - Normal, IL - IL - McLean	2.5
6120 Peoria, IL - IL - Peoria, Tazewell, Woodford	4.4
Non-SMSA Counties - IL - Fulton, Knox, McDonough, Marshall, Mason, Schuyler, Stark, Warren	3.3
088 Rockford, IL: SMSA Counties: 6880 Rockford, IL - IL - Boone, Winnebago	6.3
Non-SMSA Counties - IL - Lee, Ogle, Stephenson	4.6
098 Dubuque, IA: Non-SMSA Counties - IL - JoDaviess IA - Atlamakee, Clayton, Delaware, Jackson, Winnesheik WI - Crawford, Grant, Lafayette	0.5
099 Davenport, Rock Island, Moline, IA - IL: SMSA Counties: 1960 Davenport, Rock Island, Moline, IA - IL - IL - Henry, Rock Island IA - Scott	4.6
Non-SMSA Counties - IL - Carroll, Hancock, Henderson, Mercer, Whiteside IA - Clinton, DesMoines, Henry, Lee, Louisa, Muscatine MO - Clark	3.4
107 St. Louis, MO: SMSA Counties: 7040 St. Louis, MO - IL - IL - Clinton, Madison, Monroe, St. Clair MO - Franklin, Jefferson, St. Charles, St. Louis, St. Louis City	14.7
Non-SMSA Counties - IL - Alexander, Bond, Calhoun, Clay, Effingham, Fayette, Franklin, Greene, Jackson, Jasper, Jefferson, Jersey, Johnson, Macoupin, Marion, Montgomery, Perry, Pulaski, Randolph, Richland, Union, Washington, Wayne, Williamson MO - Bollinger, Butler, Cape Girardeau, Carter, Crawford, Dent, Gasconade, Iron, Lincoln, Madison, Maries, Mississippi, Montgomery, Perry, Phelps, Reynolds, Ripley, St. Francois, St. Genevieve, Scott, Stoddard, Warren, Washington, Wayne	11.4

These goals are applicable to all of the contractor's construction work (whether or not it is Federal or federally-assisted) performed in the covered area. If the contractor performs construction work in a geographical area located outside of the covered area, it shall apply the goals established for such geographical area where the work is actually performed. With regard to this second area, the contractor also is subject to the goals for both its federally involved and non-federally involved construction.

The Contractor's compliance with the Executive Order and the regulations in 41 CFR Part 60-4 shall be based on its implementation of the Equal Opportunity Clause, specific affirmative action obligations required by the specifications set forth in 41 CFR 60-4.3(a), and its efforts to meet the goals.



The hours of minority and female employment and training must be substantially uniform throughout the length of the contract, and in each trade, and the contractor shall make a good faith effort to employ minorities and women evenly on each of its projects. The transfer of minority or female employees or trainees from Contractor to Contractor or from project to project for the sole purpose of meeting the Contractor's goals shall be a violation of the contract, the Executive Order and the regulations in 41 CFR Part 60-4. Compliance with the goals will be measured against the total work hours performed.

3. The Contractor shall provide written notification to the Director of the Office of Federal Contract Compliance Programs (OFCCP) within 10 working days of award of any construction subcontract in excess of \$10,000 at any tier for construction work under the contract resulting from this solicitation. The notification shall list the name, address, and telephone number of the subcontractor; employer identification number of the subcontractor; estimated dollar amount of the subcontract; estimated starting and completion dates of the subcontract; and the geographical area in which the subcontract is to be performed.

4. As used in this notice and in the contract resulting from this solicitation, the "covered area" is Freeport, Illinois; Stephenson County.

### **A3 BREACH OF CONTRACT TERMS**

#### **A3.1 SOURCE**

2 CFR § 200 Appendix II(A)

#### **A3.2 APPLICABILITY**

This provision requires sponsors to incorporate administrative, contractual or legal remedies if contractors violate or breach contract terms. The sponsor must also include appropriate sanctions and penalties.

**Contract Types** – This provision is required for all contracts that exceed the simplified acquisition threshold as stated in 2 CFR Part 200, Appendix II (A). This threshold is occasionally adjusted for inflation, and is now equal to \$150,000.

**Use of Provision** – The regulation does not prescribe mandatory language. The following language is acceptable to the FAA and meets the intent of this requirement. If the sponsor uses different language, the sponsor's language must fully satisfy the requirements of part 200. Select either "contractor" or "consultant" as applicable.

#### **A3.3 CONTRACT CLAUSE**

##### **BREACH OF CONTRACT TERMS**

Any violation or breach of terms of this contract on the part of the contractor or its subcontractors may result in the suspension or termination of this contract or such other action that may be necessary to enforce the rights of the parties of this agreement.

Owner will provide the [*Contractor / Consultant*] written notice that describes the nature of the breach and corrective actions the [*Contractor / Consultant*] must undertake in order to avoid termination of the contract. Owner reserves the right to withhold payments to Contractor until such time the Contractor corrects the breach or the Owner elects to terminate the contract. The Owner's notice will identify a specific date by which the [*Contractor / Consultant*] must correct the breach. Owner may proceed with termination of the contract if the [*Contractor / Consultant*] fails to correct the breach by deadline indicated in the Owner's notice.

The duties and obligations imposed by the Contract Documents and the rights and remedies available thereunder are in addition to, and not a limitation of, any duties, obligations, rights and remedies otherwise imposed or available by law.

### **A4 BUY AMERICAN PREFERENCE**

#### **A4.1 SOURCE**

Title 49 USC § 50101

#### **A4.2 APPLICABILITY**

The sponsor must meet the Buy American preference requirements found in 49 USC § 50101 in all AIP-funded projects. The Buy America requirements flow down from the sponsor to first tier contractors, who are responsible for ensuring that lower tier contractors and subcontractors are in compliance. The Buy American preference also applies to professional service agreements if the agreement includes any manufactured product as a deliverable.

#### **A4.3 CONTRACT CLAUSE**

- (a) The Aviation Safety and Capacity Expansion Act of 1990 provides that preference be given to steel and manufactured products produced in the United States when funds are expended pursuant to a grant issued under the Airport Improvement Program (AIP).
- (b) Any and all steel products used in the performance of this contract by the Contractor, subcontractors, producers, and suppliers are required to adhere to the Illinois Steel Products Procurement Act, which requires that all steel items be of 100 percent domestic origin and manufacture. Any products listed under the Federal Aviation Administration's (FAA) nationwide approved list of "Equipment Meeting Buy American Requirements" shall be deemed as meeting the requirements of the Illinois Steel Products Procurement Act.

- (c) The successful bidder will be required to assure that only domestic steel and domestically manufactured products will be used by the Contractor, subcontractors, producers, and suppliers in the performance of this contract. The North American Free Trade Agreement (NAFTA) specifically excluded federal grant programs such as the AIP. Therefore, NAFTA does not change the requirement to comply with the Buy American requirement in the Act. Exceptions to this are for products, other than steel, that:
- (1) the FAA has determined, under the Aviation Safety and Capacity Expansion Act of 1990, are not produced in the United States in sufficient and reasonably available quantities or of a satisfactory quality;
  - (2) the FAA has determined, under the Aviation Safety and Capacity Expansion Act of 1990, that domestic preference would be inconsistent with the public interest;
  - (3) the FAA has determined that inclusion of domestic material will increase the cost of the overall project contract by more than 25 percent; or
  - (4) the FAA has determined, under the Aviation Safety and Capacity Expansion Act of 1990,
    - (i) the cost of components and subcomponents produced in the United States is more than 60 percent of the cost of all components of the facility or equipment, and
    - (ii) final assembly of the facility or equipment has occurred in the United States.

The FAA must grant waivers for any items that are included in these above exceptions. Bidders can review items already approved under the FAA nationwide approved list of "Equipment Meeting Buy American Requirements" on the FAA website, which do not require a specific FAA waiver.

All waivers are the responsibility of the Contractor, must be obtained prior to the Notice to Proceed, and must be submitted to the Illinois Division of Aeronautics for review and approval before being forwarded to the FAA. Any products used on the project that cannot meet the domestic requirement, and for which a waiver prior to the Notice to Proceed was not obtained, will be rejected for use and subject to removal and replacement with no additional compensation, and the contractor deemed non-responsive.

## **A5 CIVIL RIGHTS - GENERAL**

### **A5.1 SOURCE**

49 USC § 47123

### **A5.2 APPLICABILITY**

Note: This provision is in addition to the Civil Rights – Title VI provisions.

**Contract Types** – The General Civil Rights Provisions found in 49 USC § 47123, derived from the Airport and Airway Improvement Act of 1982, Section 520, apply to all sponsor contracts regardless of funding source.

**Use of Provision** – There are two versions of this provision. One applies to sponsor contracts and the other applies to sponsor lease agreements and transfer agreements. The sponsor must incorporate the text of the appropriate provision without modification.

### **A5.3 CONTRACT CLAUSE**

#### **A5.3.1 Sponsor Contracts**

##### **GENERAL CIVIL RIGHTS PROVISIONS**

The contractor agrees to comply with pertinent statutes, Executive Orders and such rules as are promulgated to ensure that no person shall, on the grounds of race, creed, color, national origin, sex, age, or disability be excluded from participating in any activity conducted with or benefiting from Federal assistance.

This provision binds the contractor and subtier contractors from the bid solicitation period through the completion of the contract. This provision is in addition to that required of Title VI of the Civil Rights Act of 1964.

#### **A5.3.2 Sponsor Lease Agreements and Transfer Agreements**

##### **GENERAL CIVIL RIGHTS PROVISIONS**

The tenant/concessionaire/lessee and its transferee agree to comply with pertinent statutes, Executive Orders and such rules as are promulgated to ensure that no person shall, on the grounds of race, creed, color, national origin, sex, age, or disability be excluded from participating in any activity conducted with or benefiting from Federal assistance.

This provision obligates the tenant/concessionaire/lessee or its transferee for the period during which Federal assistance is extended to the airport through the Airport Improvement Program.

In cases where Federal assistance provides, or is in the form of personal property; real property or interest therein; structures or improvements thereon, this provision obligates the party or any transferee for the longer of the following periods:

(a) The period during which the property is used by the airport sponsor or any transferee for a purpose for which Federal assistance is extended, or for another purpose involving the provision of similar services or benefits; or

(b) The period during which the airport sponsor or any transferee retains ownership or possession of the property.

**A6 CIVIL RIGHTS – TITLE VI ASSURANCE**

**A6.1 SOURCE**

49 USC § 47123

FAA Order 1400.11

**A6.2 APPLICABILITY**

Title VI of the Civil Rights Act of 1964, as amended, (Title VI) prohibits discrimination on the grounds of race, color, or national origin under any program or activity receiving Federal financial assistance. Sponsors must include appropriate clauses from the Standard DOT Title VI Assurances in all contracts and solicitations.

The clauses are as follows:

**A6.2.1 Applicability of Title VI Solicitation Notice**

<b>a. Contract Clause</b>	<b>b. The Sponsor must include the contract clause in:</b>	<b>c. Clause Text is Included in Paragraph</b>
d. Title VI Solicitation Notice	1) All solicitations for bids, requests for proposals work, or material subject to the nondiscrimination acts and regulations made in connection with Airport Improvement Program grants; and 2) All proposals for negotiated agreements regardless of funding source.	e. A6.3.1
f. Title VI Clauses for Compliance with Nondiscrimination Requirements	g. Every contract or agreement, unless the sponsor has determined and the FAA concurs, that the contract or agreement is not subject to the Nondiscrimination Acts and Authorities	h. A6.3.2
Title VI Required Clause for Property Interests Transferred from the United States	i. As a covenant running with the land, in any deed from the United States effecting or recording a transfer of real property, structures, use, or improvements thereon or interest therein to a sponsor.	j. A6.3.3
k. Title VI Required Clause for Transfer of Real Property Acquired or Improved Under the Activity, Facility or Program	l. As a covenant running with the land, in any future deeds, leases, licenses, permits, or similar instruments entered into by the sponsor with other parties for all transfers of real property acquired or improved under the activity, facility, or program	m. A6.3.4
Clauses for Construction/Use/Access to Real Property Acquired Under the Activity, Facility or Program	n. As a covenant running with the land, in any future deeds, leases, licenses, permits, or similar instruments entered into by the sponsor with other parties for the construction or use of, or access to, space on, over, or under real property acquired or improved under the applicable activity, project, or program	o. A6.3.5
Title VI List Of Pertinent Nondiscrimination Acts And Authorities	p. Insert this list in every contract or agreement, unless the sponsor has determined and the FAA concurs, that the contract or agreement is not subject to the Nondiscrimination Acts and Authorities	q. A6.3.6

**A6.3 CONTRACT CLAUSE**

**A6.3.1 Title VI Solicitation Notice**

**Title VI Solicitation Notice:**

The City of Freeport, in accordance with the provisions of Title VI of the Civil Rights Act of 1964 (78 Stat. 252, 42 U.S.C. §§ 2000d to 2000d-4) and the Regulations, hereby notifies all bidders that it will affirmatively ensure that any contract entered into pursuant to this advertisement, disadvantaged business enterprises will be afforded full and fair opportunity to submit bids in response to this invitation and will not be discriminated against on the grounds of race, color, or national origin in consideration for an award.

**A6.3.2 Title VI Clauses for Compliance with Nondiscrimination Requirements**

**Compliance with Nondiscrimination Requirements**

During the performance of this contract, the contractor, for itself, its assignees, and successors in interest (hereinafter referred to as the "contractor") agrees as follows:

**Compliance with Regulations:** The contractor (hereinafter includes consultants) will comply with the Title VI List of Pertinent Nondiscrimination Acts And Authorities, as they may be amended from time to time, which are herein incorporated by reference and made a part of this contract.

**Non-discrimination:** The contractor, with regard to the work performed by it during the contract, will not discriminate on the grounds of race, color, or national origin in the selection and retention of subcontractors, including procurements of materials and leases of equipment. The contractor will not participate directly or indirectly in the discrimination prohibited by the Nondiscrimination Acts and Authorities, including employment practices when the contract covers any activity, project, or program set forth in Appendix B of 49 CFR part 21.

**Solicitations for Subcontracts, Including Procurements of Materials and Equipment:** In all solicitations, either by competitive bidding, or negotiation made by the contractor for work to be performed under a subcontract, including procurements of materials, or leases of equipment, each potential subcontractor or supplier will be notified by the contractor of the contractor's obligations under this contract and the Nondiscrimination Acts And Authorities on the grounds of race, color, or national origin.

**Information and Reports:** The contractor will provide all information and reports required by the Acts, the Regulations, and directives issued pursuant thereto and will permit access to its books, records, accounts, other sources of information, and its facilities as may be determined by the sponsor or the Federal Aviation Administration to be pertinent to ascertain compliance with such Nondiscrimination Acts And Authorities and instructions. Where any information required of a contractor is in the exclusive possession of another who fails or refuses to furnish the information, the contractor will so certify to the sponsor or the Federal Aviation Administration, as appropriate, and will set forth what efforts it has made to obtain the information.

**Sanctions for Noncompliance:** In the event of a contractor's noncompliance with the Non-discrimination provisions of this contract, the sponsor will impose such contract sanctions as it or the Federal Aviation Administration may determine to be appropriate, including, but not limited to:

- a. Withholding payments to the contractor under the contract until the contractor complies; and/or
- b. Cancelling, terminating, or suspending a contract, in whole or in part.

**Incorporation of Provisions:** The contractor will include the provisions of paragraphs one through six in every subcontract, including procurements of materials and leases of equipment, unless exempt by the Acts, the Regulations and directives issued pursuant thereto. The contractor will take action with respect to any subcontract or procurement as the sponsor or the Federal Aviation Administration may direct as a means of enforcing such provisions including sanctions for noncompliance. Provided, that if the contractor becomes involved in, or is threatened with litigation by a subcontractor, or supplier because of such direction, the contractor may request the sponsor to enter into any litigation to protect the interests of the sponsor. In addition, the contractor may request the United States to enter into the litigation to protect the interests of the United States.

**A6.3.3 Title VI Clauses for Deeds Transferring United States Property**

**CLAUSES FOR DEEDS TRANSFERRING UNITED STATES PROPERTY**

The following clauses will be included in deeds effecting or recording the transfer of real property, structures, or improvements thereon, or granting interest therein from the United States pursuant to the provisions of the Airport Improvement Program grant assurances.

**NOW, THEREFORE,** the Federal Aviation Administration as authorized by law and upon the condition that the City of Freeport will accept title to the lands and maintain the project constructed thereon in accordance with Public Law 114-141, for the Airport Improvement Program and the policies and procedures prescribed by the Federal Aviation Administration of the U.S. Department of Transportation in accordance and in compliance with all requirements imposed by Title 49, Code of Federal Regulations, U.S. Department of Transportation, Subtitle A, Office of the Secretary, Part 21, Non-discrimination in Federally-assisted programs of the U.S. Department of Transportation pertaining to and effectuating the provisions of Title VI of the Civil Rights Act of 1964 (78 Stat. 252; 42 U.S.C. § 2000d to 2000d-4), does hereby remise, release, quitclaim and convey unto the City of Freeport all the right, title and interest of the U.S. Department of Transportation/Federal Aviation Administration in and to said lands described in the Exhibit A.

**(HABENDUM CLAUSE)**

**TO HAVE AND TO HOLD** said lands and interests therein unto the City of Freeport and its successors forever, subject, however, to the covenants, conditions, restrictions and reservations herein contained as follows, which will remain in effect for the period during which the real property or structures are used for a purpose for which Federal financial assistance is extended or for another purpose involving the provision of similar services or benefits and will be binding on the City of Freeport, its successors and assigns.

The City of Freeport, in consideration of the conveyance of said lands and interests in lands, does hereby covenant and agree as a covenant running with the land for itself, its successors and assigns, that (1) no person will on the grounds of race, color, or national origin, be excluded from participation in, be denied the benefits of, or be otherwise subjected to discrimination with regard to any facility located wholly or in part on, over, or under such lands hereby conveyed [,] [and]\* (2) that the City of Freeport will use the lands and interests in lands and interests in lands so conveyed, in compliance with all requirements imposed by or pursuant to Title 49, Code of Federal Regulations, U.S. Department of Transportation, Subtitle A,

Office of the Secretary, Part 21, Non-discrimination in Federally-assisted programs of the U.S. Department of Transportation, Effectuation of Title VI of the Civil Rights Act of 1964, and as said Regulations and Acts may be amended[, and (3) that in the event of breach of any of the above-mentioned non-discrimination conditions, the Department will have a right to enter or re-enter said lands and facilities on said land, and that above described land and facilities will thereon revert to and vest in and become the absolute property of the Federal Aviation Administration and its assigns as such interest existed prior to this instruction].\*

(\*Reverter clause and related language to be used only when it is determined that such a clause is necessary in order to make clear the purpose of Title VI.)

**A6.3.4 Title VI Clauses for Transfer of Real Property Acquired or Improved Under the Activity, Facility, or Program**

**CLAUSES FOR TRANSFER OF REAL PROPERTY ACQUIRED OR IMPROVED UNDER THE ACTIVITY, FACILITY, OR PROGRAM**

The following clauses will be included in deeds, licenses, leases, permits, or similar instruments entered into by the City of Freeport pursuant to the provisions of the Airport Improvement Program grant assurances.

- A. The (grantee, lessee, permittee, etc. as appropriate) for himself/herself, his/her heirs, personal representatives, successors in interest, and assigns, as a part of the consideration hereof, does hereby covenant and agree [in the case of deeds and leases add “as a covenant running with the land”] that:
  - 1. In the event facilities are constructed, maintained, or otherwise operated on the property described in this (deed, license, lease, permit, etc.) for a purpose for which a Federal Aviation Administration activity, facility, or program is extended or for another purpose involving the provision of similar services or benefits, the (grantee, licensee, lessee, permittee, etc.) will maintain and operate such facilities and services in compliance with all requirements imposed by the Nondiscrimination Acts and Regulations listed in the Pertinent List of Nondiscrimination Authorities (as may be amended) such that no person on the grounds of race, color, or national origin, will be excluded from participation in, denied the benefits of, or be otherwise subjected to discrimination in the use of said facilities.
- B. With respect to licenses, leases, permits, etc., in the event of breach of any of the above Nondiscrimination covenants, the City of Freeport will have the right to terminate the (lease, license, permit, etc.) and to enter, re-enter, and repossess said lands and facilities thereon, and hold the same as if the (lease, license, permit, etc.) had never been made or issued.\*
- C. With respect to a deed, in the event of breach of any of the above Nondiscrimination covenants, the City of Freeport will have the right to enter or re-enter the lands and facilities thereon, and the above described lands and facilities will there upon revert to and vest in and become the absolute property of the City of Freeport and its assigns.\*

(\*Reverter clause and related language to be used only when it is determined that such a clause is necessary to make clear the purpose of Title VI.)

**A6.3.5 Title VI Clauses for Construction/Use/Access to Real Property Acquired Under the Activity, Facility or Program**

**CLAUSES FOR CONSTRUCTION/USE/ACCESS TO REAL PROPERTY ACQUIRED UNDER THE ACTIVITY, FACILITY OR PROGRAM**

The following clauses will be included in deeds, licenses, permits, or similar instruments/agreements entered into by the City of Freeport pursuant to the provisions of the Airport Improvement Program grant assurances.

- A. The (grantee, licensee, permittee, etc., as appropriate) for himself/herself, his/her heirs, personal representatives, successors in interest, and assigns, as a part of the consideration hereof, does hereby covenant and agree (in the case of deeds and leases add, “as a covenant running with the land”) that (1) no person on the ground of race, color, or national origin, will be excluded from participation in, denied the benefits of, or be otherwise subjected to discrimination in the use of said facilities, (2) that in the construction of any improvements on, over, or under such land, and the furnishing of services thereon, no person on the ground of race, color, or national origin, will be excluded from participation in, denied the benefits of, or otherwise be subjected to discrimination, (3) that the (grantee, licensee, lessee, permittee, etc.) will use the premises in compliance with all other requirements imposed by or pursuant to the List of discrimination Acts And Authorities.
- B. With respect to (licenses, leases, permits, etc.), in the event of breach of any of the above nondiscrimination covenants, the City of Freeport will have the right to terminate the (license, permit, etc., as appropriate) and to enter or re-enter and repossess said land and the facilities thereon, and hold the same as if said (license, permit, etc., as appropriate) had never been made or issued.\*
- C. With respect to deeds, in the event of breach of any of the above nondiscrimination covenants, the City of Freeport will there upon revert to and vest in and become the absolute property of the City of Freeport and its assigns.\*

(\*Reverter clause and related language to be used only when it is determined that such a clause is necessary to make clear the purpose of Title VI.)

**A6.3.6 Title VI List of Pertinent Nondiscrimination Acts and Authorities**

**Title VI List of Pertinent Nondiscrimination Acts and Authorities**

During the performance of this contract, the contractor, for itself, its assignees, and successors in interest (hereinafter referred to as the “contractor”) agrees to comply with the following non-discrimination statutes and authorities; including but not limited to:

Title VI of the Civil Rights Act of 1964 (42 U.S.C. § 2000d *et seq.*, 78 stat. 252), (prohibits discrimination on the basis of race, color, national origin);  
49 CFR part 21 (Non-discrimination In Federally-Assisted Programs of The Department of Transportation—Effectuation of Title VI of The Civil Rights Act of 1964);

The Uniform Relocation Assistance and Real Property Acquisition Policies Act of 1970, (42 U.S.C. § 4601), (prohibits unfair treatment of persons displaced or whose property has been acquired because of Federal or Federal-aid programs and projects);

Section 504 of the Rehabilitation Act of 1973, (29 U.S.C. § 794 *et seq.*), as amended, (prohibits discrimination on the basis of disability); and 49 CFR part 27;

The Age Discrimination Act of 1975, as amended, (42 U.S.C. § 6101 *et seq.*), (prohibits discrimination on the basis of age);

Airport and Airway Improvement Act of 1982, (49 USC § 471, Section 47123), as amended, (prohibits discrimination based on race, creed, color, national origin, or sex);

The Civil Rights Restoration Act of 1987, (PL 100-209), (Broadened the scope, coverage and applicability of Title VI of the Civil Rights Act of 1964, The Age Discrimination Act of 1975 and Section 504 of the Rehabilitation Act of 1973, by expanding the definition of the terms “programs or activities” to include all of the programs or activities of the Federal-aid recipients, sub-recipients and contractors, whether such programs or activities are Federally funded or not);

Titles II and III of the Americans with Disabilities Act of 1990, which prohibit discrimination on the basis of disability in the operation of public entities, public and private transportation systems, places of public accommodation, and certain testing entities (42 U.S.C. §§ 12131 – 12189) as implemented by Department of Transportation regulations at 49 CFR parts 37 and 38;

The Federal Aviation Administration's Non-discrimination statute (49 U.S.C. § 47123) (prohibits discrimination on the basis of race, color, national origin, and sex);

Executive Order 12898, Federal Actions to Address Environmental Justice in Minority Populations and Low-Income Populations, which ensures non-discrimination against minority populations by discouraging programs, policies, and activities with disproportionately high and adverse human health or environmental effects on minority and low-income populations;

Executive Order 13166, Improving Access to Services for Persons with Limited English Proficiency, and resulting agency guidance, national origin discrimination includes discrimination because of limited English proficiency (LEP). To ensure compliance with Title VI, you must take reasonable steps to ensure that LEP persons have meaningful access to your programs (70 Fed. Reg. at 74087 to 74100);

Title IX of the Education Amendments of 1972, as amended, which prohibits you from discriminating because of sex in education programs or activities (20 U.S.C. 1681 *et seq.*).

## **A7 CLEAN AIR AND WATER POLLUTION CONTROL**

### **A7.1 SOURCE**

2 CFR § 200, Appendix II(G)

### **A7.2 APPLICABILITY**

**Contract Types** – This provision is required for all contracts and lower tier contracts that exceed \$150,000.

**Use of Provision** – The regulation does not prescribe mandatory language. The following language is acceptable to the FAA and meets the intent of this requirement. If the sponsor uses different language, the sponsor’s language must fully satisfy the requirements of Appendix II to 2 CFR §200.

### **A7.3 CONTRACT CLAUSE**

#### **CLEAN AIR AND WATER POLLUTION CONTROL**

Contractor agrees to comply with all applicable standards, orders, and regulations issued pursuant to the Clean Air Act (42 U.S.C. § 740-7671q) and the Federal Water Pollution Control Act as amended (33 U.S.C. § 1251-1387). The Contractor agrees to report any violation to the Owner immediately upon discovery. The Owner assumes responsibility for notifying the Environmental Protection Agency (EPA) and the Federal Aviation Administration.

Contractor must include this requirement in all subcontracts that exceeds \$150,000.

## **A8 CONTRACT WORKHOURS AND SAFETY STANDARDS ACT REQUIREMENTS**

### **A8.1 SOURCE**

2 CFR § 200, Appendix II(E)

### **A8.2 APPLICABILITY**

Contract Workhours and Safety Standards Act Requirements, (CWHSSA) requires contractors and subcontractors on covered contracts to pay laborers and mechanics employed in the performance of the contracts one and one-half times their basic rate of pay for all hours worked over 40 in a workweek. CWHSSA prohibits unsanitary, hazardous, or dangerous working conditions on federally assisted projects. The Wage and Hour Division (WHD) within the U.S. Department of Labor (DOL) enforces the compensation requirements of this Act, while DOL's Occupational Safety and Health Administration (OSHA) enforces the safety and health requirements

**Contract Types** –

*Construction* - This provision applies to all contracts and lower tier contracts that exceed \$100,000, and employ laborers, mechanics, watchmen and guards.

*Equipment* - This provision applies to any equipment project exceeding \$100,000 that involves installation of equipment onsite (e.g. electrical vault equipment). This provision does not apply to equipment acquisition projects where the manufacture of the equipment takes place offsite at the vendor plant (e.g. ARFF and SRE vehicles)

*Professional Services* - This provision applies to professional service agreements that exceed \$100,000 and employs laborers, mechanics, watchmen and guards. This includes members of survey crews and exploratory drilling operations.

*Property* – While most land transactions do not involve employment of laborers, mechanics, watchmen and guards, under certain circumstances, a property acquisition project could require such employment. Examples include the installation of property fencing or testing for environmental contamination

**Use of Provision** – Sponsors must incorporate this text without modification.

### **A8.3 CONTRACT CLAUSE**

#### **CONTRACT WORKHOURS AND SAFETY STANDARDS ACT REQUIREMENTS**

##### **1. Overtime Requirements.**

No contractor or subcontractor contracting for any part of the contract work which may require or involve the employment of laborers or mechanics shall require or permit any such laborer or mechanic, including watchmen and guards, in any workweek in which he or she is employed on such work to work in excess of forty hours in such workweek unless such laborer or mechanic receives compensation at a rate not less than one and one-half times the basic rate of pay for all hours worked in excess of forty hours in such workweek.

##### **2. Violation; Liability for Unpaid Wages; Liquidated Damages.**

In the event of any violation of the clause set forth in paragraph (1) of this clause, the contractor and any subcontractor responsible therefor shall be liable for the unpaid wages. In addition, such contractor and subcontractor shall be liable to the United States (in the case of work done under contract for the District of Columbia or a territory, to such District or to such territory), for liquidated damages. Such liquidated damages shall be computed with respect to each individual laborer or mechanic, including watchmen and guards, employed in violation of the clause set forth in paragraph (1) of this clause, in the sum of \$10 for each calendar day on which such individual was required or permitted to work in excess of the standard workweek of forty hours without payment of the overtime wages required by the clause set forth in paragraph (1) of this clause.

##### **3. Withholding for Unpaid Wages and Liquidated Damages.**

The Federal Aviation Administration (FAA) or the Owner shall upon its own action or upon written request of an authorized representative of the Department of Labor withhold or cause to be withheld, from any moneys payable on account of work performed by the contractor or subcontractor under any such contract or any other Federal contract with the same prime contractor, or any other Federally-assisted contract subject to the Contract Work Hours and Safety Standards Act, which is held by the same prime contractor, such sums as may be determined to be necessary to satisfy any liabilities of such contractor or subcontractor for unpaid wages and liquidated damages as provided in the clause set forth in paragraph 2 of this clause.

##### **4. Subcontractors.**

The contractor or subcontractor shall insert in any subcontracts the clauses set forth in paragraphs (1) through (4) and also a clause requiring the subcontractor to include these clauses in any lower tier subcontracts. The prime contractor shall be responsible for compliance by any subcontractor or lower tier subcontractor with the clauses set forth in paragraphs (1) through (4) of this clause.

### **A9 COPELAND “ANTI-KICKBACK” ACT**

#### **A9.1 SOURCE**

2 CFR § 200, Appendix II(D)

29 CFR Parts 3 & 5

#### **A9.2 APPLICABILITY and PURPOSE**

The Copeland (Anti-Kickback) Act (18 U.S.C. 874 and 40 U.S.C. 3145) makes it unlawful to induce by force, intimidation, threat of dismissal from employment, or by any other manner, any person employed in the construction or repair of public buildings or public works, financed in whole or in part by the United States, to give up any part of the compensation to which that person is entitled under a contract of employment. The Copeland Act also requires each contractor and subcontractor to furnish weekly a statement of compliance with respect to the wages paid each employee during the preceding week.

#### **Contract Types –**

*Construction* – This provision applies to all construction contracts and subcontracts financed under the AIP program that exceeds \$2,000.

*Equipment* – This provision applies to all equipment installation projects (e.g. electrical vault improvements) financed under the AIP program that exceeds \$ 2, 000. This provision does not apply to equipment acquisitions where the equipment is manufactured at the vendor’s plant (e.g. SRE and ARFF vehicles)

*Professional Services* - The emergence of different project delivery methods has created situations where Professional Service Agreements (PSA) includes tasks that meet the definition of construction, alteration or repair as defined in 29 CFR Part 5. If such tasks result in work that qualifies as construction, alteration or repair and it exceeds \$2,000, the PSA must incorporate the Copeland Anti-kickback provision.

*Property* - Ordinarily, land acquisition projects would not involve employment of laborers or mechanics and thus the Copeland Anti-Kickback provision would not apply. However, land projects that involve installation of boundary fencing and demolition of structures would involve laborers and mechanics. The sponsor must include this provision if the land acquisition project involves employment of laborers or mechanics for a contract exceeding \$2,000.

**Use of Provision** – 29 CFR Part 5 establishes specific language a sponsor must use in construction contracts. The sponsor may not make any modification to the standard language. A/E firms that employ laborers and mechanics on a task that meets the definition of construction, alteration or repair are acting as a contractor. The sponsor may not substitute the term “contractor” for “consultant” in such instances.

### **A9.3 CONTRACT CLAUSE**

#### **COPELAND “ANTI-KICKBACK” ACT**

Contractor must comply with the requirements of the Copeland “Anti-Kickback” Act (18 U.S.C. 874 and 40 U.S.C. 3145), as supplemented by Department of Labor regulation 29 CFR part 3. Contractor and subcontractors are prohibited from inducing, by any means, any person employed on the project to give up any part of the compensation to which the employee is entitled. The Contractor and each Subcontractor must submit to the Owner, a weekly statement on the wages paid to each employee performing on covered work during the prior week. Owner must report any violations of the Act to the Federal Aviation Administration.

### **A10 DAVIS-BACON REQUIREMENTS**

#### **A10.1 SOURCE**

2 CFR § 200, Appendix II(D)

29 CFR Part 5

#### **A10.2 APPLICABILITY**

The Davis-Bacon Act ensures that laborers and mechanics employed under the contract receive pay no less than the locally prevailing wages and fringe benefits as determined by the Department of Labor.

#### **Contract Types –**

*Construction* - Incorporate into all construction contracts and subcontracts that exceed \$2,000 and include funding from the AIP program.

*Equipment* – This provision applies to all equipment installation projects (e.g. electrical vault improvements) financed under the AIP program that exceeds \$ 2, 000. This provision does not apply to equipment acquisitions where the equipment is manufactured at the vendor’s plant (e.g. SRE and ARFF vehicles)

*Professional Services* - The emergence of different project delivery methods has created situations where Professional Service Agreements (PSA) includes tasks that meet the definition of construction, alteration or repair as defined in 29 CFR Part 5. If such tasks result in work that qualifies as construction, alteration or repair and it exceeds \$2,000, the PSA must incorporate this clause.

*Property* - Ordinarily, land acquisition projects would not involve employment of laborers or mechanics and thus the provision would not apply. However, land projects that involve installation of boundary fencing and demolition of structures would involve laborers and mechanics. The sponsor must include this provision if the land acquisition project involves employment of laborers or mechanics for a contract exceeding \$2,000.

*Fencing Projects* - Fencing projects that exceed \$2,000 must include this provision.

**Use of Provision** – 29 CFR Part 5 establishes specific language a sponsor must use. The sponsor may not make any modification to the standard language. A/E firms that employ laborers and mechanics on a task that meets the definition of construction, alteration or repair are acting as a contractor. The sponsor may not substitute the term “contractor” for “consultant” in such instances.

### **A10.3 CONTRACT CLAUSE**

#### **DAVIS-BACON REQUIREMENTS**

##### **1. Minimum Wages**

(i) All laborers and mechanics employed or working upon the site of the work will be paid unconditionally and not less often than once a week, and without subsequent deduction or rebate on any account (except such payroll deductions as are permitted by the Secretary of Labor under the Copeland Act (29 CFR Part 3)), the full amount of wages and bona fide fringe benefits (or cash equivalent thereof) due at time of payment computed at rates not less than those contained in the wage determination of the Secretary of Labor which is attached hereto and made a part hereof, regardless of any contractual relationship which may be alleged to exist between the contractor and such laborers and mechanics.

Contributions made or costs reasonably anticipated for bona fide fringe benefits under section 1(b)(2) of the Davis-Bacon Act on behalf of laborers or mechanics are considered wages paid to such laborers or mechanics, subject to the provisions of paragraph (1)(iv) of this section; also, regular



contributions made or costs incurred for more than a weekly period (but not less often than quarterly) under plans, funds, or programs which cover the particular weekly period, are deemed to be constructively made or incurred during such weekly period. Such laborers and mechanics shall be paid the appropriate wage rate and fringe benefits on the wage determination for the classification of work actually performed, without regard to skill, except as provided in 29 CFR Part 5.5(a)(4). Laborers or mechanics performing work in more than one classification may be compensated at the rate specified for each classification for the time actually worked therein: *Provided*, that the employer's payroll records accurately set forth the time spent in each classification in which work is performed. The wage determination (including any additional classification and wage rates conformed under (1)(ii) of this section) and the Davis-Bacon poster (WH-1321) shall be posted at all times by the contractor and its subcontractors at the site of the work in a prominent and accessible place where it can easily be seen by the workers.

(ii)(A) The contracting officer shall require that any class of laborers or mechanics, including helpers, which is not listed in the wage determination and which is to be employed under the contract shall be classified in conformance with the wage determination. The contracting officer shall approve an additional classification and wage rate and fringe benefits therefore only when the following criteria have been met:

(1) The work to be performed by the classification requested is not performed by a classification in the wage determination; and

(2) The classification is utilized in the area by the construction industry; and

(3) The proposed wage rate, including any bona fide fringe benefits, bears a reasonable relationship to the wage rates contained in the wage determination.

(B) If the contractor and the laborers and mechanics to be employed in the classification (if known), or their representatives, and the contracting officer agree on the classification and wage rate (including the amount designated for fringe benefits where appropriate), a report of the action taken shall be sent by the contracting officer to the Administrator of the Wage and Hour Division, Employment Standards Administration, U.S. Department of Labor, Washington, D.C. 20210. The Administrator, or an authorized representative, will approve, modify, or disapprove every additional classification action within 30 days of receipt and so advise the contracting officer or will notify the contracting officer within the 30-day period that additional time is necessary.

(C) In the event the contractor, the laborers or mechanics to be employed in the classification or their representatives, and the contracting officer do not agree on the proposed classification and wage rate (including the amount designated for fringe benefits where appropriate), the contracting officer shall refer the questions, including the views of all interested parties and the recommendation of the contracting officer, to the Administrator for determination. The Administrator, or an authorized representative, will issue a determination within 30 days of receipt and so advise the contracting officer or will notify the contracting officer within the 30-day period that additional time is necessary.

(D) The wage rate (including fringe benefits where appropriate) determined pursuant to subparagraphs (1)(ii) (B) or (C) of this paragraph, shall be paid to all workers performing work in the classification under this contract from the first day on which work is performed in the classification.

(iii) Whenever the minimum wage rate prescribed in the contract for a class of laborers or mechanics includes a fringe benefit which is not expressed as an hourly rate, the contractor shall either pay the benefit as stated in the wage determination or shall pay another bona fide fringe benefit or an hourly cash equivalent thereof.

(iv) If the contractor does not make payments to a trustee or other third person, the contractor may consider as part of the wages of any laborer or mechanic the amount of any costs reasonably anticipated in providing bona fide fringe benefits under a plan or program, *Provided*, That the Secretary of Labor has found, upon the written request of the contractor, that the applicable standards of the Davis-Bacon Act have been met. The Secretary of Labor may require the contractor to set aside in a separate account assets for the meeting of obligations under the plan or program.

## 2 Withholding.

The Federal Aviation Administration or the sponsor shall upon its own action or upon written request of an authorized representative of the Department of Labor withhold or cause to be withheld from the contractor under this contract or any other Federal contract with the same prime contractor, or any other Federally-assisted contract subject to Davis-Bacon prevailing wage requirements, which is held by the same prime contractor, so much of the accrued payments or advances as may be considered necessary to pay laborers and mechanics, including apprentices, trainees, and helpers, employed by the contractor or any subcontractor the full amount of wages required by the contract. In the event of failure to pay any laborer or mechanic, including any apprentice, trainee, or helper, employed or working on the site of work, all or part of the wages required by the contract, the Federal Aviation Administration may, after written notice to the contractor, sponsor, applicant, or owner, take such action as may be necessary to cause the suspension of any further payment, advance, or guarantee of funds until such violations have ceased.

## 3. Payrolls and basic records.

(i) Payrolls and basic records relating thereto shall be maintained by the contractor during the course of the work and preserved for a period of three years thereafter for all laborers and mechanics working at the site of the work. Such records shall contain the name, address, and social security number of each such worker, his or her correct classification, hourly rates of wages paid (including rates of contributions or costs anticipated for bona fide fringe benefits or cash equivalents thereof of the types described in 1(b)(2)(B) of the Davis-Bacon Act), daily and weekly number of hours worked, deductions made and actual wages paid. Whenever the Secretary of Labor has found under 29 CFR 5.5(a)(1)(iv) that the wages of any laborer or mechanic include the amount of any costs reasonably anticipated in providing benefits under a plan or program described in section 1(b)(2)(B) of the Davis-Bacon Act, the contractor shall maintain records which show that the commitment to provide such benefits is enforceable, that the plan or program is financially responsible, and that the plan or program has been communicated in writing to the laborers or mechanics affected, and records which show the costs anticipated or the actual costs incurred in providing such benefits. Contractors employing apprentices or trainees under approved programs shall maintain written evidence of the registration of apprenticeship programs and certification of trainee programs, the registration of the apprentices and trainees, and the ratios and wage rates prescribed in the applicable programs.

(ii)(A) The contractor shall submit weekly for each week in which any contract work is performed a copy of all payrolls to the Federal Aviation Administration if the agency is a party to the contract, but if the agency is not such a party, the contractor will submit the payrolls to the applicant, sponsor, or owner, as the case may be, for transmission to the Federal Aviation Administration. The payrolls submitted shall set out accurately and completely all of the information required to be maintained under 29 CFR 5.5(a)(3)(i), except that full social security numbers and home addresses shall not be included on weekly transmittals. Instead the payrolls shall only need to include an individually identifying number for each employee (e.g., the last four digits of the employee's social security number). The required weekly payroll information may be submitted in any form desired. Optional Form WH-347 is available for this purpose from the Wage and Hour Division Web site at <http://www.dol.gov/esa/whd/forms/wh347instr.htm> or its successor site. The prime contractor is responsible for the submission of copies of payrolls by all subcontractors. Contractors and subcontractors shall maintain the full social security number and current address of each covered worker, and shall provide them upon request to the Federal Aviation Administration if the agency is a party to the contract, but if the agency is not such a party, the contractor will submit them to the applicant, sponsor, or owner, as the case may be, for transmission to the Federal Aviation Administration, the contractor, or the Wage and Hour Division of the Department of Labor for purposes of an investigation or audit of compliance with prevailing wage requirements. It is not a violation of this section for a prime contractor to require a subcontractor to provide addresses and social security numbers to the prime contractor for its own records, without weekly submission to the sponsoring government agency (or the applicant, sponsor, or owner).

(B) Each payroll submitted shall be accompanied by a "Statement of Compliance," signed by the contractor or subcontractor or his or her agent who pays or supervises the payment of the persons employed under the contract and shall certify the following:

(1) That the payroll for the payroll period contains the information required to be provided under 29 CFR § 5.5(a)(3)(ii), the appropriate information is being maintained under 29 CFR § 5.5 (a)(3)(i) and that such information is correct and complete;

(2) That each laborer and mechanic (including each helper, apprentice and trainee) employed on the contract during the payroll period has been paid the full weekly wages earned, without rebate, either directly or indirectly, and that no deductions have been made either directly or indirectly from the full wages earned, other than permissible deductions as set forth in Regulations 29 CFR Part 3;

(3) That each laborer or mechanic has been paid not less than the applicable wage rates and fringe benefits or cash equivalents for the classification of work performed, as specified in the applicable wage determination incorporated into the contract.

(C) The weekly submission of a properly executed certification set forth on the reverse side of Optional Form WH-347 shall satisfy the requirement for submission of the "Statement of Compliance" required by paragraph (3)(ii)(B) of this section.

(D) The falsification of any of the above certifications may subject the contractor or subcontractor to civil or criminal prosecution under Section 1001 of Title 18 and Section 231 of Title 31 of the United States Code.

(iii) The contractor or subcontractor shall make the records required under paragraph (3)(i) of this section available for inspection, copying or transcription by authorized representatives of the sponsor, the Federal Aviation Administration or the Department of Labor, and shall permit such representatives to interview employees during working hours on the job. If the contractor or subcontractor fails to submit the required records or to make them available, the Federal agency may, after written notice to the contractor, sponsor, applicant or owner, take such action as may be necessary to cause the suspension of any further payment, advance, or guarantee of funds. Furthermore, failure to submit the required records upon request or to make such records available may be grounds for debarment action pursuant to 29 CFR 5.12.

#### 4. Apprentices and Trainees.

(i) Apprentices. Apprentices will be permitted to work at less than the predetermined rate for the work they performed when they are employed pursuant to and individually registered in a bona fide apprenticeship program registered with the U.S. Department of Labor, Employment and Training Administration, Bureau of Apprenticeship and Training, or with a State Apprenticeship Agency recognized by the Bureau, or if a person is employed in his or her first 90 days of probationary employment as an apprentice in such an apprenticeship program, who is not individually registered in the program, but who has been certified by the Bureau of Apprenticeship and Training or a State Apprenticeship Agency (where appropriate) to be eligible for probationary employment as an apprentice. The allowable ratio of apprentices to journeymen on the job site in any craft classification shall not be greater than the ratio permitted to the contractor as to the entire work force under the registered program. Any worker listed on a payroll at an apprentice wage rate, who is not registered or otherwise employed as stated above, shall be paid not less than the applicable wage rate on the wage determination for the classification of work actually performed. In addition, any apprentice performing work on the job site in excess of the ratio permitted under the registered program shall be paid not less than the applicable wage rate on the wage determination for the work actually performed. Where a contractor is performing construction on a project in a locality other than that in which its program is registered, the ratios and wage rates (expressed in percentages of the journeyman's hourly rate) specified in the contractor's or subcontractor's registered program shall be observed. Every apprentice must be paid at not less than the rate specified in the registered program for the apprentice's level of progress, expressed as a percentage of the journeymen hourly rate specified in the applicable wage determination. Apprentices shall be paid fringe benefits in accordance with the provisions of the apprenticeship program. If the apprenticeship program does not specify fringe benefits, apprentices must be paid the full amount of fringe benefits listed on the wage determination for the applicable classification. If the Administrator determines that a different practice prevails for the applicable apprentice classification, fringes shall be paid in accordance with that determination. In the event the Bureau of Apprenticeship and Training, or a State Apprenticeship Agency recognized by the Bureau, withdraws approval of an apprenticeship program, the contractor will no longer be permitted to utilize apprentices at less than the applicable predetermined rate for the work performed until an acceptable program is approved.

(ii) Trainees. Except as provided in 29 CFR 5.16, trainees will not be permitted to work at less than the predetermined rate for the work performed unless they are employed pursuant to and individually registered in a program which has received prior approval, evidenced by formal certification by the U.S. Department of Labor, Employment and Training Administration. The ratio of trainees to journeymen on the job site shall not be greater than permitted under the plan approved by the Employment and Training Administration. Every trainee must be paid at not less than the rate specified in the approved program for the trainee's level of progress, expressed as a percentage of the journeyman hourly rate specified in the applicable wage determination. Trainees shall be paid fringe benefits in accordance with the provisions of the trainee program. If the trainee program does not mention

fringe benefits, trainees shall be paid the full amount of fringe benefits listed on the wage determination unless the Administrator of the Wage and Hour Division determines that there is an apprenticeship program associated with the corresponding journeyman wage rate on the wage determination which provides for less than full fringe benefits for apprentices. Any employee listed on the payroll at a trainee rate that is not registered and participating in a training plan approved by the Employment and Training Administration shall be paid not less than the applicable wage rate on the wage determination for the classification of work actually performed. In addition, any trainee performing work on the job site in excess of the ratio permitted under the registered program shall be paid not less than the applicable wage rate on the wage determination for the work actually performed. In the event the Employment and Training Administration withdraws approval of a training program, the contractor will no longer be permitted to utilize trainees at less than the applicable predetermined rate for the work performed until an acceptable program is approved.

(iii) Equal Employment Opportunity. The utilization of apprentices, trainees and journeymen under this part shall be in conformity with the equal employment opportunity requirements of Executive Order 11246, as amended, and 29 CFR Part 30.

#### 5. Compliance with Copeland Act Requirements.

The contractor shall comply with the requirements of 29 CFR Part 3, which are incorporated by reference in this contract.

#### 6. Subcontracts.

The contractor or subcontractor shall insert in any subcontracts the clauses contained in 29 CFR Part 5.5(a)(1) through (10) and such other clauses as the Federal Aviation Administration may by appropriate instructions require, and also a clause requiring the subcontractors to include these clauses in any lower tier subcontracts. The prime contractor shall be responsible for the compliance by any subcontractor or lower tier subcontractor with all the contract clauses in 29 CFR Part 5.5.

#### 7. Contract Termination: Debarment.

A breach of the contract clauses in paragraph 1 through 10 of this section may be grounds for termination of the contract, and for debarment as a contractor and a subcontractor as provided in 29 CFR 5.12.

#### 8. Compliance With Davis-Bacon and Related Act Requirements.

All rulings and interpretations of the Davis-Bacon and Related Acts contained in 29 CFR Parts 1, 3, and 5 are herein incorporated by reference in this contract.

#### 9. Disputes Concerning Labor Standards.

Disputes arising out of the labor standards provisions of this contract shall not be subject to the general disputes clause of this contract. Such disputes shall be resolved in accordance with the procedures of the Department of Labor set forth in 29 CFR Parts 5, 6 and 7. Disputes within the meaning of this clause include disputes between the contractor (or any of its subcontractors) and the contracting agency, the U.S. Department of Labor, or the employees or their representatives.

#### 10. Certification of Eligibility.

(i) By entering into this contract, the contractor certifies that neither it (nor he or she) nor any person or firm who has an interest in the contractor's firm is a person or firm ineligible to be awarded Government contracts by virtue of section 3(a) of the Davis-Bacon Act or 29 CFR 5.12(a)(1).

(ii) No part of this contract shall be subcontracted to any person or firm ineligible for award of a Government contract by virtue of section 3(a) of the Davis-Bacon Act or 29 CFR 5.12(a)(1).

(iii) The penalty for making false statements is prescribed in the U.S. Criminal Code, 18 U.S.C. 1001.

## **A11 DEBARMENT AND SUSPENSION**

### **A11.1 SOURCE**

2 CFR part 180 (Subpart C)

2 CFR part 1200

DOT Order 4200.5

### **A11.2 APPLICABILITY**

The sponsor must verify that the firm or individual that it is entering into a contract with are not presently suspended, excluded or debarred by any Federal department or agency from participating in federally-assisted projects. The sponsor accomplishes this by: (1) checking the System for Award Management (SAM.gov) to verify that the firm or individual is not listed in SAM.gov as being suspended, debarred or excluded, (2) collecting a certification from the firm or individual that they are not suspended, debarred or excluded, and (3) incorporating a clause in the contract that requires lower tier contracts to verify that no suspended, debarred or excluded firm or individual are included in the project.

**Contract Types** – This requirement applies to *covered transactions*, which are defined in 2 CFR part 180. AIP funded contracts are non-procurement transactions, as defined by §180.970. Covered transactions include any AIP-funded contract, regardless of tier, that is awarded by a contractor, subcontractor, supplier, consultant, or its agent or representative in any transaction, if the amount of the contract is expected to equal or exceed \$25,000. This includes contracts associated with land acquisition projects.

**Use of Provision** – The regulation does not prescribe mandatory language, the following language is acceptable to the FAA and meets the intent of this requirement. If the sponsor uses different language, the sponsor's language must fully satisfy the requirements of 2 CFR part 180. For professional service agreements, sponsor may substitute bidder/offeror with consultant.

### **A 11.3 CONTRACT CLAUSE**

#### **A 11.3.1 Bidder or Offeror Certification**

##### **CERTIFICATION OF OFFERER/BIDDER REGARDING DEBARMENT**

By submitting a bid/proposal under this solicitation, the bidder or offeror certifies that neither it nor its principals are presently debarred or suspended by any Federal department or agency from participation in this transaction.

#### **A 11.3.2 Lower Tier Contract Certification**

##### **CERTIFICATION OF LOWER TIER CONTRACTORS REGARDING DEBARMENT**

The successful bidder, by administering each lower tier subcontract that exceeds \$25,000 as a "covered transaction", must verify each lower tier participant of a "covered transaction" under the project is not presently debarred or otherwise disqualified from participation in this federally assisted project. The successful bidder will accomplish this by:

1. Checking the System for Award Management at website: <http://www.sam.gov>
2. Collecting a certification statement similar to the Certificate Regarding Debarment and Suspension (Bidder or Offeror), above.
3. Inserting a clause or condition in the covered transaction with the lower tier contract

If the FAA later determines that a lower tier participant failed to disclose to a higher tier participant that it was excluded or disqualified at the time it entered the covered transaction, the FAA may pursue any available remedies, including suspension and debarment of the non-compliant participant.

## **A 12 DISADVANTAGED BUSINESS ENTERPRISE**

### **A 12.1 SOURCE**

49 CFR part 26

### **A 12.2 APPLICABILITY and PURPOSE**

A sponsor that anticipates awarding \$250,000 or more in AIP funded prime contracts in a federal fiscal year must have an approved Disadvantaged Business Enterprise (DBE) program on file with the FAA Office of Civil Rights (§26.21). The approved DBE program will identify a 3-year overall program goal that the sponsor bases on the availability of ready, willing and able DBEs relative to all businesses ready, willing and able to participate on the project (§26.45).

**Contract Types** – Sponsors with a DBE program on file with the FAA must include the three following provisions, if applicable:

Clause in all solicitations for proposals for which a contract goal has been established.

Clause in each prime contract

Clause in solicitations that are obtaining DBE participation through race/gender neutral means.

**Use of Provision** –

1. Solicitations with a DBE Project Goal - 49 CFR §26.53 requires a sponsor's solicitation to address what a contractor must submit on proposed DBE participation. This language is not required for projects where DBE participation is by race-gender neutral means.

The regulation does not prescribe mandatory language, the following language is acceptable to the FAA and meets the intent of this requirement. If the sponsor uses different language, the sponsor's revised language must fully these requirements.

The sponsor may require the contractor's submittal on proposed DBE participation either with the bid or within a specified timeframe after bidding.

2. Contracts Covered by DBE Program - Sponsors must incorporate this language if they have a DBE program on file with the FAA. This includes projects where DBE participation is obtained through race-gender neutral means (i.e. no project goal). Sections §26.13 and §26.29 establish mandatory language for contractor assurance and prompt payment. The sponsor must not modify the language.
3. The regulation does not prescribe mandatory language. The following language is acceptable to the FAA and meets the intent of this requirement. If the sponsor uses different language, the sponsor's revised language must fully these requirements for a sponsor that is not applying a project specific contract goal but is covered by a DBE program on file with the FAA.
4. Sponsors that do not have a DBE program on file with the FAA are not required to include DBE provisions and clauses.

## **A12.3 CONTRACT PROVISIONS**

### **A12.3.1 Solicitation Language (Project Goal)**

The Owner's award of this contract is conditioned upon Bidder or Offeror satisfying the good faith effort requirements of 49 CFR §26.53.

As a condition of bid responsiveness, the Bidder or Offeror must submit the following information with their proposal on the forms provided herein:

- (1) The names and addresses of Disadvantaged Business Enterprise (DBE) firms that will participate in the contract;
- (2) A description of the work that each DBE firm will perform;
- (3) The dollar amount of the participation of each DBE firm listed under (1)
- (4) Written statement from Bidder or Offeror that attests their commitment to use the DBE firm(s) listed under (1) to meet the Owner's project goal;
- (5) If Bidder or Offeror cannot meet the advertised project DBE goal; evidence of good faith efforts undertaken by the Bidder or Offeror as described in appendix A to 49 CFR Part 26.

The successful Bidder or Offeror must provide written confirmation of participation from each of the DBE firms the Bidder or Offeror lists in their commitment. This Bidder or Offeror must submit the DBE's written confirmation of participation ["within 5 days of receiving the Owners notice of award" or "with the proposal documents as a condition of bid responsiveness"]

### **A12.3.2 Contract Clause**

#### **DISADVANTAGED BUSINESS ENTERPRISES**

**Contract Assurance (§ 26.13)** - The contractor or subcontractor shall not discriminate on the basis of race, color, national origin, or sex in the performance of this contract. The contractor shall carry out applicable requirements of 49 CFR Part 26 in the award and administration of DOT assisted contracts. Failure by the contractor to carry out these requirements is a material breach of this contract, which may result in the termination of this contract or such other remedy, as the recipient deems appropriate.

**Prompt Payment (§26.29)** - The prime contractor agrees to pay each subcontractor under this prime contract for satisfactory performance of its contract no later than {specify number} days from the receipt of each payment the prime contractor receives from {Name of recipient}. The prime contractor agrees further to return retainage payments to each subcontractor within {specify the same number as above} days after the subcontractor's work is satisfactorily completed. Any delay or postponement of payment from the above referenced time frame may occur only for good cause following written approval of the {Name of Recipient}. This clause applies to both DBE and non-DBE subcontractors.

### **A12.3.3 RACE/GENDER NEUTRAL LANGUAGE**

The requirements of 49 CFR part 26 apply to this contract. It is the policy of the [Insert Name of Owner] to practice nondiscrimination based on race, color, sex or national origin in the award or performance of this contract. The Owner encourages participation by all firms qualifying under this solicitation regardless of business size or ownership.

## **A13 DISTRACTED DRIVING**

### **A13.1 SOURCE**

Executive Order 13513

DOT Order 3902.10

### **A13.2 APPLICABILITY**

The FAA encourages recipients of Federal grant funds to adopt and enforce safety policies that decrease crashes by distracted drivers, including policies to ban text messaging while driving when performing work related to a grant or sub-grant.

**Contract Types** – Sponsors must insert this provision in all AIP funded contracts that exceed the micro-purchase threshold of 2 CFR §200.67 (currently set at \$3,500).

**Use of Provision** – The regulation does not prescribe mandatory language, the following language is acceptable to the FAA and meets the intent of this requirement. If the sponsor uses different language, the sponsor's revised language must fully these requirements. .

### **A13.3 CONTRACT CLAUSE**

#### **TEXTING WHEN DRIVING**

In accordance with Executive Order 13513, "Federal Leadership on Reducing Text Messaging While Driving" (10/1/2009) and DOT Order 3902.10 "Text Messaging While Driving" (12/30/2009), the FAA encourages recipients of Federal grant funds to adopt and enforce safety policies that decrease crashes by distracted drivers, including policies to ban text messaging while driving when performing work related to a grant or sub-grant.

In support of this initiative, the Owner encourages the Contractor to promote policies and initiatives for its employees and other work personnel that decrease crashes by distracted drivers, including policies that ban text messaging while driving motor vehicles while performing work activities associated with the project. The Contractor must include the substance of this clause in all sub-tier contracts exceeding \$3,500 and involve driving a motor vehicle in performance of work activities associated with the project.

## **A14 ENERGY CONSERVATION REQUIREMENTS**

### **A14.1 SOURCE**

2 CFR § 200, Appendix II(H)

### **A14.2 APPLICABILITY**

The Energy Conservation Requirements found in 2 CFR § 200 Appendix II(H) requires this provision on energy efficiency.

**Contract Types** – The sponsor must include this provision in all AIP funded contracts and lower-tier contracts.

**Use of Provision** – The regulation does not prescribe mandatory language, the following language is acceptable to the FAA and meets the intent of this requirement. If the sponsor uses different language, the sponsor's revised language must fully these requirements. Sponsor may substitute "contractor and subcontractor" with "consultant and sub-consultant" for professional service agreements.

### **A14.3 CONTRACT CLAUSE**

#### **ENERGY CONSERVATION REQUIREMENTS**

Contractor and Subcontractor agree to comply with mandatory standards and policies relating to energy efficiency as contained in the state energy conservation plan issued in compliance with the Energy Policy and Conservation Act (42 U.S.C. 6201 *et seq.*).

## **A15 EQUAL EMPLOYMENT OPPORTUNITY (E.E.O.)**

### **A15.1 SOURCE**

2 CFR 200, Appendix II(C)

41 CFR § 60-1.4

41 CFR § 60-4.3

Executive Order 11246

### **A15.2 APPLICABILITY**

The purpose of this provision is to provide equal opportunity for all persons, without regard to race, color, religion, sex, or national origin who are employed or seeking employment with contractors performing under a federally assisted construction contract. There are two provisions – a construction clause and a specification clause.

The equal opportunity contract clause must be included in any contract or subcontract when the amount exceeds \$10,000. Once the equal opportunity clause is determined to be applicable, the contract or subcontract must include the clause for the remainder of the year, regardless of the amount or the contract.

**Contract Types** –

*Construction* – The sponsor must incorporate contract and specification language in all construction contracts and subcontracts as required above.

*Equipment* - The sponsor must incorporate contract and specification language into all equipment contracts as required above that involves installation of equipment onsite (e.g. electrical vault equipment). This provision does not apply to equipment acquisition projects where the manufacture of the equipment takes place offsite at the vendor plant (e.g. ARFF and SRE vehicles)

*Professional Services* - The sponsor must include contract and specification language into all professional service agreements as required above. *Property* – The sponsor must include contract and specification language into all land acquisition projects that include work that qualifies as construction work as defined by 41 CFR part 60 as required above. An example is installation of boundary fencing.

**Use of Provision** – 41 CFR § 60-1.4 provides the mandatory contract language. 41 CFR § 60-4.3 provides the mandatory specification language. The sponsor must incorporate these clauses without modification.

### **A15.3 MANDATORY CONTRACT CLAUSE**

#### **A15.3.1 E.E.O. Contract Clause**

#### **EQUAL OPPORTUNITY CLAUSE**

During the performance of this contract, the contractor agrees as follows:

(1) The contractor will not discriminate against any employee or applicant for employment because of race, color, religion, sex, or national origin. The contractor will take affirmative action to ensure that applicants are employed, and that employees are treated during employment without regard to their race, color, religion, sex, sexual orientation, gender identify or national origin. Such action shall include, but not be limited to the following: employment, upgrading, demotion, or transfer; recruitment or recruitment advertising; layoff or termination; rates of pay or other forms of

compensation; and selection for training, including apprenticeship. The contractor agrees to post in conspicuous places, available to employees and applicants for employment, notices to be provided setting forth the provisions of this nondiscrimination clause.

(2) The contractor will, in all solicitations or advertisements for employees placed by or on behalf of the contractor, state that all qualified applicants will receive considerations for employment without regard to race, color, religion, sex, or national origin.

(3) The contractor will send to each labor union or representative of workers with which he has a collective bargaining agreement or other contract or understanding, a notice to be provided advising the said labor union or workers' representatives of the contractor's commitments under this section, and shall post copies of the notice in conspicuous places available to employees and applicants for employment.

(4) The contractor will comply with all provisions of Executive Order 11246 of September 24, 1965, and of the rules, regulations, and relevant orders of the Secretary of Labor.

(5) The contractor will furnish all information and reports required by Executive Order 11246 of September 24, 1965, and by rules, regulations, and orders of the Secretary of Labor, or pursuant thereto, and will permit access to his books, records, and accounts by the administering agency and the Secretary of Labor for purposes of investigation to ascertain compliance with such rules, regulations, and orders.

(6) In the event of the contractor's noncompliance with the nondiscrimination clauses of this contract or with any of the said rules, regulations, or orders, this contract may be canceled, terminated, or suspended in whole or in part and the contractor may be declared ineligible for further Government contracts or federally assisted construction contracts in accordance with procedures authorized in Executive Order 11246 of September 24, 1965, and such other sanctions may be imposed and remedies invoked as provided in Executive Order 11246 of September 24, 1965, or by rule, regulation, or order of the Secretary of Labor, or as otherwise provided by law.

(7) The contractor will include the portion of the sentence immediately preceding paragraph (1) and the provisions of paragraphs (1) through (7) in every subcontract or purchase order unless exempted by rules, regulations, or orders of the Secretary of Labor issued pursuant to section 204 of Executive Order 11246 of September 24, 1965, so that such provisions will be binding upon each subcontractor or vendor. The contractor will take such action with respect to any subcontract or purchase order as the administering agency may direct as a means of enforcing such provisions, including sanctions for noncompliance: *Provided, however,* That in the event a contractor becomes involved in, or is threatened with, litigation with a subcontractor or vendor as a result of such direction by the administering agency the contractor may request the United States to enter into such litigation to protect the interests of the United States.

### **A 15.3.2 EEO Specification**

#### **STANDARD FEDERAL EQUAL EMPLOYMENT OPPORTUNITY CONSTRUCTION CONTRACT SPECIFICATIONS**

1. As used in these specifications:

- a. "Covered area" means the geographical area described in the solicitation from which this contract resulted;
- b. "Director" means Director, Office of Federal Contract Compliance Programs (OFCCP), U.S. Department of Labor, or any person to whom the Director delegates authority;
- c. "Employer identification number" means the Federal social security number used on the Employer's Quarterly Federal Tax Return, U.S. Treasury Department Form 941;
- d. "Minority" includes:
  - (1) Black (all) persons having origins in any of the Black African racial groups not of Hispanic origin);
  - (2) Hispanic (all persons of Mexican, Puerto Rican, Cuban, Central or South American, or other Spanish culture or origin regardless of race);
  - (3) Asian and Pacific Islander (all persons having origins in any of the original peoples of the Far East, Southeast Asia, the Indian Subcontinent, or the Pacific Islands); and
  - (4) American Indian or Alaskan native (all persons having origins in any of the original peoples of North America and maintaining identifiable tribal affiliations through membership and participation or community identification).

2. Whenever the contractor, or any subcontractor at any tier, subcontracts a portion of the work involving any construction trade, it shall physically include in each subcontract in excess of \$10,000 the provisions of these specifications and the Notice which contains the applicable goals for minority and female participation and which is set forth in the solicitations from which this contract resulted.

3. If the contractor is participating (pursuant to 41 CFR 60-4.5) in a Hometown Plan approved by the U.S. Department of Labor in the covered area either individually or through an association, its affirmative action obligations on all work in the Plan area (including goals and timetables) shall be in accordance with that Plan for those trades which have unions participating in the Plan. Contractors shall be able to demonstrate their participation in and compliance with the provisions of any such Hometown Plan. Each contractor or subcontractor participating in an approved plan is individually required to comply with its obligations under the EEO clause and to make a good faith effort to achieve each goal under the Plan in each trade in which it has employees. The overall good faith performance by other contractors or subcontractors toward a goal in an approved Plan does not excuse any covered contractor's or subcontractor's failure to take good faith efforts to achieve the Plan goals and timetables.

4. The contractor shall implement the specific affirmative action standards provided in paragraphs 7a through 7p of these specifications. The goals set forth in the solicitation from which this contract resulted are expressed as percentages of the total hours of employment and training of minority and female utilization the contractor should reasonably be able to achieve in each construction trade in which it has employees in the covered area.

Covered construction contractors performing construction work in a geographical area where they do not have a Federal or federally assisted construction contract shall apply the minority and female goals established for the geographical area where the work is being performed. Goals are published periodically in the Federal Register in notice form, and such notices may be obtained from any Office of Federal Contract Compliance Programs office or from Federal procurement contracting officers. The contractor is expected to make substantially uniform progress in meeting its goals in each craft during the period specified.

5. Neither the provisions of any collective bargaining agreement nor the failure by a union with whom the contractor has a collective bargaining agreement to refer either minorities or women shall excuse the contractor's obligations under these specifications, Executive Order 11246 or the regulations promulgated pursuant thereto.

6. In order for the non-working training hours of apprentices and trainees to be counted in meeting the goals, such apprentices and trainees shall be employed by the contractor during the training period and the contractor shall have made a commitment to employ the apprentices and trainees at the completion of their training, subject to the availability of employment opportunities. Trainees shall be trained pursuant to training programs approved by the U.S. Department of Labor.

7. The contractor shall take specific affirmative actions to ensure equal employment opportunity. The evaluation of the contractor's compliance with these specifications shall be based upon its effort to achieve maximum results from its actions. The contractor shall document these efforts fully and shall implement affirmative action steps at least as extensive as the following:

- a. Ensure and maintain a working environment free of harassment, intimidation, and coercion at all sites, and in all facilities at which the contractor's employees are assigned to work. The contractor, where possible, will assign two or more women to each construction project. The contractor shall specifically ensure that all foremen, superintendents, and other onsite supervisory personnel are aware of and carry out the contractor's obligation to maintain such a working environment, with specific attention to minority or female individuals working at such sites or in such facilities.
- b. Establish and maintain a current list of minority and female recruitment sources, provide written notification to minority and female recruitment sources and to community organizations when the contractor or its unions have employment opportunities available, and maintain a record of the organizations' responses.
- c. Maintain a current file of the names, addresses, and telephone numbers of each minority and female off-the-street applicant and minority or female referral from a union, a recruitment source, or community organization and of what action was taken with respect to each such individual. If such individual was sent to the union hiring hall for referral and was not referred back to the contractor by the union or, if referred, not employed by the contractor, this shall be documented in the file with the reason therefore along with whatever additional actions the contractor may have taken.
- d. Provide immediate written notification to the Director when the union or unions with which the contractor has a collective bargaining agreement has not referred to the contractor a minority person or female sent by the contractor, or when the contractor has other information that the union referral process has impeded the contractor's efforts to meet its obligations.
- e. Develop on-the-job training opportunities and/or participate in training programs for the area which expressly include minorities and women, including upgrading programs and apprenticeship and trainee programs relevant to the contractor's employment needs, especially those programs funded or approved by the Department of Labor. The contractor shall provide notice of these programs to the sources compiled under 7b above.
- f. Disseminate the contractor's EEO policy by providing notice of the policy to unions and training programs and requesting their cooperation in assisting the contractor in meeting its EEO obligations; by including it in any policy manual and collective bargaining agreement; by publicizing it in the company newspaper, annual report, etc.; by specific review of the policy with all management personnel and with all minority and female employees at least once a year; and by posting the company EEO policy on bulletin boards accessible to all employees at each location where construction work is performed.
- g. Review, at least annually, the company's EEO policy and affirmative action obligations under these specifications with all employees having any responsibility for hiring, assignment, layoff, termination, or other employment decisions including specific review of these items with onsite supervisory personnel such as superintendents, general foremen, etc., prior to the initiation of construction work at any job site. A written record shall be made and maintained identifying the time and place of these meetings, persons attending, subject matter discussed, and disposition of the subject matter.
- h. Disseminate the contractor's EEO policy externally by including it in any advertising in the news media, specifically including minority and female news media, and providing written notification to and discussing the contractor's EEO policy with other contractors and subcontractors with whom the contractor does or anticipates doing business.
- i. Direct its recruitment efforts, both oral and written, to minority, female, and community organizations, to schools with minority and female students; and to minority and female recruitment and training organizations serving the contractor's recruitment area and employment needs. Not later than one month prior to the date for the acceptance of applications for apprenticeship or other training by any recruitment source, the contractor shall send written notification to organizations, such as the above, describing the openings, screening procedures, and tests to be used in the selection process.
- j. Encourage present minority and female employees to recruit other minority persons and women and, where reasonable, provide after school, summer, and vacation employment to minority and female youth both on the site and in other areas of a contractor's workforce.
- k. Validate all tests and other selection requirements where there is an obligation to do so under 41 CFR Part 60-3.



- l. Conduct, at least annually, an inventory and evaluation at least of all minority and female personnel, for promotional opportunities and encourage these employees to seek or to prepare for, through appropriate training, etc., such opportunities.
- m. Ensure that seniority practices, job classifications, work assignments, and other personnel practices do not have a discriminatory effect by continually monitoring all personnel and employment related activities to ensure that the EEO policy and the contractor's obligations under these specifications are being carried out.
- n. Ensure that all facilities and company activities are non-segregated except that separate or single user toilet and necessary changing facilities shall be provided to assure privacy between the sexes.
- o. Document and maintain a record of all solicitations of offers for subcontracts from minority and female construction contractors and suppliers, including circulation of solicitations to minority and female contractor associations and other business associations.
- p. Conduct a review, at least annually, of all supervisor's adherence to and performance under the contractor's EEO policies and affirmative action obligations.

8. Contractors are encouraged to participate in voluntary associations, which assist in fulfilling one or more of their affirmative action obligations (7a through 7p). The efforts of a contractor association, joint contractor union, contractor community, or other similar groups of which the contractor is a member and participant, may be asserted as fulfilling any one or more of its obligations under 7a through 7p of these specifications provided that the contractor actively participates in the group, makes every effort to assure that the group has a positive impact on the employment of minorities and women in the industry, ensures that the concrete benefits of the program are reflected in the contractor's minority and female workforce participation, makes a good faith effort to meet its individual goals and timetables, and can provide access to documentation which demonstrates the effectiveness of actions taken on behalf of the contractor. The obligation to comply, however, is the contractor's and failure of such a group to fulfill an obligation shall not be a defense for the contractor's noncompliance.

9. A single goal for minorities and a separate single goal for women have been established. The contractor, however, is required to provide equal employment opportunity and to take affirmative action for all minority groups, both male and female, and all women, both minority and non-minority. Consequently, if the particular group is employed in a substantially disparate manner (for example, even though the contractor has achieved its goals for women generally,) the contractor may be in violation of the Executive Order if a specific minority group of women is underutilized.

10. The contractor shall not use the goals and timetables or affirmative action standards to discriminate against any person because of race, color, religion, sex, or national origin.

11. The contractor shall not enter into any subcontract with any person or firm debarred from Government contracts pursuant to Executive Order 11246.

12. The contractor shall carry out such sanctions and penalties for violation of these specifications and of the Equal Opportunity Clause, including suspension, termination, and cancellation of existing subcontracts as may be imposed or ordered pursuant to Executive Order 11246, as amended, and its implementing regulations, by the Office of Federal Contract Compliance Programs. Any contractor who fails to carry out such sanctions and penalties shall be in violation of these specifications and Executive Order 11246, as amended.

13. The contractor, in fulfilling its obligations under these specifications, shall implement specific affirmative action steps, at least as extensive as those standards prescribed in paragraph 7 of these specifications, so as to achieve maximum results from its efforts to ensure equal employment opportunity. If the contractor fails to comply with the requirements of the Executive Order, the implementing regulations, or these specifications, the Director shall proceed in accordance with 41 CFR 60-4.8.

14. The contractor shall designate a responsible official to monitor all employment related activity to ensure that the company EEO policy is being carried out, to submit reports relating to the provisions hereof as may be required by the Government, and to keep records. Records shall at least include for each employee, the name, address, telephone number, construction trade, union affiliation if any, employee identification number when assigned, social security number, race, sex, status (e.g., mechanic, apprentice, trainee, helper, or laborer), dates of changes in status, hours worked per week in the indicated trade, rate of pay, and locations at which the work was performed. Records shall be maintained in an easily understandable and retrievable form; however, to the degree that existing records satisfy this requirement, contractors shall not be required to maintain separate records.

15. Nothing herein provided shall be construed as a limitation upon the application of other laws which establish different standards of compliance or upon the application of requirements for the hiring of local or other area residents (e.g., those under the Public Works Employment Act of 1977 and the Community Development Block Grant Program).

## **A16 FEDERAL FAIR LABOR STANDARDS ACT (FEDERAL MINIMUM WAGE)**

### **A16.1 SOURCE**

29 U.S.C. § 201, et seq

### **A16.2 APPLICABILITY**

The United States Department of Labor (DOL) Wage and Hour Division administers the Fair Labor Standards Act (FLSA). This act prescribes federal standards for basic minimum wage, overtime pay, record keeping and child labor standards.

**Contract Types** – Per the Department of Labor, all employees of certain enterprises having workers engaged in interstate commerce, producing goods for interstate commerce, or handling, selling, or otherwise working on goods or materials that have been moved in or produced for such commerce by any person, are covered by the FLSA.

All consultants, sub-consultants, contractors and subcontractors employed under this federally assisted project must comply with the FLSA.

Professional Services – 29 CFR § 213 exempts employees in a bona fide executive, administrative or professional capacity. Because professional firms employ individuals that are not covered by this exemption, the sponsor's agreement with a professional services firm must include the FLSA provision.

**Use of Provision** – The regulation does not prescribe mandatory language, the following language is acceptable to the FAA and meets the intent of this requirement. If the sponsor uses different language, the sponsor's language must fully satisfy the requirements of 29 U.S.C. § 201. The sponsor must select *contractor* or *consultant*, as appropriate for the contract.

### **A16.3 CONTRACT CLAUSE**

All contracts and subcontracts that result from this solicitation incorporate by reference the provisions of 29 CFR part 201, the Federal Fair Labor Standards Act (FLSA), with the same force and effect as if given in full text. The FLSA sets minimum wage, overtime pay, recordkeeping, and child labor standards for full and part time workers.

The [*contractor* / *consultant*] has full responsibility to monitor compliance to the referenced statute or regulation. The [*contractor* / *consultant*] must address any claims or disputes that arise from this requirement directly with the U.S. Department of Labor – Wage and Hour Division

## **A17 LOBBYING AND INFLUENCING FEDERAL EMPLOYEES**

### **A17.1 SOURCE**

31 U.S.C. § 1352 – Byrd Anti-Lobbying Amendment

2 CFR part 200, Appendix II(J)

49 CFR part 20, Appendix A

### **A17.2 APPLICABILITY**

Consultants and contractors that apply or bid for an award of \$100,000 or more must certify that it will not and has not used Federal appropriated funds to pay any person or organization for influencing or attempting to influence an officer or employee of any agency, a member of Congress, officer or employee of Congress, or an employee of a member of Congress in connection with obtaining any Federal contract, grant or another award covered by 31 U.S.C. 1352. Each tier must also disclose any lobbying with non-Federal funds that takes place in connection with obtaining any Federal award.

**Contract Types** – The sponsor must incorporate this provision into all contracts exceeding \$100,000.

**Use of Provision** – Appendix A to 49 CFR Part 20 prescribes language the sponsor must use. The sponsor must incorporate this provision without modification.

### **A17.3 CONTRACT CLAUSE**

#### **CERTIFICATION REGARDING LOBBYING**

The bidder or offeror certifies by signing and submitting this bid or proposal, to the best of his or her knowledge and belief, that:

- (1) No Federal appropriated funds have been paid or will be paid, by or on behalf of the Bidder or Offeror, to any person for influencing or attempting to influence an officer or employee of an agency, a Member of Congress, an officer or employee of Congress, or an employee of a Member of Congress in connection with the awarding of any Federal contract, the making of any Federal grant, the making of any Federal loan, the entering into of any cooperative agreement, and the extension, continuation, renewal, amendment, or modification of any Federal contract, grant, loan, or cooperative agreement.
- (2) If any funds other than Federal appropriated funds have been paid or will be paid to any person for influencing or attempting to influence an officer or employee of any agency, a Member of Congress, an officer or employee of Congress, or an employee of a Member of Congress in connection with this Federal contract, grant, loan, or cooperative agreement, the undersigned shall complete and submit Standard Form-LLL, "Disclosure Form to Report Lobbying," in accordance with its instructions.
- (3) The undersigned shall require that the language of this certification be included in the award documents for all sub-awards at all tiers (including subcontracts, sub-grants, and contracts under grants, loans, and cooperative agreements) and that all sub-recipients shall certify and disclose accordingly.

This certification is a material representation of fact upon which reliance was placed when this transaction was made or entered into. Submission of this certification is a prerequisite for making or entering into this transaction imposed by section 1352, title 31, U.S. Code. Any person who fails to file the required certification shall be subject to a civil penalty of not less than \$10,000 and not more than \$100,000 for each such failure.

## **A18 PROHIBITION of SEGREGATED FACILITIES**

### **A18.1 SOURCE**

41 CFR § 60

## A18.2 APPLICABILITY

The contractor must comply with the requirements of the E.E.O. clause by ensuring that facilities they provide for employees are free of segregation on the basis of race, color, religion, sex, sexual orientation, gender identity, or national origin. This clause must be included in all contracts that include the equal opportunity clause, regardless of the amount of the contract.

**Contract Types** – AIP sponsors must incorporate the Prohibition of Segregated Facilities clause in any contract containing the Equal Employment Opportunity clause of 41 CFR §60.1. This obligation flows down to subcontract and sub-tier purchase orders containing the Equal Employment Opportunity clause.

*Construction* - Construction work means construction, rehabilitation, alteration, conversion, extension, demolition or repair of buildings, highways, or other changes or improvements to real property, including facilities providing utility services. The term also includes the supervision, inspection, and other onsite functions incidental to the actual construction.

*Equipment* – On site installation of equipment such as airfield lighting control equipment meets the definition of construction and thus this provision would apply. This provision does not apply to equipment projects involving manufacture of the item at a vendor's manufacturing plant. An example would be the manufacture of a SRE or ARFF vehicle.

*Professional Services* - Professional services that include tasks that qualify as construction work as defined by 41 CFR part 60. Examples include the installation of noise monitoring equipment.

*Property/Land* - Land acquisition contracts that include tasks that qualify as construction work as defined by 41 CFR part 60. Examples include demolition of structures or installation of boundary fencing.

**Use of Provision** – The regulation does not prescribe mandatory language, the following language is acceptable to the FAA and meets the intent of this requirement. If the sponsor uses different language, the sponsor's language must fully satisfy the requirements of 41 CFR § 60.

## A18.3 CONTRACT CLAUSE

### PROHIBITION of SEGREGATED FACILITIES

(a) The Contractor agrees that it does not and will not maintain or provide for its employees any segregated facilities at any of its establishments, and that it does not and will not permit its employees to perform their services at any location under its control where segregated facilities are maintained. The Contractor agrees that a breach of this clause is a violation of the Equal Opportunity clause in this contract.

(b) "Segregated facilities," as used in this clause, means any waiting rooms, work areas, rest rooms and wash rooms, restaurants and other eating areas, time clocks, locker rooms and other storage or dressing areas, parking lots, drinking fountains, recreation or entertainment areas, transportation, and housing facilities provided for employees, that are segregated by explicit directive or are in fact segregated on the basis of race, color, religion, sex, or national origin because of written or oral policies or employee custom. The term does not include separate or single-user rest rooms or necessary dressing or sleeping areas provided to assure privacy between the sexes.

(c) The Contractor shall include this clause in every subcontract and purchase order that is subject to the Equal Opportunity clause of this contract.

## A19 OCCUPATIONAL SAFETY AND HEALTH ACT OF 1970

### A19.1 SOURCE

20 CFR part 1910

### A19.2 APPLICABILITY

**Contract Types** – All contracts and subcontracts must comply with the Occupational Safety and Health Act of 1970 (OSH). The United States Department of Labor Occupational Safety & Health Administration (OSHA) oversees the workplace health and safety standards wage provisions from OSH.

**Use of Provision** – The regulation does not prescribe mandatory language. The following language is acceptable to the FAA and meets the intent of this requirement. If the sponsor uses different language, the sponsor's language must fully satisfy the requirements of 20 CFR part 1910.

### A19.3 CONTRACT CLAUSE

All contracts and subcontracts that result from this solicitation incorporate by reference the requirements of 29 CFR Part 1910 with the same force and effect as if given in full text. Contractor must provide a work environment that is free from recognized hazards that may cause death or serious physical harm to the employee. The Contractor retains full responsibility to monitor its compliance and their subcontractor's compliance with the applicable requirements of the Occupational Safety and Health Act of 1970 (20 CFR Part 1910). Contractor must address any claims or disputes that pertain to a referenced requirement directly with the U.S. Department of Labor – Occupational Safety and Health Administration.

## A20 PROCUREMENT OF RECOVERED MATERIALS

### A20.1 SOURCE

2 CFR § 200.322

40 CFR part 247

## A20.2 APPLICABILITY

Sponsors of AIP funded development and equipment projects must comply with Section 6002 of the Solid Waste Disposal Act, as amended by the Resource Conservation and Recovery Act. Section 6002 emphasizes maximizing energy and resource recovery through use of affirmative procurement actions for recovered materials identified in the EPA guidelines.

The requirements of § 6002 include procuring only items designated in guidelines of the Environmental Protection Agency (EPA) at 40 CFR part 247 that contain the highest percentage of recovered materials practicable, consistent with maintaining a satisfactory level of competition.

**Contract Types** – This provision applies to any contracts that include procurement of products where the purchase price of the item exceeds \$10,000 or the value of the quantity acquired by the preceding fiscal year exceeded \$10,000.

*Construction and Equipment* – Include this provision in all construction and equipment projects

*Professional Services and Property* – Include this provision if the agreement includes procurement of a product that exceeds \$10,000

**Use of Provision** – The regulation does not prescribe mandatory language. The following language is acceptable to the FAA and meets the intent of this requirement. If the sponsor uses different language, the sponsor's language must fully satisfy the requirements of 2 CFR § 200.

## A20.3 CONTRACT CLAUSE

### Procurement of Recovered Materials

Contractor and subcontractor agree to comply with Section 6002 of the Solid Waste Disposal Act, as amended by the Resource Conservation and Recovery Act, and the regulatory provisions of 40 CFR Part 247. In the performance of this contract and to the extent practicable, the Contractor and subcontractors are to use of products containing the highest percentage of recovered materials for items designated by the Environmental Protection Agency (EPA) under 40 CFR Part 247 whenever:

- a) The contract requires procurement of \$10,000 or more of a designated item during the fiscal year; or,

The contractor has procured \$10,000 or more of a designated item using Federal funding during the previous fiscal year.

The list of EPA-designated items is available at [www.epa.gov/epawaste/conserve/tools/cpg/products/](http://www.epa.gov/epawaste/conserve/tools/cpg/products/).

Section 6002(c) establishes exceptions to the preference for recovery of EPA-designated products if the contractor can demonstrate the item is:

- a) Not reasonably available within a timeframe providing for compliance with the contract performance schedule;
- b) Fails to meet reasonable contract performance requirements; or
- c) Is only available at an unreasonable price.

## A21 RIGHT TO INVENTIONS

### A21.1 SOURCE

2 CFR § 200, Appendix II(F)

37 CFR §401

### A21.2 APPLICABILITY

**Contract Types** – This provision applies to all contracts and subcontracts with small business firms or nonprofit organizations that includes performance of *experimental, developmental, or research work*. This clause is not applicable to construction, equipment or professional service contracts unless the contract includes *experimental, developmental or research work*.

**Use of Provision** – The regulation does not prescribe mandatory language. The following language is acceptable to the FAA and meets the intent of this requirement. If the sponsor uses different language, the sponsor's language must fully satisfy the requirements of Appendix II to 2 CFR part 200.

### A21.3 CONTRACT CLAUSE

#### RIGHTS TO INVENTIONS

Contracts or agreements that include the performance of experimental, developmental, or research work must provide for the rights of the Federal Government and the Owner in any resulting invention as established by 37 CFR part 401, Rights to Inventions Made by Non-profit Organizations and Small Business Firms under Government Grants, Contracts, and Cooperative Agreements. This contract incorporates by reference the patent and inventions rights as specified within in the 37 CFR §401.14. Contractor must include this requirement in all sub-tier contracts involving experimental, developmental or research work.

## A22 SEISMIC SAFETY

### A22.1 SOURCE

49 CFR part 41

## **A22.2 APPLICABILITY**

**Contract Types** – This provision applies to construction of new buildings and additions to existing buildings financed in whole or in part through the Airport Improvement Program.

*Professional Services and Construction* – Sponsor must incorporate this clause in any contract involved in the construction of new buildings or structural addition to existing buildings.

*Equipment* – Sponsor must include this provision if the project involves construction or structural addition to a building such as an electrical vault project.

*Land* – This provision will not typically apply to a property/land project.

**Use of Provision** – The regulation does not prescribe mandatory language. The following language is acceptable to the FAA and meets the intent of this requirement. If the sponsor uses different language, the sponsor's language must fully satisfy the requirements of 49 CFR part 41.

## **A22.3 CONTRACT CLAUSE**

### **A22.3.1 Professional Service Agreements for Design**

#### **Seismic Safety**

In the performance of design services, the Consultant agrees to furnish a building design and associated construction specification that conform to a building code standard which provides a level of seismic safety substantially equivalent to standards as established by the National Earthquake Hazards Reduction Program (NEHRP). Local building codes that model their building code after the current version of the International Building Code (IBC) meet the NEHRP equivalency level for seismic safety. At the conclusion of the design services, the Consultant agrees to furnish the Owner a "certification of compliance" that attests conformance of the building design and the construction specifications with the seismic standards of NEHRP or an equivalent building code.

### **A22.3.2 Construction Contracts**

#### **Seismic Safety**

The contractor agrees to ensure that all work performed under this contract, including work performed by subcontractors, conforms to a building code standard that provides a level of seismic safety substantially equivalent to standards established by the National Earthquake Hazards Reduction Program (NEHRP). Local building codes that model their code after the current version of the International Building Code (IBC) meet the NEHRP equivalency level for seismic safety.

## **A23 TERMINATION OF CONTRACT**

### **A23.1 SOURCE**

2 CFR § 200 Appendix II(B)

FAA Advisory Circular 150/5370-10, Section 80-09

### **A23.2 APPLICABILITY**

**Contract Types** – All contracts and subcontracts in excess of \$10,000 must address *termination for cause* and *termination for convenience* by the sponsor. The provision must address the manner (i.e. notice, opportunity to cure, and effective date) by which the sponsor's contract will be affected and the basis for settlement (i.e. incurred expenses, completed work, profit, etc.).

**Use of Provision** –

*Termination for Default* - Section 80-09 of FAA Advisory Circular 150/5370-10 establishes standard language for Termination for Default under a construction contract. The sponsor must not make any changes to this standard language.

*Termination for Convenience* – The sponsor must include a clause for termination for convenience. The following language is acceptable to the FAA and meets the intent of this requirement. If the sponsor uses different language, the sponsor's language must fully satisfy the requirements of Appendix II to 2 CFR part 200.

*Equipment, Professional Services and Property* – The sponsor may use their established clause language provided that it adequately addresses the intent of Appendix II(B) to Part 200, which addresses termination for fault and for convenience.

### **A23.3 CONTRACT CLAUSE**

#### **A23.3.1 Termination for Convenience**

##### **Termination for Convenience (Construction & Equipment Contracts)**

The Owner may terminate this contract in whole or in part at any time by providing written notice to the Contractor. Such action may be without cause and without prejudice to any other right or remedy of Owner. Upon receipt of a written notice of termination, except as explicitly directed by the Owner,

the Contractor shall immediately proceed with the following obligations regardless of any delay in determining or adjusting amounts due under this clause:

1. Contractor must immediately discontinue work as specified in the written notice.
2. Terminate all subcontracts to the extent they relate to the work terminated under the notice.
3. Discontinue orders for materials and services except as directed by the written notice.
4. Deliver to the owner all fabricated and partially fabricated parts, completed and partially completed work, supplies, equipment and materials acquired prior to termination of the work and as directed in the written notice.
5. Complete performance of the work not terminated by the notice.
6. Take action as directed by the owner to protect and preserve property and work related to this contract that Owner will take possession.

Owner agrees to pay Contractor for:

- a) completed and acceptable work executed in accordance with the contract documents prior to the effective date of termination;

documented expenses sustained prior to the effective date of termination in performing work and furnishing labor, materials, or equipment as required by the contract documents in connection with uncompleted work;

reasonable and substantiated claims, costs and damages incurred in settlement of terminated contracts with Subcontractors and Suppliers; and reasonable and substantiated expenses to the contractor directly attributable to Owner's termination action

Owner will not pay Contractor for loss of anticipated profits or revenue or other economic loss arising out of or resulting from the Owner's termination action.

The rights and remedies this clause provides are in addition to any other rights and remedies provided by law or under this contract.

#### **Termination for Convenience (Professional Services)**

The Owner may, by written notice to the Consultant, terminate this Agreement for its convenience and without cause or default on the part of Consultant. Upon receipt of the notice of termination, except as explicitly directed by the Owner, the Contractor must immediately discontinue all services affected.

Upon termination of the Agreement, the Consultant must deliver to the Owner all data, surveys, models, drawings, specifications, reports, maps, photographs, estimates, summaries, and other documents and materials prepared by the Engineer under this contract, whether complete or partially complete.

Owner agrees to make just and equitable compensation to the Consultant for satisfactory work completed up through the date the Consultant receives the termination notice. Compensation will not include anticipated profit on non-performed services.

Owner further agrees to hold Consultant harmless for errors or omissions in documents that are incomplete as a result of the termination action under this clause.

### **A23.3.2 Termination for Default**

#### **Termination for Default (Construction)**

Section 80-09 of FAA Advisory Circular 150/5370-10 establishes conditions, rights and remedies associated with Owner termination of this contract due default of the Contractor.

#### **Termination for Default (Equipment)**

The Owner may, by written notice of default to the Contractor, terminate all or part of this Contract if the Contractor:

1. Fails to commence the Work under the Contract within the time specified in the Notice- to-Proceed;
2. Fails to make adequate progress as to endanger performance of this Contract in accordance with its terms;
3. Fails to make delivery of the equipment within the time specified in the Contract, including any Owner approved extensions;
4. Fails to comply with material provisions of the Contract;
5. Submits certifications made under the Contract and as part of their proposal that include false or fraudulent statements;
6. Becomes insolvent or declares bankruptcy;

If one or more of the stated events occur, the Owner will give notice in writing to the Contractor and Surety of its intent to terminate the contract for cause. At the Owner's discretion, the notice may allow the Contractor and Surety an opportunity to cure the breach or default.

If within [10] days of the receipt of notice, the Contractor or Surety fails to remedy the breach or default to the satisfaction of the Owner, the Owner has authority to acquire equipment by other procurement action. The Contractor will be liable to the Owner for any excess costs the Owner incurs for acquiring such similar equipment.

Payment for completed equipment delivered to and accepted by the Owner shall be at the Contract price. The Owner may withhold from amounts otherwise due the Contractor for such completed equipment, such sum as the Owner determines to be necessary to protect the Owner against loss because of Contractor default.

Owner will not terminate the Contractor's right to proceed with the Work under this clause if the delay in completing the work arises from unforeseeable causes beyond the control and without the fault or negligence of the Contractor. Examples of such acceptable causes include: acts of God, acts of the Owner, acts of another Contractor in the performance of a contract with the Owner, and severe weather events that substantially exceed normal conditions for the location.

If, after termination of the Contractor's right to proceed, the Owner determines that the Contractor was not in default, or that the delay was excusable, the rights and obligations of the parties will be the same as if the Owner issued the termination for the convenience the Owner.

The rights and remedies of the Owner in this clause are in addition to any other rights and remedies provided by law or under this contract.

#### **Termination for Default (Professional Services)**

Either party may terminate this Agreement for cause if the other party fails to fulfill its obligations that are essential to the completion of the work per the terms and conditions of the Agreement. The party initiating the termination action must allow the breaching party an opportunity to dispute or cure the breach.

The terminating party must provide the breaching party [7] days advance written notice of its intent to terminate the Agreement. The notice must specify the nature and extent of the breach, the conditions necessary to cure the breach, and the effective date of the termination action. The rights and remedies in this clause are in addition to any other rights and remedies provided by law or under this agreement.

a) **Termination by Owner:** The Owner may terminate this Agreement in whole or in part, for the failure of the Consultant to:

1. Perform the services within the time specified in this contract or by Owner approved extension;
2. Make adequate progress so as to endanger satisfactory performance of the Project;
3. Fulfill the obligations of the Agreement that are essential to the completion of the Project.

Upon receipt of the notice of termination, the Consultant must immediately discontinue all services affected unless the notice directs otherwise. Upon termination of the Agreement, the Consultant must deliver to the Owner all data, surveys, models, drawings, specifications, reports, maps, photographs, estimates, summaries, and other documents and materials prepared by the Engineer under this contract, whether complete or partially complete.

Owner agrees to make just and equitable compensation to the Consultant for satisfactory work completed up through the date the Consultant receives the termination notice. Compensation will not include anticipated profit on non-performed services.

Owner further agrees to hold Consultant harmless for errors or omissions in documents that are incomplete as a result of the termination action under this clause.

If, after finalization of the termination action, the Owner determines the Consultant was not in default of the Agreement, the rights and obligations of the parties shall be the same as if the Owner issued the termination for the convenience of the Owner.

b) **Termination by Consultant:** The Consultant may terminate this Agreement in whole or in part, if the Owner:

1. Defaults on its obligations under this Agreement;
2. Fails to make payment to the Consultant in accordance with the terms of this Agreement;
3. Suspends the Project for more than [180] days due to reasons beyond the control of the Consultant.

Upon receipt of a notice of termination from the Consultant, Owner agrees to cooperate with Consultant for the purpose of terminating the agreement or portion thereof, by mutual consent. If Owner and Consultant cannot reach mutual agreement on the termination settlement, the Consultant may, without prejudice to any rights and remedies it may have, proceed with terminating all or parts of this Agreement based upon the Owner's breach of the contract.

In the event of termination due to Owner breach, the Engineer is entitled to invoice Owner and to receive full payment for all services performed or furnished in accordance with this Agreement and all justified reimbursable expenses incurred by the Consultant through the effective date of termination action. Owner agrees to hold Consultant harmless for errors or omissions in documents that are incomplete as a result of the termination action under this clause.

## **A24 TRADE RESTRICTION CERTIFICATION**

### **A24.1 SOURCE**

49 USC § 50104

49 CFR part 30

### **A24.2 APPLICABILITY**

Unless waived by the Secretary of Transportation, sponsors may not use AIP funds on a product or service from a foreign country included in the current list of countries that discriminate against U.S. firms as published by the Office of the United States Trade Representative (U.S.T.R)

**Contract Types** – The trade restriction certification and clause applies to all AIP funded projects.

**Use of Provision** – 49 CFR part 30 prescribes the language for this model clause. The sponsor must include this certification language in all contracts and subcontracts without modification.

## **A24.3 CONTRACT CLAUSE**

### **TRADE RESTRICTION CERTIFICATION**

By submission of an offer, the Offeror certifies that with respect to this solicitation and any resultant contract, the Offeror -

- a. is not owned or controlled by one or more citizens of a foreign country included in the list of countries that discriminate against U.S. firms as published by the Office of the United States Trade Representative (U.S.T.R.);
- b. has not knowingly entered into any contract or subcontract for this project with a person that is a citizen or national of a foreign country included on the list of countries that discriminate against U.S. firms as published by the U.S.T.R.; and
- c. has not entered into any subcontract for any product to be used on the Federal on the project that is produced in a foreign country included on the list of countries that discriminate against U.S. firms published by the U.S.T.R.

This certification concerns a matter within the jurisdiction of an agency of the United States of America and the making of a false, fictitious, or fraudulent certification may render the maker subject to prosecution under Title 18, United States Code, Section 1001.

The Offeror/Contractor must provide immediate written notice to the Owner if the Offeror/Contractor learns that its certification or that of a subcontractor was erroneous when submitted or has become erroneous by reason of changed circumstances. The Contractor must require subcontractors provide immediate written notice to the Contractor if at any time it learns that its certification was erroneous by reason of changed circumstances.

Unless the restrictions of this clause are waived by the Secretary of Transportation in accordance with 49 CFR 30.17, no contract shall be awarded to an Offeror or subcontractor:

- (1) who is owned or controlled by one or more citizens or nationals of a foreign country included on the list of countries that discriminate against U.S. firms published by the U.S.T.R. or
- (2) whose subcontractors are owned or controlled by one or more citizens or nationals of a foreign country on such U.S.T.R. list or
- (3) who incorporates in the public works project any product of a foreign country on such U.S.T.R. list;

Nothing contained in the foregoing shall be construed to require establishment of a system of records in order to render, in good faith, the certification required by this provision. The knowledge and information of a contractor is not required to exceed that which is normally possessed by a prudent person in the ordinary course of business dealings.

The Offeror agrees that, if awarded a contract resulting from this solicitation, it will incorporate this provision for certification without modification in all lower tier subcontracts. The contractor may rely on the certification of a prospective subcontractor that it is not a firm from a foreign country included on the list of countries that discriminate against U.S. firms as published by U.S.T.R., unless the Offeror has knowledge that the certification is erroneous.

This certification is a material representation of fact upon which reliance was placed when making an award. If it is later determined that the Contractor or subcontractor knowingly rendered an erroneous certification, the Federal Aviation Administration may direct through the Owner cancellation of the contract or subcontract for default at no cost to the Owner or the FAA.

## **A25 VETERAN'S PREFERENCE**

### **A25.1 SOURCE**

49 USC § 47112(c)

### **A25.2 APPLICABILITY**

**Contract Types** – This provision applies to all AIP funded projects that involve labor to carry out the project. This preference, which excludes executive, administrative and supervisory positions, applies to covered veterans (as defined under §47112(c)) only when they are readily available and qualified to accomplish the work required by the project.

**Use of Provision** – The regulation does not prescribe mandatory language, the following language is acceptable to the FAA and meets the intent of this requirement. If the sponsor uses different language, the sponsor's language must fully satisfy the requirements of 49 U.S.C. § 47112.

### **A25.3 CONTRACT CLAUSE**

#### **VETERAN'S PREFERENCE**

In the employment of labor (excluding executive, administrative, and supervisory positions), the contractor and all sub-tier contractors must give preference to covered veterans as defined within Title 49 United States Code Section 47112. Covered veterans include Vietnam-era veterans, Persian Gulf veterans, Afghanistan-Iraq war veterans, disabled veterans, and small business concerns (as defined by 15 U.S.C. 632) owned and controlled by disabled veterans. This preference only applies when there are covered veterans readily available and qualified to perform the work to which the employment relates.



05A

FR040

**SECTION III**

Special Provisions

For

**REHABILITATE RUNWAY 6/24**

**ILLINOIS PROJECT: FEP-4296  
S.B.G. PROJECT: 3-17-SBGP-XX**

at

**FREEPORT-ALBERTUS AIRPORT  
FREEPORT, ILLINOIS**

**FINAL SUBMITTAL  
June 3, 2016**

Prepared By:

**CRAWFORD, MURPHY & TILLY, INC.  
CONSULTING ENGINEERS  
550 N. COMMONS DRIVE, SUITE 116  
AURORA, ILLINOIS 60504  
<http://www.cmtengr.com>**



**15294-03-00**





**GENERAL**

These Special Provisions, together with applicable Standard Specifications, Rules and Regulations, Contract Requirements for Airport Improvement Projects, Payroll Requirements and Minimum Wage Rates which are hereto attached or which by reference are herein incorporated, cover the requirements of the State of Illinois, Department of Transportation, Division of Aeronautics for the construction of the subject project at the Freeport-Albertus Airport, Freeport, Illinois.

**GOVERNING SPECIFICATIONS AND RULES AND REGULATIONS**

The "Illinois Standard Specifications for Construction of Airports", dated April 1, 2012, State of Illinois Department of Transportation, Division of Aeronautics shall govern the project except as otherwise noted in these Special Provisions. In cases of conflict with any part or parts of said specifications, the said Special Provisions shall take precedence and shall govern. When noted within the Special Provisions, the Illinois Department of Transportation "Standard Specifications for Road and Bridge Construction", Adopted January 1, 2012, shall also apply.

**INDEX TO SPECIAL PROVISIONS**

<b>ITEM – DESCRIPTION</b>	<b>PAGE NUMBER</b>
<b>DIVISION I – GENERAL PROVISIONS</b>	<b>1</b>
SECTION 40 – Scope of Work .....	1
SECTION 50 – Control Of Work .....	2
SECTION 60 – Control Of Materials .....	4
SECTION 70 – Legal Relations And Responsibility To Public .....	5
SECTION 80 – Prosecution And Progress .....	7
SECTION 90 – Measurement And Payment .....	8
<b>DIVISION II – PAVING CONSTRUCTION DETAILS</b>	<b>9</b>
ITEM 150510 – Engineer's Field Office .....	9
ITEM 150520 – Mobilization .....	10
ITEM 152000 – Excavation And Embankment .....	11
ITEM 156000 – Erosion Control.....	15
ITEM 201661 – Clean & Seal Bituminous Cracks .....	17
ITEM 201663 – Sand Mix Crack Repair .....	18
ITEM 401000 – Bituminous Surface Course - Superpave (Method II) .....	19
ITEM 401640 – Bituminous Pavement Grooving.....	21
ITEM 401650 – Bituminous Pavement Milling .....	22
ITEM 401655 – Butt Joint Construction .....	23
ITEM 401915 and ITEM 401916 – Remove And Replace HMA Pavement .....	24
ITEM 603000 – Bituminous Tack Coat .....	27
ITEM 620000 – Pavement Marking .....	28
<b>DIVISION IV – DRAINAGE</b>	<b>30</b>
ITEM 701000 – Pipe For Storm Sewers and Culverts.....	30
ITEM 705000 – Pipe Underdrains for Airports .....	31
ITEM 751000 – Manholes, Catch Basins, Inlets & Inspection Holes.....	32
<b>DIVISION V – TURFING</b>	<b>33</b>

ITEM 901000 – Seeding .....33  
 ITEM 908000 – Mulching .....35

**DIVISION VI - LIGHTING INSTALLATION 36**

ITEM 108000 – Installation Of Underground Cable For Airports .....36  
 ITEM 110000 – Installation Of Airport Underground Electrical Duct .....40  
 ITEM 125000 – Installation Of Airport Lighting Systems .....42

**IDOT DIVISION OF AERONAUTICS POLICY MEMORANDA**

**POLICY MEMORANDA – APPENDIX A INDEX**

<u>No.</u>	<u>Date</u>	<u>Description</u>
07-21	1/1/07	ACCEPTANCE PROCEDURE FOR FINELY DIVIDED MINERALS USED IN PORTLAND CEMENT CONCRETE AND OTHER APPLICATIONS
87-2	2/20/14	DENSITY ACCEPTANCE OF BITUMINOUS PAVEMENTS
87-4	2/20/14	DETERMINATION OF BULK SPECIFIC GRAVITY (d) OF COMPACTED BITUMINOUS MIXES
96-1	4/1/10	ITEM 610, STRUCTURAL PORTLAND CEMENT CONCRETE: JOB MIX FORMULA APPROVAL & PRODUCTION TESTING
96-3	2/20/14	REQUIREMENTS FOR QUALITY ASSURANCE ON PROJECTS WITH BITUMINOUS CONCRETE PAVING
97-2	1/1/04	PAVEMENT MARKING PAINT ACCEPTANCE
2003-1	6/12/14	REQUIREMENTS FOR LABORATORY, TESTING, QUALITY CONTROL, AND PAVING OF SUPERPAVE BITUMINOUS CONCRETE MIXTURES FOR AIRPORTS

---

## **DIVISION I – GENERAL PROVISIONS**

### **SECTION 40 – SCOPE OF WORK**

#### **40-05 MAINTENANCE OF TRAFFIC**

ADD:

The Contractor shall be responsible for cleaning and maintaining all haul roads and use a pick-up type sweeper on all pavements and adjacent roadways utilized in hauling operations when material is tracked onto said pavement. **The Contractor shall have a sweeper on site and maintain all pavements clear of dirt and debris at all times or as requested by the Resident Engineer.** If the Contractor fails to comply with the Standard Specifications, Contract Plans or these Special Provisions concerning traffic control, the Resident Engineer shall execute such work as may be deemed necessary to correct deficiencies and the cost thereof shall be deducted from compensation due or which may become due the Contractor under the contract. The Contractor shall be responsible for supplying, maintaining and moving all barricades required for construction. The cost thereof shall not be paid for separately, but shall be considered incidental to the contract unit prices.

The Executive Director, following consultation with the Resident Engineer, will give proper notice to the nearest Flight Service Station and the Airways Facilities Chief of the Federal Aviation Administration prior to the beginning of construction. The Contractor shall furnish a flagger in radio control with the Air Traffic at any time the active taxiways or airfield pavement are crossed or used for a haul road. The Contractor shall supply his own radios. The cost thereof shall not be paid for separately, but shall be considered incidental to the contract unit prices.

#### **40-09 AIRPORT OPERATIONS DURING CONSTRUCTION**

ADD:

a. Construction Activity and Aircraft Movements

For construction activity to be performed in areas other than active operational areas, the storage and parking of equipment and materials, when not in use or about to be installed, shall not encroach upon active operational areas. In protecting operational areas, the minimum clearances maintained for runways shall be in conformance with Part 77 of the Federal Aviation Regulations.

All construction operations shall conform to the plans and in accordance with AC 150/5370-2 (Latest Edition) Operational Safety on Airports during Construction.

b. Limitations on Construction

- (1) Open flame welding or torch cutting operations shall be prohibited, unless adequate fire and safety precautions are provided.
- (2) Open trenches, excavations and stockpiled material near any pavements shall be prominently marked with red flags and lighted by light units during hours of restricted visibility and/or darkness.

- (3) Stockpiled material shall be constrained in a manner to prevent movement resulting from aircraft blast or wind conditions.
  - (4) The use of explosives shall be prohibited.
  - (5) Burning shall not be allowed.
- c. Debris

Waste and loose material capable of causing damage to aircraft landing gears, propellers, or being ingested in jet engines shall not be placed on active aircraft movement areas. Material tracked on these areas shall be removed continuously during the work. The Contractor shall provide garbage cans in employee parking areas and storage areas for debris.

## **SECTION 50 – CONTROL OF WORK**

### **50-06 CONSTRUCTION LAYOUT**

#### **RESPONSIBILITY OF THE RESIDENT ENGINEER**

DELETE:

Paragraphs A and B and replace with the following:

A. The Resident Engineer will locate and reference three (3) control points within the limits of the project.

A benchmark has been established along the project outside of construction lines.

ADD:

M. It is not the responsibility of the Resident Engineer to check the correctness of the Contractor's stakes or forms, except as provided herein; however, any errors that are apparent shall be immediately called to the Contractor's attention, and he shall be required to make the necessary correction before the stakes are used for construction purposes.

#### **RESPONSIBILITY OF THE CONTRACTOR**

ADD:

H. The Contractor shall immediately notify the Resident Engineer of conflicts or discrepancies with the established control points.

I. Construction layout shall not be paid for separately, but shall be considered incidental to the pay item for which the layout is required.

### **50-10 INSPECTION OF WORK**

ADD:

The Contractor shall provide portable flood lighting for nighttime construction. Sufficient units shall be provided so that work areas are illuminated to a level of five horizontal foot candles. The lighting levels

shall be calculated and measured in accordance with the current standards of the Illumination Engineering Society. Lights shall be positioned so as not to interfere with Airport operations.

**50-12 LOAD RESTRICTIONS**

ADD:

Contractor's use of the existing airfield and perimeter pavements by equipment and loaded trucks shall be minimized. **Any damage to existing airfield and perimeter pavements shall be repaired by the Contractor at his own expense to the satisfaction of the Owner. Contractor shall obtain written permission from the Airport Owner to use any airfield pavements.**

The Contractor shall not be allowed to use FAA access roads at any time.

**50-18 PLANS AND WORK DRAWINGS**

DELETE:

References to "approval" in first paragraph and replace with "review".

REVISE the fifth paragraph to read:

Shop drawings submitted by the Contractor for materials and/or equipment to be provided as a part of the contract shall be reviewed by the Project Engineer for substantial conformance of said materials and/or equipment, to contract requirements. Shop drawings shall be fully descriptive, complete and of sufficient detail for ready determination of compliance.

REVISE the last paragraph to read:

The following information shall be clearly marked on each shop, working, and layout drawing, catalog cut, pamphlet specifications sheet, etc., submitted.

<b>PROJECT LOCATION:</b>	<b>Freeport-Albertus Airport</b>
<b>PROJECT TITLE:</b>	<b>Rehabilitate Runway 6/24</b>
<b>PROJECT NUMBERS:</b>	<b>IL Project: FEP-4296 SBG Project: 3-17-SBGP-XX</b>
<b>CONTRACT ITEM:</b>	<b>(i.e. AR156520 Inlet Protection)</b>
<b>SUBMITTED BY:</b>	<b>(Contractor/Subcontractor Name)</b>
<b>DATE:</b>	<b>(Date Submitted)</b>

## **SECTION 60 – CONTROL OF MATERIALS**

### **60-01 SOURCE OF SUPPLY AND QUALITY REQUIREMENTS**

ADD: After the last paragraph

The Contractor shall certify all materials contained in the contract. Certification documentation shall be submitted to the Engineer. It shall be the sole responsibility of the Contractor to ensure the delivery of adequate and accurate documentation prior to the delivery of the materials.

**If, upon delivery and incorporation of any materials, the Contractor has failed to provide the necessary submittals as required by Sections 50-18, 60-01, 60-03 and 60-11 of the Standard Specifications and Special Provisions, the pay item shall not be included on the Construction Progress Payment report until such submittals have been furnished.**

### **60-03 CERTIFICATION OF COMPLIANCE**

ADD:

Additional requirements are specified in Section 60-11 Certification of Materials.

### **60-11 CERTIFICATION OF MATERIALS**

ADD:

The Contractor shall certify all materials incorporated into the contract. Certification documentation shall be submitted to the Resident Engineer. It shall be the **sole** responsibility of the Contractor to ensure the submittal of adequate and accurate documentation in order to satisfy the contract material certification requirements **prior** to the delivery of the materials. Materials without certification or those with certification that demonstrates the materials do not meet the requirements of the plans and specifications shall be considered nonconforming and subject to the provisions of Section 50-02.

As a guide to the certification process and requirements, the Contractor shall use the Illinois Department of Transportation/Division of Aeronautics MANUAL FOR DOCUMENTATION OF AIRPORT MATERIALS dated April 1, 2010 or latest edition including any addendums. Copies of this manual are available by contacting Mr. Mike Wilhelm-Division of Aeronautics at (217) 785-4282 or from their website at <http://www.idot.illinois.gov/home/resources/Manuals/Manuals-and-Guides>.

The cost of providing the required material documentation and certifications shall not be paid for separately, but shall be considered incidental to the associated item.



## **SECTION 70 – LEGAL RELATIONS AND RESPONSIBILITY TO PUBLIC**

### **70-17 CONTRACTOR'S RESPONSIBILITY FOR UTILITY SERVICE AND FACILITIES OF OTHERS**

ADD:

Special care shall be taken on all operations, and particularly near pavement edges, to avoid damage to edge lights and all underground electrical cable on the airport. The approximate location of existing underground cable is shown on drawings. Any airfield lights or cable that are broken and require replacement because of the Contractor's operations will be replaced by the contractor at his own expense.

Any airfield cable repairs or replacement to any part of the electrical system made necessary by the Contractor's operations will be made by him in the manner specified in Sections 108 and 125 at no cost to the airport. Cost of replacement to be borne by the Contractor shall include any expense incurred in locating as well as repairing or replacing damaged parts of the system by the owning agency.

**It shall be the Contractor's responsibility to locate and protect all airport-owned utilities within the construction limits.** This includes all electrical cables, storm sewer, drain tile, sanitary sewer and water main.

Special attention is necessary when working near FAA power and control cables. Any FAA utility that is damaged or cut during construction shall be repaired immediately. FAA requires that any damaged cable be replaced in its entirety, from power/control source to the equipment/service. Splices of any kind will not be permitted. Exposures of any FAA cables must be done by hand digging or hydro-excavation. No additional compensation will be made for locating, replacement or repair of FAA facilities or cables but, shall be incidental to the contract.

When FAA cables are required to be located, or the contractor is planning on working on or around FAA cables, conduits or equipment, a 10 working day advanced notice shall be given to the FAA before any such markings are required. Once FAA marks the cables, the contractor will be required to survey the FAA utilities so they can be replaced during construction without remarking by the FAA. This shall be incidental to the contract. The FAA personnel are only available from 9 am to 3 pm, Monday through Friday with advanced notice.

Should any utilities or cables require location, the following people shall be contacted:

**FREEPORT-ALBERTUS AIRPORT**

<u>Utility Service or Facility</u>	<u>Contact (Person)</u>	<u>Contact (Phone)</u>
Telephone Cables	J.U.L.I.E. (Joint Utility Locating Information for Excavators)	1-800-892-0123
ComEd - Electric Cables	J.U.L.I.E. (Joint Utility Locating Information for Excavators)	1-800-892-0123
Airfield Lighting Cables	FREEPORT ALBERTUS AIRPORT	1-815-232-1078
NICOR - Gas Lines	J.U.L.I.E. (Joint Utility Locating Information for Excavators)	1-800-892-0123
FAA Control and Communication Cables	FAA Sector Office	1-800-935-1900

**70-26 CONTRACTOR'S RESPONSIBILITY FOR SAFETY DURING CONSTRUCTION**

ADD the following after Item D.:

- E. Provide a safety officer/construction inspector trained in airport safety to monitor construction activities.
- F. Restrict movement of construction vehicles to construction areas with flagging and barricading, erecting temporary fencing, or providing escorts, as appropriate or as shown in plans.
- G. Ensure that no construction employees, employees of subcontractors or suppliers, or other persons enter any part of the aircraft operations area from construction site unless authorized.

## **SECTION 80 – PROSECUTION AND PROGRESS**

### **80-03 NOTICE TO PROCEED**

ADD:

The Notice to Proceed will not be given until all materials are certified by the Contractor to be available and on hand and meeting the Buy American requirements per the Contract Documents.

### **80-05 LIMITATION OF OPERATIONS**

ADD:

The Contractor shall not have access to any part of the active airfield (aprons, runways or taxiways) for any equipment or personnel without the prior approval of the Executive Director.

### **80-07 TEMPORARY SUSPENSION OF THE WORK**

REVISE the second paragraph to read:

In the event that the Contractor is ordered by the Engineer to suspend work for some unforeseen cause not otherwise provided for in the contract and over which the Contractor has no control, the Contractor may be reimbursed for actual money expended on the work during the period of shutdown. No allowance will be made for anticipated profits. The period of shutdown shall be computed from the effective date of the Engineer's order to suspend work to the effective date of the Engineer's order to resume the work. Claims for such compensation shall be filed with the Resident Engineer within the time period stated in the Engineer's order to resume work. The Contractor shall submit with his/her claim information substantiating the amount shown on the claim. The Resident Engineer will forward the Contractor's claim to the Division for their consideration in accordance with local laws or ordinances. No provision of this article shall be construed as entitling the Contractor to compensation for delays due to inclement weather, for suspension made at the request of the Engineer, or for any other delay provided for in the contract, plans, or specifications.

## **SECTION 90 – MEASUREMENT AND PAYMENT**

### **90-05 PAYMENT FOR EXTRA AND FORCE ACCOUNT WORK**

ADD the following to subsection B.7. Statements:

All statements of the cost of force account work shall be furnished to the Engineer not later than 60 days after completion of the force account work. If the statement is not received within the specified time frame, all demands for payment for the extra work are waived and the Division, Airport Owner and Local Sponsor are released from any and all such demands. It is the responsibility of the Contractor to ensure that all statements are received within the specified time regardless of the manner or method of delivery.

**DIVISION II – PAVING CONSTRUCTION DETAILS**

**ITEM 150510 – ENGINEER'S FIELD OFFICE**

**150-2.1**

REVISE:

Paragraph (G) to the following:

- (G) One (1) electric water cooler dispenser capable of dispensing cold and hot water and a supply of water bottles as needed.

Paragraph (I) to the following:

- (I) One (1) dry process copy machine (including maintenance and operating supplies) capable of both collating and reproducing prints up to a half size (11"X 17") and capable of copying field books.

ADD:

- (N) One first-aid cabinet fully equipped.
- (O) One (1) 800 Watt, 0.8 cubic foot microwave oven.
- (P) One (1) Coffee Maker
- (Q) Solid waste disposal consisting of two (2) 28-quart waste baskets and an outside trash container of sufficient size to accommodate a weekly provided pick-up service.
- (R) One (1) internet access account for use by the Engineer with a minimum advertised download speed of up to 768 Kbps and a minimum advertised upload speed of up to 384 Kbps. The type of internet access chosen by the Contractor shall allow for simultaneous use of the internet connection, landline telephone, and facsimile machine. Any required modems, broadband cards or other equipment needed for connecting a desktop or laptop computer to the type of internet connection selected by the Contractor shall also be provided by the Contractor.

**BASIS OF PAYMENT**

**150-3.1**

DELETE the second sentence of the second paragraph of this section.

Payment will be made under:

**ITEM AR150510      ENGINEER'S FIELD OFFICE – PER LUMP SUM.**

**ITEM 150520 – MOBILIZATION**

**BASIS OF PAYMENT**

**150-3.1**

ADD:

Payment will be made under:

**ITEM AR150520      MOBILIZATION – PER LUMP SUM.**

---

**ITEM 152000 – EXCAVATION AND EMBANKMENT**

**DESCRIPTION**

**152-1.1**

ADD:

This item shall consist of adjustment of filling or cutting of turf shoulders to the lines and grades as depicted in the plans. All topsoil or other fill materials used to adjust the shoulder shall be provided by the Contractor at no additional cost to the contract. The source of the fill materials shall be approved by the Engineer. All material brought to the site shall be documented as uncontaminated in accordance with the Clean Construction or Demolition Debris (CCDD) section below.

All excess material from all contract work shall be hauled offsite at no additional cost to the contract.

Compaction control tests shall be in accordance with ASTM D 1557 (Modified Proctor) for aircraft weights of 60,000 pounds or more.

**152-1.2 CLASSIFICATION**

DELETE the second, third and fourth paragraphs.

**152-1.3 CLEAN CONSTRUCTION OR DEMOLITION DEBRIS**

PROJECT CONDITIONS

- A. Prior to bidding, the bidder shall make a site visit to become familiar with the current conditions. He shall also determine the accessibility and assess safety measures that will be necessary to perform the contract work.
- B. Material Sampling and Analysis:
  - 1. The Contractor shall provide his own sampling and analysis in compliance with applicable laws, prior to offsite disposal of all materials and prior to offsite fill materials hauled to the Airport. These costs shall be borne by the Contractor at no additional expense to the Owner.

REGULATORY REQUIREMENTS

- A. The Contractor shall comply with all applicable local, state and federal laws and regulations with regard to material removal, handling and disposal, and shall pay all assessed costs and fees.
- B. The Contractor shall comply with the Illinois Environmental Protection Act, as amended by Public Act 096-1416 that was signed in to law on July 30, 2010, Public Act 097-0137 that was signed in to law on July 14, 2011, and all applicable amendments of the Illinois Environmental Protection Act.

## SUBMITTALS

- A. Contractor shall submit a Clean Construction or Demolition Debris (CCDD) & Soil Removal and Disposal Plan to the Engineer. Submit the following as a minimum:
1. A list of all construction or demolition debris anticipated to be generated requiring disposal.
  2. The anticipated quantity (both in tons and in cubic yards) of construction or demolition debris to be disposed of and identification of disposal facility including address and contact information.
  3. The anticipated quantity (both in tons and in cubic yards) of surplus soil to be disposed of, and identification of disposal facility including address and contact information.

CCDD testing shall be by the Contractor, as a minimum, the Contractor shall submit the following:

1. Proposed Testing Program to establish that the surplus soil and offsite fill materials hauled to the Airport are uncontaminated, for compliance with the requirements of the Illinois Environmental Protection Act. Include details of intended testing program, and rate of sampling (number of samples based on total quantity of surplus soil generated).
2. Credentials of the testing Lab that will perform the testing, and credentials of the Illinois Licensed Professional Engineer or Illinois Licensed Professional Geologist that will complete all required certification forms.
3. Results of the Proposed Testing Program.
4. If further CCDD testing is deemed necessary by the Contractor's chosen disposal facility, the Contractor shall complete this testing at no additional cost to the contract.

## GENERAL

- A. The following work shall be included:
1. Removal, handling and legal offsite disposal of all construction or demolition debris generated from all contract work, considering it to be clean construction or demolition debris (CCDD).
  2. Removal, handling and legal offsite disposal of surplus soil generated from all contract work, considering it to be uncontaminated.
  3. Debris and surplus soil disposal shall include any onsite drying of the material as required, so that the material will pass the paint-filter test as per Method 9095B in USEPA's publication SW 846, prior to transportation.
  4. Any costs and fees for legally-permitted-facilities accepting clean construction or demolition debris (CCDD), and/or uncontaminated surplus soil.
  5. Additional sampling and testing of surplus soil and offsite fill materials hauled to the Airport to establish that it is uncontaminated, and certification to that effect by an Illinois Licensed Professional Engineer or an Illinois Licensed Professional Geologist using Form LPC-663, both as required by law and as required by the site accepting the material.
  6. Any other applicable work, costs and fees as required by local, state and federal laws.



MATERIAL CHARACTERIZATION FOR OFFSITE DISPOSAL

- A. Costs for any and all testing, sampling, laboratory analysis or any other document that is required by the recipient of the material (disposal site) to establish that the material is uncontaminated, shall be borne by the Contractor at no additional expense to the Owner.

**CONSTRUCTION METHODS**

**152-2.10 TOPSOIL**

DELETE: The 5<sup>th</sup> paragraph of this section and REPLACE with:

Any excess excavation material shall be hauled offsite at no additional cost to the contract.

ADD:

Topsoil required for shoulder adjustment shall be provided by the Contractor at no additional cost to the contract.

**152-2.15 DUST CONTROL WATERING**

ADD:

This work shall consist exclusively of the control of dust resulting from construction operations and is not intended for use in the compaction of earth embankment.

Dust shall be controlled by the uniform application of sprinkled water and shall be applied as directed by the Resident Engineer, in a manner meeting his approval.

Dust control watering shall not be paid for separately, but shall be considered incidental to the contract.

**METHOD OF MEASUREMENT**

**152-3.2**

DELETE: This section.

**152-3.3**

DELETE: This section.

**BASIS OF PAYMENT**

**152-4.1**

DELETE: This section.

**152-4.2**

DELETE: This section.

**152-4.3**

DELETE: This section.

**152-4.4**

REPLACE: This section with the following:

Payment will be made at the contract unit price per square yard for "Shoulder Adjustment". This price shall be full compensation for furnishing offsite topsoil, offsite topsoil material testing/documentation as uncontaminated in accordance with CCDD, topsoil stripping, stockpiling and spreading, scarifying or diking existing shoulders excavation and for furnishing all materials, including any fill material required, labor, equipment, tools, and incidentals necessary to complete the item.

Clean Construction or Demolition Debris (CCDD) removal and disposal, topsoil placement, shoulder fill and embankment fill shall not be paid for separately, but shall be included in the unit bid price for "Shoulder Adjustment".

Payment will be made under:

**ITEM AR152480      SHOULDER ADJUSTMENT – PER SQUARE YARD.**

**ITEM 156000 – EROSION CONTROL**

**DESCRIPTION**

ADD:

Silt fence is included for stabilizing areas within the proposed limits of construction that are not able to be stabilized by other means. No adjustments in unit price shall be allowed for an increase or decrease in quantities.

**MATERIALS**

**156-2.4 TEMPORARY MULCH**

ADD:

Temporary mulch shall be light-duty hydraulic mulch.

**156-2.6 TEMPORARY DITCH CHECKS**

ADD:

At the Contractor's option, urethane foam/geotextile ditch checks meeting the requirements per Section 1081.15 (i) of the IDOT "Standard Specifications for Road and Bridge Construction", latest edition may be used.

**CONSTRUCTION METHODS**

**156-3.7 INLET PROTECTION**

ADD:

Inlet filter sediment traps shall be placed in all proposed and existing inlets and catch basins as shown on the plans or as directed by the Resident Engineer.

**156-3.8**

ADD:

In the event that temporary erosion and pollution control measures are ordered by the Engineer due to the Contractor's negligence or carelessness, the work shall be performed by the Contractor at no additional cost to the Owner.

**METHOD OF MEASUREMENT**

**156-4.2**

DELETE: This section.

**156-4.3**

REVISE: This section to read:

Temporary Mulching shall not be measured for payment, but shall be considered incidental to the contract.

**156-4.4**

DELETE: This section.

**BASIS OF PAYMENT**

**156-5.1**

REVISE: This section to read:

Payment will be made at the contract unit price per linear foot of Silt Fence and at the contract unit price per each for Inlet Protection. This price shall be full compensation for furnishing all materials for all preparation and installation of these materials, including excavation, placement, tie-down stakes, staples, maintenance and removal and for all labor, equipment, tools, and incidentals necessary to complete this item.

Temporary seeding, stabilized construction entrances, ditch checks and temporary mulching and any other erosion control measures required at the Contractor staging and storage areas shall not be measured for payment. They shall be considered incidental to the contract.

Payment will be made under:

<b>ITEM AR156510</b>	<b>SILT FENCE – PER LINEAR FOOT.</b>
<b>ITEM AR156520</b>	<b>INLET PROTECTION – PER EACH.</b>

**ITEM 201661 – CLEAN & SEAL BITUMINOUS CRACKS**

**DESCRIPTION**

**201-1.1**

ADD:

At the completion of milling operations, the pavement shall be swept clean and a survey of the pavement shall be completed by the Resident Engineer and the Contractor. Cracks less than 1" in width that are identified during the survey shall be cleaned and sealed in accordance with this item prior to placing tack coat and beginning paving operations. There is no guarantee, either expressed or implied, that the footage of cracks identified in the Plans will be cleaned and sealed as part of the work.

The cracks to be cleaned and sealed shall be designated by the Resident Engineer or as detailed on the plans.

**BASIS OF PAYMENT**

**201-6.1**

ADD:

Payment will be made under:

**ITEM AR201661      CLEAN & SEAL BITUMINOUS CRACKS – PER LINEAR FOOT.**

**ITEM 201663 – SAND MIX CRACK REPAIR**

**DESCRIPTION**

**201-1.1**

ADD:

At the completion of milling operations, the pavement shall be swept clean and a survey of the pavement shall be completed by the Resident Engineer and the Contractor. Cracks of 1" minimum width that are identified during the survey shall be cleaned and filled in accordance with this item prior to placing tack coat and beginning paving operations. There is no guarantee, either expressed or implied, that the footage of cracks identified in the Plans will be repaired as part of the work.

Cracks to be repaired with sand mix shall be as designated by the Resident Engineer or as detailed on the plans.

**BASIS OF PAYMENT**

**201-6.1**

ADD:

Payment will be made under:

**ITEM AR201663      SAND MIX CRACK REPAIR – PER LINEAR FOOT.**

**ITEM 401000 – BITUMINOUS SURFACE COURSE - SUPERPAVE (METHOD II)**

(Central Plant Hot Mix)

**DESCRIPTION**

**401-1.1**

ADD: The following after the third paragraph of this section:

This project shall utilize Method II for the production, placement and acceptance of the bituminous surface course.

**COMPOSITION**

**401-3.2 JOB MIX FORMULA**

ADD: The following after the third paragraph of this section:

Table 1 Superpave Design Criteria for Aircraft over 60,000 pounds (Runway or Taxiway) shall apply.

**401-3.4 TEST SECTION**

ADD:

Tonnage required for the test section shall be limited to one two-inch lift, approximately 600 feet in length (300 feet to line out the plant and paving operations and 300 feet for the test section) by 12.5' wide. The area for the test section shall be at a location determined by the Resident Engineer to a depth of no more than two inches and bituminous surface course placed. This process shall suitably simulate the expected paving operations. Mixture left over shall be disposed of off Airport property, with the residual weight weighed and a ticket provided to the Resident Engineer.

**CONSTRUCTION METHODS**

**401-4.12 JOINTS**

ADD: The following as the sixth paragraph of this section:

If at any time during the surface course paving operation, it becomes necessary to end a paving lane at a location other than the new finished pavement edge because of ending a day's paving, machinery breakdown, etc., the lane end will be sawed back a sufficient distance to provide a smooth, neat appearing joint from which to resume paving. The sawed face will be painted with a tack coat and this work shall be considered incidental to Item 401, Bituminous Surface Course, and no additional compensation will be allowed.

**401-4.14 SHAPING EDGES**

ADD: The following as the second paragraph for this section:

All pavement edges, including the pavement ends, must be left in proper alignment, as shown on the plans. This may be accomplished by a trimming method, or, at the Contractor's option, by sawing after the paving has been completed. No additional compensation will be made if the sawing method is used.

#### **401-4.15 ACCEPTANCE TESTING OF HMA MIXES FOR DENSITY**

DELETE: All references to Method I for quantities under 2,500 tons.

ADD:

##### **Leveling Thickness 1 ½" or Greater**

After the completion of compaction, the pavement will be tested and accepted on the basis of percent air voids in the final compacted mat. The Bituminous Surface Course shall be compacted to a minimum density of 93 percent (7 percent air voids) of the Maximum Theoretical Specific Gravity (ASTM D-2041). If, during construction, the density test falls below 93 percent, additional approved rollers shall be required.

Two random nuclear density tests shall be taken for each 500 tons of mix placed. Each nuclear density test shall be the average of five (5) nuclear tests taken as a cross-section of the pavement. One random mix sample shall be taken from each 1,000 tons of mix laid for Marshall, Extraction, Maximum Specific Gravity and Air Void tests. The Engineer shall have a nuclear gauge and qualified operator on the project when constructing this item.

##### **Leveling Thickness Less than 1 ½"**

After the completion of compaction, the pavement will be tested and accepted on the basis of percent air voids in the final compacted mat. The Bituminous Surface Course shall be compacted to a minimum density of 93 percent (7 percent air voids) of the Maximum Theoretical Specific Gravity (ASTM D-2041) or to the satisfaction of the Resident Engineer. If, during construction, the density test falls below 93 percent, additional approved rollers shall be required.

Two random nuclear density tests shall be taken for each 500 tons of mix placed. Each nuclear density test shall be the average of five (5) nuclear tests taken as a cross-section of the pavement. One random mix sample shall be taken from each 1,000 tons of mix laid for Marshall, Extraction, Maximum Specific Gravity and Air Void tests. The Engineer shall have a nuclear gauge and qualified operator on the project when constructing this item.

#### **BASIS OF PAYMENT**

##### **401-6.1**

Payment will be made under:

<b>ITEM AR401610</b>	<b>BITUMINOUS SURFACE COURSE – PER TON.</b>
<b>ITEM AR401620</b>	<b>BIT. SURFACE COURSE, LEVELING – PER TON.</b>
<b>ITEM AR401630</b>	<b>BITUMINOUS SURFACE TEST SECTION – PER EACH.</b>



## **ITEM 401640 – BITUMINOUS PAVEMENT GROOVING**

### **DESCRIPTION**

#### **401-1.1 GENERAL**

ADD:

Grooving shall be completed on Runway 6/24 within the limits of new paved surface.

### **CONSTRUCTION METHODS**

#### **401-3.1 CURE TIME**

REPLACE this section with the following:

The new bituminous surface shall have cured a minimum of 28 calendar days prior to initiation of grooving operations unless otherwise authorized by the Engineer.

#### **401-3.4 REMOVAL OF SLURRY**

ADD:

Permanent pavement marking operations shall commence as soon as practicable after pavement grooving and cleanup. The Contractor shall make a concerted effort to provide a cleaned surface capable of supporting permanent pavement markings in as timely a manner as possible. Delays in cleanup could cause the runway to remain closed after the appointed closure window and associated liquidated damages.

At the Contractor's option, slurry may be stored on site at a location within the Contractor staging and storage area. The Contractor shall be allowed to construct a temporary washout pit in accordance with standard practices. A washout pit shall be allowed to be constructed at each staging area. The Contractor shall be required to remove the slurry for proper final disposal off Airport property within two business days to prevent waterfowl from being attracted to the area. No additional compensation for the excavation and restoration of the washout pit(s) shall be allowed.

### **BASIS OF PAYMENT**

#### **401-5.1**

ADD:

Payment will be made under:

**ITEM AR401640 BITUMINOUS PAVEMENT GROOVING – PER SQUARE YARD.**

## **ITEM 401650 – BITUMINOUS PAVEMENT MILLING**

### **DESCRIPTION**

#### **401-1.1**

ADD:

The material removed shall be disposed of off airport property at no additional cost to the contract.

The Contractor shall set his milling depth appropriately to provide for no more than the proposed thickness of new bituminous surface course to be placed on the milled surface. Additional bituminous surface course required to fill improperly milled pavement shall not be paid for and the additional costs shall be borne by the Contractor. The milling depths are shown on the plans and vary approximately between 0 to 3.5-inches in depth. No extra compensation will be allowed for any variation in the pavement milling depths actually encountered.

### **CONSTRUCTION METHODS**

#### **401-3.1**

ADD:

The existing pavement areas to be milled shall be milled in such a manner as to prevent damage to the adjacent structures and pavement. All edges adjacent to existing pavements shall be saw-cut full depth of the removal depth prior to removal as directed by the Engineer.

At the completion of milling and prior to paving, the Contractor shall provide to the Resident Engineer a survey of the milled surface and the required fill depths to the proposed final top of pavement.

### **BASIS OF PAYMENT**

#### **401-5.1**

ADD:

Payment will be made under:

**ITEM AR401650      BITUMINOUS PAVEMENT MILLING – PER SQUARE YARD.**

**ITEM 401655 – BUTT JOINT CONSTRUCTION**

**DESCRIPTION**

**401-1.1**

ADD:

The material removed shall be disposed of off airport property at no additional cost to the contract.

The Contractor shall set his milling depth appropriately to provide for no more than the proposed thickness of new material to be placed on the milled surface. Additional bituminous surface course required to fill improperly milled pavement shall not be paid for and the additional costs shall be borne by the Contractor. The anticipated average depth of milling is from 0 to 2 inches in depth. No extra compensation will be allowed for any variations in the butt joint construction depths actually encountered.

**CONSTRUCTION METHODS**

**401-3.1**

ADD:

The existing pavement areas to be milled shall be done in such a manner as to prevent damage to the adjacent structures and pavement. All edges adjacent to existing pavements shall be saw-cut full depth of the removal depth prior to removal as directed by the Engineer.

At the completion of milling and prior to paving, the Contractor shall provide to the Resident Engineer a survey of the milled surface and the required fill depths to the proposed final top of pavement.

**BASIS OF PAYMENT**

**401-5.1**

ADD:

Payment will be made under:

**ITEM AR401655 BUTT JOINT CONSTRUCTION – PER SQUARE YARD.**

---

**ITEM 401915 AND ITEM 401916 – REMOVE AND REPLACE HMA PAVEMENT**

**DESCRIPTION**

**401915-1.1**

This item shall consist of bituminous pavement removal and replacement for patches as described in the plans. Pavement removal and replacement quantities are estimated. The Resident Engineer shall lay out pavement removal and replacement areas in the field during construction. No adjustment in unit price will be allowed for an increase or decrease in quantities. The pavement shall be compacted in accordance with these specifications and shall conform to the lines, grades, thicknesses and typical sections as shown on the plans or as directed by the Resident Engineer.

Each course shall be constructed to the depth, section or elevation required to match the existing pavement structure and shall be rolled, finished and approved prior to the placement of the next course.

**MATERIALS**

**401915-2.1 SAND MIX CRACK REPAIR**

The sand mix shall conform to the specifications of Section 201.

**401915-2.2 BITUMINOUS SURFACE COURSE**

The bituminous course shall conform to the specifications of Section 401.

**401915-2.4 BITUMINOUS PRIME COAT**

The bituminous tack coat shall conform to the specifications of Section 602.

**401915-2.5 BITUMINOUS TACK COAT**

The bituminous tack coat shall conform to the specifications of Section 603.

**CONSTRUCTION METHODS**

**401915-3.1**

The type of material to be removed along with approximate typical pavement section is shown on the plans and as follows:

TYPE A – Partial Depth – 2'-3' wide by 2" (minimum) depth bituminous pavement

TYPE B – Full Depth – 3'-4' wide (minimum) by 8"- 10" depth bituminous pavement

Pavement structure information was taken from airport records, data supplied by airport personnel and pavement cores. The Contractor shall verify the type and thickness of material to be removed. **No extra compensation will be allowed for any variations in the pavement sections actually encountered.**

**401915-3.2**

The proposed pavement replacement section shall be as specified herein. Tack coat shall be applied between each lift of asphalt and on all vertical faces of the patch area.

#### **401915-3.3**

The existing pavement areas to be removed shall be done in such a manner as to prevent damage to the adjacent pavements. All edges adjacent to existing pavements shall be saw-cut full depth prior to removal, as directed by the Resident Engineer.

Any damage to the pavement beyond the limits as shown on the plans or as directed by the Resident Engineer shall be removed and replaced by the Contractor at his expense. These areas shall be saw cut to a uniform width.

#### **401915-3.4**

Pavement replacement will be as detailed on the plans and constructed in accordance to the applicable Sections 401, 602 & 603. The various materials required for pavement replacement shall be in accordance with the applicable portions of the Standard Specifications and these Special Provisions. Any damage to pavement beyond the limits as shown on the plans **shall be removed and replaced by the Contractor at his expense. These areas shall be saw cut to a uniform width.**

#### **401915-3.5**

Pavement Removal and Replacement shall be the removal of the existing pavements as shown on the plans or as directed by the Resident Engineer and the replacement pavement shall match the existing pavement thickness. The replacement pavement shall consist of bituminous surface course conforming to the specifications of Section 401. The maximum lift thickness shall be 3". For full-depth patching, the existing aggregate base course shall be re-graded and compacted prior to the placement of the bituminous course. Cost of regrading and compacting to the existing base shall be incidental to the pavement removal and replacement.

#### **401915-3.6**

The existing pavement that is removed shall be disposed of off Airport property. No additional compensation will be made for hauling and disposal of any of the removed material.

#### **401915-3.7 ACCEPTANCE TESTING OF HMA MIXES FOR DENSITY.**

After the completion of compaction, the pavement will be tested for acceptance by the Resident Engineer and accepted on the basis of percent air voids in the final compacted mat. The HMA course shall be compacted to a minimum density of 93 percent (7 percent air voids) and a maximum of 99 percent (1 percent air voids) of the Maximum Theoretical Specific Gravity (ASTM D 2041). If, during construction, the density test falls below 93 percent, additional approved rollers shall be required. Failure to achieve density within these limits shall be cause for rejection of the material, as determined by the Division of Aeronautics.

One random nuclear density test shall be taken for each 250 tons of mix placed. Each nuclear density test shall be the average of five (5) nuclear tests taken as a cross-section of the pavement. The Resident Engineer shall have a nuclear gauge and qualified operator on the project when constructing this item for acceptance testing. The contractor shall have their own nuclear gauge and qualified operator onsite for quality control.

### **METHOD OF MEASUREMENT**

#### **401915-4.1**

The area of pavement removal and replacement shall be measured by the number of square yards, satisfactorily removed, replaced and disposed of as shown on the plans or as directed by the Resident Engineer.

**401915-4.2**

If additional pavement or subgrade material is removed due to negligence on the part of the Contractor, the additional quantity of pavement removal and replacement of subgrade material will not be measured for payment.

**401915-4.3**

The bituminous surface course, sand mix, and bituminous tack coat will not be measured separately for payment, but will be considered incidental to REMOVE & REPLACE BIT. PAVEMENT – TYPE A or B, per square yard.

**BASIS OF PAYMENT**

**401915-5.1**

Payment for REMOVE & REPLACE BITUMINOUS PAVEMENT shall be made at the contract unit price per square yard. This price shall include full compensation for sawing, removal, disposal, replacement of asphalt materials, compaction, sand mix, prime coat, tack coat, including furnishing all materials, labor, tools, testing, equipment and incidentals necessary to complete this item of work. For the purposes of payment, Type A pavement shall be partial depth (2" depth minimum). Type B pavement shall be full depth (8" – 10" depth).

Any grading and recompacting of existing granular base course to proper grade shall not be paid for separately but shall be considered incidental to Remove & Replace Bituminous Pavement.

Payment will be made under:

<b>ITEM AR401915</b>	<b>REM &amp; REP BIT PAVEMENT – TYPE A – PER SQUARE YARD.</b>
<b>ITEM AR401916</b>	<b>REM &amp; REP BIT PAVEMENT – TYPE B – PER SQUARE YARD.</b>

**ITEM 603000 – BITUMINOUS TACK COAT**

**MATERIALS**

**603-2.1 BITUMINOUS MATERIAL**

ADD:

At the Contractor's option, Penetrating Emulsified Prime (PEP) may be used. The use of PEP shall be as outlined in the Standard Specifications for Road and Bridge Construction, Article 403.02.

**CONSTRUCTION METHODS**

**603-3.3 APPLICATION OF BITUMINOUS MATERIAL**

ADD: The following to the second paragraph:

Areas worn from hauling operations shall be re-tacked at no additional cost to the Contract.

**BASIS OF PAYMENT**

**603-5.1**

ADD:

Payment will be made under:

**ITEM AR603510 BITUMINOUS TACK COAT – PER GALLON.**

## **ITEM 620000 – PAVEMENT MARKING**

### **DESCRIPTION**

#### **620-1.1**

ADD:

Temporary markings shall be placed in the areas worked prior to reopening the runway. At a minimum, temporary markings shall be placed to replace runway centerline stripes, runway demarcation bar, runway designation markings, runway threshold markings, runway edge stripes, touchdown zone markings, aiming points and taxiway lead-in lines. Temporary markings shall require only one coat of paint with reflective media.

Permanent markings shall not be placed on Runway 6/24 until after grooving operations are complete and the surface is clean and dry.

Black border shall be required for all runway holding position markings and for any markings placed on existing PCC or HMA pavements. Black border is not required for markings placed on new HMA pavements except as detailed above. Temporary markings shall not require black border.

### **MATERIALS**

#### **620-2.2 PAINT**

ADD:

All paint shall be waterborne.

The paint shall contain no lead, chromium, cadmium or barium.

### **CONSTRUCTION METHODS**

#### **620-3.3 PREPARATION OF SURFACE**

ADD:

Existing marking that is to be re-painted shall be cleaned using sand blasting or high pressure water or other methods as approved by the Engineer to remove dirt, grease, laitance, loose or flaking paint and any paint that is not bonding, at no additional cost to the contract.

#### **620-3.9 CLEAN UP**

ADD:

The Contractor shall remove from the work area all debris, waste, loose or un-adhered reflective media, and by-products generated by the surface preparation and application operations to the satisfaction of the Resident Engineer. The Contractor shall dispose of these wastes in strict compliance with all applicable state, local and federal environmental statutes and regulations.



**METHOD OF MEASUREMENT**

**620-4.1**

ADD:

The quantity of permanent markings to be paid for shall be the number of square feet of painting with the specified material **measured only once to apply two coats** in conformance with the specifications and accepted by the Engineer. Quantities will not be distinguished between different colors of paint. Only the top coat of paint shall require reflective media.

**BASIS OF PAYMENT**

ADD:

Payment will be made under:

<b>ITEM AR620520</b>	<b>PAVEMENT MARKING–WATERBORNE – PER SQUARE FOOT.</b>
<b>ITEM AR620900</b>	<b>PAVEMENT MARKING REMOVAL – PER SQUARE FOOT.</b>

---

**DIVISION IV – DRAINAGE**

**ITEM 701000 – PIPE FOR STORM SEWERS AND CULVERTS**

**MATERIALS**

**701-2.1 GENERAL**

DELETE: Entire Section.

ADD:

Pipe shall be of the type and diameter indicated and installed at the locations shown on the plans. Pipe for storm sewers shall be concrete storm sewer pipe Class IV reinforced concrete conforming to ASTM C-76 (with joints meeting ASTM C-361) as called out in the plans.

**CONSTRUCTION METHODS**

**701-3.3 LAYING AND INSTALLING PIPE**

ADD:

When sewer installation requires tapping into an existing manhole, the hole shall be cored to allow for appropriate pipe sizing. The work shall be considered incidental to the installation of the pipe.

**BASIS OF PAYMENT**

**701-5.1**

ADD:

Payment will be made under:

<b>ITEM AR701512</b>	<b>12” RCP, CLASS II – PER LINEAR FOOT.</b>
<b>ITEM AR701518</b>	<b>18” RCP, CLASS II – PER LINEAR FOOT.</b>
<b>ITEM AR701524</b>	<b>24” RCP, CLASS II – PER LINEAR FOOT.</b>
<b>ITEM AR701900</b>	<b>REMOVE PIPE – PER LINEAR FOOT.</b>

---

**ITEM 705000 – PIPE UNDERDRAINS FOR AIRPORTS**

**DESCRIPTION**

**705-1.1**

ADD:

Specifically, this item consists of the adjustment of underdrain collection structures as shown on the plans or as directed by the Engineer.

**CONSTRUCTION METHODS**

**705-3.10 ADJUST COLLECTION STRUCTURE**

ADD:

All adjustments are to be made with precast concrete rings. All adjusting rings must be mortared together and must be mortared to the casting, as well as to the cone section or flat top of the structure. The maximum height of adjusting rings shall be eight (8) inches including existing rings for any inlet or manhole adjustment. The maximum number of rings in any structure is three. This may require the Contractor to remove existing rings and replace with larger rings.

At the Contractor's option and at no additional cost to the contract, cast or ductile iron adjusting or extension rings (Neenah R-1979 Series, East Jordan Iron Works 28700 Series, or approved equal) may be used for adjustments. No more than one adjusting or extension ring shall be allowed to be used. If an existing extension ring is already in place, it shall be removed and replaced with an appropriately sized ring.

The Contractor shall be responsible for field checking existing storm sewer, underdrain, sanitary sewer, and electrical manhole configurations for the necessary adjustments.

**METHOD OF MEASUREMENT**

**705-4.1**

ADD:

The number of collection structure adjustments shall be measured by the unit.

**BASIS OF PAYMENT**

**705-5.1**

ADD:

Payment will be made under:

**ITEM AR705945      ADJUST COLLECTION STRUCTURE – PER EACH.**

---

**ITEM 751000 – MANHOLES, CATCH BASINS, INLETS & INSPECTION HOLES**

**DESCRIPTION**

**751-1.1**

ADD:

Specifically, this item consists of the construction of inlets and manholes as shown on the plans or as directed by the Engineer.

Type A manholes with six (6) foot diameters shall conform to IDOT Standard 602406-06.

Type 1 frames and grates (open and closed lids) shall conform to IDOT Standard 604001-03.

**CONSTRUCTION METHODS**

**751-3.1 EXCAVATION**

ADD:

(f) DEWATERING – The Contractor shall, at all times, provide and maintain in operation pumping and/or well point equipment for the complete dewatering of the excavation. No structure shall be permitted to be constructed in an excavated area in which any amount of water flows or is pooled.

**751-3.11 INLET/MANHOLE REMOVAL**

This work shall consist of the removal of existing concrete drainage inlets and manholes of various types and sizes. Trenches resulting from the inlet and manhole removal shall be backfilled and compacted in accordance with Section 152 Excavation and Embankment for areas in proposed turf or backfilled and compacted in accordance with Section 701-3.5 for areas under proposed pavements. Manholes and inlets shall be disposed of by the Contractor off Airport property.

**BASIS OF PAYMENT**

**751-5.1**

ADD:

Payment will be made under:

<b>ITEM AR751560</b>	<b>MANHOLE 6' – PER EACH.</b>
<b>ITEM AR751903</b>	<b>REMOVE MANHOLE – PER EACH.</b>
<b>ITEM AR751927</b>	<b>REPLACE FRAME &amp; GRATE – PER EACH.</b>

---

**DIVISION V – TURFING**

**ITEM 901000 – SEEDING**

**DESCRIPTION**

**901-1.1**

ADD:

Restoration, seeding and mulching beyond the limits of seeding and mulching shown in the plans (such as lighting, cabling, signage, access roads, haul roads, staging area, storage area) shall be considered incidental to the contract.

**MATERIALS**

**901-2.2 LIME**

DELETE: Entire Section.

ADD:

The Contractor has the option to perform a soil test, at their expense, for the on-site or plan specified topsoil sources. If the Contractor proposes an application of lime, the proposal shall be approved by the Engineer. Lime, if used, shall be at no additional costs to the contract.

**901-2.3 FERTILIZER**

DELETE: The last paragraph and the fertilizer rate table.

ADD:

Fertilizer shall be applied at rates that supply the following amounts of nutrients per acre to the disturbed areas of seeding:

<u>NUTRIENTS</u>	<u>POUNDS PER ACRE</u>
Nitrogen Fertilizer Nutrients	90
Phosphorus Fertilizer Nutrients	90
Potassium Fertilizer Nutrients	<u>90</u>
TOTAL	270

The Contractor has the option to perform a soil test, at their expense, to validate that the fertilizer rate specified is suitable for the on-site or plan specified topsoil sources. If the Contractor proposes an alternate mix ratio and weights, the proposal shall be approved by the Engineer. Alternate mix ratio and/or weights shall be at no additional costs to the contract.

**CONSTRUCTION METHODS**

**901-3.2 DRY APPLICATION METHOD**

DELETE: Paragraph C. Seeding

ADD:

Grass seed shall be sown at the rate shown in 901-2.1 with a machine that is capable of cutting a slit in the soil free from leaves and debris, placing the seed in the slit and compacting the seed into the soil of the slit in one continuous operation.

The site will be to grade and shaped to the elevations as shown on the plans. The topsoil will be free of clods, stones, roots, sticks, rivulets, gullies, crusting, caking and have a soil particle size of no larger than 1". Seedbed preparation methods shall be approved by the Engineer. Cultivation shall be accomplished at such a time that seeding may occur immediately and without delay. No seeds shall be sown until the Seedbed has been approved by the Engineer.

No seed shall be sown during high winds or when the ground is not in a proper condition for seeding, nor shall any seed be sown until the purity test has been completed for the seeds to be used, and shows that the seed meets the noxious weed seed requirements. All equipment shall be approved by the Engineer prior to being used. Prior to starting work, seeders shall be calibrated and adjusted to sow seeds at the required seeding rate. Equipment shall be operated in a manner to ensure complete coverage of the entire area to be seeded. The Engineer shall be notified forty-eight (48) hours prior to beginning the seeding operations.

### **901-3.3 WET APPLICATION METHOD**

DELETE: Entire Section.

### **BASIS OF PAYMENT**

#### **901-5.1**

ADD:

Payment will be made under:

**ITEM AR901510 SEEDING – PER ACRE.**

**ITEM 908000 – MULCHING**

**908-1.1**

ADD:

Restoration, seeding and mulching beyond the limits of seeding and mulching shown in the plans (such as lighting, cabling, signage, access roads, haul roads, staging area, storage area) shall be considered incidental to the contract.

Chemical mulch binder shall only be required at locations within 10' of proposed or existing pavement or as shown on the plans.

**MATERIALS**

**908-2.1 MULCH MATERIAL**

REVISE: First sentence to read:

Material used for mulching shall be (D) Hydraulic Mulch – Heavy Duty.

Chemical Mulch Binder meeting the requirements per Section 1081.06 (a) (3) of the IDOT "Standard Specifications for Road and Bridge Construction", latest edition shall be used as a mulch stabilizer.

**CONSTRUCTION**

**908-3.1 MULCHING**

ADD:

Chemical mulch binder shall be mixed and applied per the manufacturer's recommendations.

**BASIS OF PAYMENT**

**908-5.1**

ADD:

Chemical mulch binder shall not be paid for separately but shall be included in the unit bid price for mulching.

Payment will be made under:

**ITEM AR908515      HEAVY DUTY HYDRAULIC MULCH – PER ACRE.**

---

## **DIVISION VI - LIGHTING INSTALLATION**

### **ITEM 108000 – INSTALLATION OF UNDERGROUND CABLE FOR AIRPORTS**

#### **DESCRIPTION**

##### **108-1.1**

DELETE: The 3<sup>rd</sup> sentence of the first paragraph.

ADD:

This item of work shall consist of the underground installation of 5000V cables in PVC conduit, GRS conduit or duct bank at the locations shown on the plans and in accordance with these specifications. When crossing existing utilities or as required by the Engineer, the Contractor shall hand dig the trenches for the proposed cables.

Contractor shall color code all airfield lighting cables in ducts, manholes and handholes as directed by the Engineer. All costs of color-coding shall be considered incidental to the contract unit price for the associated item.

#### **EQUIPMENT AND MATERIALS**

##### **108-2.1 GENERAL**

ADD:

Airfield Lighting cable under this item shall be:

- L-824, 1/C #8, 5,000 V, Type C, in duct bank, unit duct, and conduit
- 2-#4 XLP-USE, 1-#10 GND IN 1-1/4" unit duct

##### **108-2.4 CABLE CONNECTIONS**

DELETE: The first and second sentence of paragraph **D. The Taped or Heat-Shrunked Splice**.

ADD:

To further reduce the possibility of water (moisture) entrance into the connector between the cable and the field attached connector, heat shrinkable tubing with interior adhesive shall be applied over all cable connections.

The heat shrinkable tubing shall cover the entire L-823 connector. All connections shall be at manholes or light bases. No direct burial splicing will be allowed.

No splices will be allowed in the new cable unless at the end of a spool of cable. Splices due to termination points shall be done in splice cans, manholes, handholes and light cans. Any repairs necessary to cable damaged during installation shall be done at the Contractor's expense and shall consist of replacing the entire length of damaged cable between pull points.



In line connections for existing cables to be spliced or those which are cut during construction shall be repaired with the cast splice kit. The Contractor shall have a minimum of five (5) splice kits on the jobsite at all times for emergency repairs. Splice markers shall be installed over each splice in cables not to be abandoned. Cast splice kits shall be as specified in paragraph (a). All field splices shall be covered with a flexible polyolefin heat-shrinkable sleeve.

## **CONSTRUCTION METHODS**

### **108-3.1 GENERAL**

ADD:

Any damages to existing utilities as a result of the Contractor's operations shall be repaired immediately at his expense.

### **108-3.2 INSTALLATION IN DUCT OR CONDUIT**

ADD:

The Contractor shall coordinate the cable trenching, placement and backfilling operations so that the cable will not be damaged by (a) the use of mechanized road building equipment in the area where underground cable is or will be in existence, and (b) stone or other foreign materials falling into the trench or mixing into the trench backfill materials.

### **108-3.3 TRENCHING**

REVISE 24" to 30" in the last sentence of the second paragraph.

ADD:

The installation of PVC conduit using the plowing in method shall not be acceptable.

### **108-3.5 SPLICING**

DELETE: The first and second paragraph of Section **D. Taped or Heat-Shrunked Splices**.

ADD:

Contractor shall use cast splicing kits as described in Article 108-2.4 for any splices made inside the electric handholes and manholes. The cast splicing kit shall be series 82-B1 Scotch cast or 90-B1 Scotch cast as manufactured by 3M or equal. Contractor shall provide shop drawing for splicing method and cast splicing kit. Contractor shall also leave minimum 30" of slack on each side of the cable being spliced.

Splicing of FAA cables shall be tested and approved by FAA.

Contractor may elect to install FAA approved "Complete Kit" or "Super Kit" with sealant and rubber boot in lieu of heat shrink connectors at no additional cost to the contract.

**108-3.10 LOCATING OF EXISTING CABLES**

ADD:

Contact Personnel are listed in Section 70-17 herein.

**108-3.11 TERMINATIONS AND CONNECTIONS**

REVISE: In paragraph 3, the number of splice kits required on site from two (2) to five (5).

ADD:

If, due to the length of spool ordered by the Contractor, it is necessary to install additional handholes, the Contractor shall supply same at no additional cost to the project. The handhole shall be the size as directed by the Engineer.

**METHOD OF MEASUREMENT**

**108-4.1**

DELETE: This Section.

**108-4.2**

REVISE: This Section to read as follows.

The length of 1/C #8 5KV UG CABLE IN UD and 2-#4 XLP-USE, 1-#10 GND. IN 1-1/4" UNIT DUCT installed shall be the number of lineal feet measured in place, completed and ready for operation, and accepted as satisfactory, and no extra quantity will be allotted for any vertical distances or the required cable slack, as stated under Item 108-3.3, in the Standard Specifications.

The cost of routing the cable through duct, splicing, marking, trenching, backfilling, and all connections shall be included in the unit price bid for the cable.

The cost of removing cable as called out in the plans to make way for new cable shall not be measured separately for payment, but shall be considered incidental to the unit bid price for the cable.

**BASIS OF PAYMENT**

**108-5.1**

REVISE: This Section to read as follows:

The cables measured under Item 108-4.2 shall be paid for under this item. These prices shall be full compensation for furnishing all materials and for all preparation and installation of these materials, trenching, backfilling and compacting trenches, all connections, line marking tape and installation, and

for all labor, equipment, tools and incidentals necessary to complete these items. The line marking tape installed shall be considered incidental to the work and shall not be paid for separately.

Topsoil and seeding of the trench shall not be paid for separately but shall be considered incidental to the associated pay item.

Payment will be made under:

<b>ITEM AR108158</b>	<b>1/C #8 5KV UG CABLE IN UD – PER LINEAR FOOT.</b>
<b>ITEM AR800864</b>	<b>2-#4 XLP-USE, 1-#10 GND IN 1-1/4” UNIT DUCT – PER LINEAR FOOT.</b>

---

**ITEM 110000 – INSTALLATION OF AIRPORT UNDERGROUND ELECTRICAL DUCT**

**DESCRIPTION**

**110-1.1**

ADD:

This item shall consist of the construction of new GRS conduit jacked and electrical handholes, including appropriate duct markers at the locations shown in the plans or as directed by the Engineer.

Contractor shall provide pull wire for each conduit and cap the unused conduits for future use.

**EQUIPMENT AND MATERIALS**

**110-2.9 DUCT MARKER**

ADD:

The Contractor shall provide duct markers for each new or existing duct being used as detailed in the plans. The cost of installation of the duct markers shall be incidental to the contract.

Brass duct markers shall only be used at bituminous pavement locations as shown on the plans. At concrete pavement locations, the Contractor shall stamp the concrete as directed by the Engineer.

Contractor shall provide duct markers for each proposed concrete encased duct or existing duct being used as detailed in the plans. The cost of replacement and installation of the duct markers shall be incidental to the contract.

**110-2.10 ELECTRICAL HANDHOLES**

ADD:

The Contractor shall install handholes at locations specified and as detailed in the plans. Electrical handholes shall comply with requirements as detailed in the plans and of Item 751 of the specifications. Electrical handholes shall meet the requirements of IDOT Highway Standard 814001-03, Portland Cement Concrete. Frame and Lid shall be Neenah Catalog No. R-6662-EH or Equal.

**METHOD OF MEASUREMENT**

**110-4.1**

DELETE: This Section.

ADD:

The quantity of 4" directional bore conduit to be paid for shall be the number of lineal feet installed, measured in place, completed, and accepted. No separate measurement will be made for individual ducts in a multi-way duct system. The cost of trench excavation and backfill shall not be measured separately for payment, but shall be considered incidental to the respective pay item associated with

the work. The cost of connecting new conduit to existing manholes, splice cans and light and sign bases shall not be measure separately for payment but shall be considered incidental to the conduit installation.

**110-4.2**

DELETE: This Section.

ADD:

The quantity of electrical handholes to be paid for shall be the number of each installed in place and/or removed, completed and accepted by the Engineer.

**BASIS OF PAYMENT**

**110-5.1**

DELETE: Entire Section.

ADD:

Payment for 4" Directional Bore will be made at the contract unit price per lineal foot for each type and size of GRS conduit completed and accepted. These prices shall be full compensation for furnishing all materials and for all preparation, assembly, aggregate backfill, backfill, compaction, sawcutting and installation of these materials, and for all labor, equipment, tools, and incidentals necessary to complete these items.

Payment will be made at the contract unit price per each electrical handhole completed and accepted. These prices shall be full compensation for furnishing all materials and for all preparation, assembly, aggregate backfill, backfill, compaction, sawcutting and installation of these materials, and for all labor, equipment, tools, and incidentals necessary to complete these items.

Connecting new conduit to existing manholes, handholes, splice cans, and light and sign bases shall not be paid for separately but shall be considered incidental to the associated duct or conduit.

Installation of duct markers shall not be paid for but shall be considered incidental to the contract.

Topsoiling and seeding of the duct, conduit trench and handholes shall not be paid for separately but shall be considered incidental to the associated duct.

Payment will be made under:

**ITEM AR110014      4" DIRECTIONAL BORE – PER LINEAL FOOT.  
ITEM AR110610      ELECTRICAL HANDHOLE – PER EACH.**

---

**ITEM 125000 – INSTALLATION OF AIRPORT LIGHTING SYSTEMS**

**DESCRIPTION**

**125-1.1**

ADD:

Airfield lighting improvements and modifications shall include:

- New stake mounted medium intensity runway lights (LED)
- New base mounted medium intensity runway lights (LED)
- New base mounted medium intensity threshold lights (LED)
- New runway end identifier lights (LED)
- New splice can
- Removal of existing stake mounted lights
- Removal of existing base mounted lights
- Removal of existing airfield signs
- Removal of runway end identifier lights
- New airfield signs (LED)
- Adjustment of existing base mounted lights
- Adjustment of existing stake mounted lights
- Adjustment of existing splice cans
- Refurbish existing base mounted medium intensity threshold lights (provide new light fixture - LED and transformer)

**125-1.6 INSPECTION, TEST AND WARRANTY**

ADD:

**VISUAL EXAMINATION**

The most important of all inspection and test procedures is thorough visual inspections. Visual inspections shall be made frequently during installation, at completion of installation, and before energizing the circuits. A careful visual inspection can reveal defects that can be corrected prior to acceptance tests and energization. Serious damage may occur if defects are subjected to electrical tests or energization. Visual inspections shall include appraisal of:

- (a) Correctness of external connections.
- (b) Good work performance.
- (c) Cleanliness.
- (d) Safety hazards.
- (e) Specific requirements listed herein for individual items. While all equipment manufactured under specifications pass strict factory tests prior to shipment, it shall be inspected for shipping damage immediately upon receipt.

### **ELECTRICAL TESTS ON SERIES LIGHTING CIRCUITS**

Before modifying any series circuit, verify the performance of the existing circuit by checking the supply voltage to the regulator and measuring the output current from the regulator on all brightness steps under existing load.

- (a) For home run segments that will not be replaced, disconnect at S-1 cutout and at first fixture and verify cable continuity.
- (b) Check cable connections and perform electrical tests on cable as specified in Section 108.

### **LIGHTING FIXTURES**

An inspection shall be made to determine that the color, quantity, and locations of lights are in accordance with the installation drawings. Each light shall be inspected to determine that it is operable, glass is not broken or cracked, correct lamps are installed, and it has been properly leveled and aimed, in accordance with technical orders and manufacturer's instructions, where applicable.

### **CONSTANT CURRENT REGULATORS**

The supply voltage and input and output current shall be checked at the regulator to see that they operate properly and that regulators are not overloaded due to shorts to ground or excessive leakage.

- (a) Visual Examination. Each constant current regulator shall be visually examined to insure that porcelain bushings are not cracked, no shipping damage has occurred, internal and external connections are correct, switches and relays operate freely and are not tied or blocked, fuses (if required) are correct, and that the oil level of oil-filled regulators is correct. Relay panel covers only shall be removed for this examination; it is not necessary to open the main tank of oil-filled regulators. The instructions on the plates attached to the regulator shall be accomplished. After examination and tests are completed, replace all covers tightly.
- (b) Electric Tests. The supply voltage and input tap shall be checked to see that they correspond. With the load disconnected, the regulator shall be energized and the open circuit protector observed to see that it de-energizes the regulator within 2 or 3 seconds.

### **FINAL ACCEPTANCE TESTS**

After components and circuits have been inspected, as specified in the preceding paragraphs, the entire system shall be inspected and tested as follows:

- (a) Operate each switch for the modified lighting circuits from the remote control position (ATCT) so that each switch position is reached at least twice. During this process, all lights and vault equipment shall be observed to determine that each switch properly controls the corresponding circuit.
- (b) Repeat the above test using the local control switches on the regulators.
- (c) Each lighting circuit shall be tested by operating it continuously at maximum brightness for at least 6 hours. Visual inspection shall be made at the beginning and end of this test to determine that the correct numbers of lights are operating at full brightness. Dimming of some or all of the lights in a circuit is an indication of grounded cables.
- (d) In addition to the above, all equipment shall be subjected to any and all performance tests specified in the manufacturer's instructions.

- (e) Photometric testing. The Airport may, upon completion of the lighting installation and as part of acceptance testing, perform field photometric testing of each new light fixture to assure the installed runway lights meet the photometric requirements specified by FAA. The test results will be recorded and furnished to the Contractor, with any noted deficiencies. The Contractor is responsible for correcting any deficiencies at no additional cost to the Owner. The Contractor shall furnish spares in support of this testing, to include 15% lamps and 5% lenses for the new in-pavement lights. Spares not used shall be provided to the Airport upon completion of the work.
- (f) Perform grounding resistance test for each ground rod to achieve 25 ohms(max) resistance requirements.

#### **125-1.7 GUARANTEE**

All equipment furnished and work performed under the Contract Documents shall be guaranteed against defects in materials or workmanship for a period of one (1) year from the date of final acceptance. This guarantee does not replace any responsibility for errors or omissions as set forth in state law. Any long-term warranties issued or offered by manufacturers for items of equipment shall be turned over to the Airport.

#### **125-1.8**

Any failure of equipment or work due to defects in materials or workmanship shall be corrected by the Contractor at no cost to the Airport.

#### **125-1.9**

The Contractor shall ascertain that all lighting system components furnished by him (including FAA approved equipment) are compatible in all respects with each other and the remainder of the new/existing system. Any incompatible components furnished by the Contractor shall be replaced by him at no additional cost to the Airport with a similar unit approved by the Project Engineer (different model or manufacturer) that is compatible with the remainder of the airport lighting system.

#### **125-1.10**

The Contractor-installed equipment (including FAA approved) shall not generate any electromagnetic interference in the existing and/or new communications, weather and air traffic control equipment. Any equipment generating such interferences shall be replaced by the Contractor at no additional cost with the equipment meeting applicable specifications and not generating any interference.

### **EQUIPMENT AND MATERIALS**

#### **125-2.1 GENERAL**

ADD:

All new equipment shall be listed in Advisory Circular 150/5345-53 (Latest Edition) – Airport Lighting Equipment Certification Program.

Before any electrical materials are ordered, the Contractor shall furnish the Engineer a list of the materials and equipment to be incorporated in the work. This list shall include the name of each item,



the Federal Aviation Administration specification number, the manufacturer's name, the manufacturer's catalog number, and the size, type and/or rating of each item, catalog cuts, test data, fuse curves, outline drawings, nameplate drawings, wiring diagrams, and schematic diagrams.

After the list has been approved by the Engineer and prior to installation, the Contractor shall assemble the equipment and materials at a single location, on-site, and request inspection by the Engineer. None of the equipment or materials, other than duct or conduit, may be used on the job until such as inspection has been completed.

All test results from required tests shall be submitted to the Engineer for review and approval.

Airport lighting equipment and materials covered by FAA specifications shall have prior approval of the Federal Aviation Administration, Airport Service, Washington, DC 20591, and shall be listed in the current edition of FAA Advisory Circular AC 150/5345-53, Airport Lighting Equipment Certification Program. All other equipment and materials covered by other referenced specifications shall be subject to acceptance through manufacturer's certification of compliance with the applicable specification, when required by the Engineer.

The following documents, of the issue in effect on the date of application for qualification, are applicable to the extent specified:

<u>Item</u>	<u>Specification</u>	<u>Advisory Circular</u>
Lights, Runway Edge, Elevated	L-862	AC 150/5345-46D
Transformers, Isolation, 60 Hz	L-830	AC 150/5345-47C
Light base, load bearing	L-868	AC 150/5345-42G
Light base, non-load bearing	L-867	AC 150/5345-42G
Signs	L-858	AC 150/5345-44J
REIL	L-849	AC 150/5345-51B

All FAA Advisory Circular referenced in this specification refer to the most recent edition in circulation.

### **125-2.7 ISOLATION TRANSFORMERS**

ADD:

New transformers shall be L-830, 6.6A Pri./6.6A Sec. of the wattage recommended by the manufacturer. The number of transformers per light shall also be as recommended by the manufacturer.

### **125-2.8 LIGHT CANS**

ADD:

3/4" thick blank cover plates shall be provided as required.

### **125-2.11 AIRFIELD SIGNS**

ADD:

Taxi holding position signs and taxi guidance signs shall all be LED and conform to the type, class, style, nomenclature and dimensions shown in the plans. All signs shall be in compliance with FAA Engineering Brief No. 67D.

Signs connected to Runway 6/24 edge light circuits shall be Style 2 (3-Step).

For the purposes of this specification, a character shall be defined as a letter, numeral, dot, dash or arrow to be indicated on the sign nomenclature. Sign components and lengths shall be as recommended by the manufacturer.

#### **125-2.14 SPLICE CAN**

Splice can shall be L-868, Class 1, Size B base can, encased in concrete with  $\frac{3}{4}$ " thick solid lid as shown on plans. The can shall be installed as shown on the plans.

#### **125-2.15 REFURBISH BASE MOUNTED LIGHT**

Only the light fixture and transformer shall be replaced for refurbished base mounted lights located on Runway 24 end threshold. The new light shall be LED.

#### **125-2.16 LIGHT REMOVAL**

Existing light bases shall be completely removed and disposed of by the Contractor off Airport property. The excavations shall be backfilled compacted per the requirements of section 208. The cable associated with light removal shall be removed from the conduit/unit duct and the conduit/unit duct shall be abandoned in place.

Any salvageable materials shall be saved and remain the property of the Airport. The material shall be delivered to the Airport Maintenance Facility. At the discretion of the Airport Manager, the contractor may be required to dispose of these materials off of airport property, at no additional cost to the contract.

### **CONSTRUCTION METHODS**

#### **125-3.1 GENERAL**

ADD:

The Contractor shall exercise caution in the installation and removal of all light units. Any units damaged by the Contractor's operations shall be repaired or replaced to the satisfaction of the Engineer at no additional cost to the contract.

#### **125-3.4 PHASING AND INTERRUPTIONS**

ADD:

All existing electrical equipment and lighting systems not included in the phase of work being performed must be kept in operation, unless prior approval of the Owner has been received and as otherwise specified below and on the Drawings. The Contractor may use salvaged materials for temporary construction where required. The permission for temporary work and using salvaged materials shall be obtained from the Owner. Lighting for active runway and taxiway surfaces shall be maintained. Work shall be coordinated with paving operations.

Refer to the special provision of the specification for notification requirements and other information regarding work interruptions due to airport operational requirements or Contractor anticipation for exceeding the limitations described in the above paragraph.

---

**METHOD OF MEASUREMENT**

**125-4.1**

DELETE: Entire section.

ADD:

The quantities to be paid for under this item shall consist of:

- (a) The number of stake mounted lights (MIRL) installed including grounding and all new equipment installed in place as complete units, ready for operation and accepted by the Engineer. The removal of the existing stake mounted lights shall be paid for separately as stake mounted light removal.
- (b) The number of base mounted lights (MIRL) installed including grounding and all new equipment installed in place as complete units, ready for operation and accepted by the Engineer. The removal of the existing base mounted lights shall be paid for separately as base mounted light removal.
- (c) The number of base mounted threshold lights (MITHL) installed including grounding and all new equipment installed in place as complete units, ready for operation and accepted by the Engineer. The removal of the existing threshold lights shall be paid for separately as base mounted light removal.
- (d) The number of Runway End Identifier Lights (REIL) installed including grounding and all new equipment installed in place as complete units, ready for operation and accepted by the Engineer. The removal of the existing REIL and existing REIL electric cables shall be paid for separately as remove REILs.
- (e) The number of refurbished base mounted threshold lights (MITHL) installed including light fixtures and transformers only (not including bases and ground rods) installed in place as complete units, ready for operation and accepted by the Engineer.
- (f) The number of splice cans installed and accepted by the Engineer. The cost of installation of the ground wire and ground rod for each splice can shall be incidental to the associated pay item.
- (g) The number of new lighted taxi guidance signs installed and accepted by the Engineer. The cost of installation of the ground wire and ground rod for each sign shall be incidental to the associated pay item.
- (h) The number of existing taxi guidance signs and foundation pads completely removed and accepted by the Engineer.
- (i) The number of stake mounted lights completely adjusted and accepted by the Engineer.
- (j) The number of base mounted lights completely adjusted and accepted by the Engineer.
- (k) The number of splice cans completely adjusted and accepted by the Engineer.

---

**BASIS OF PAYMENT**

**125-5.1**

ADD:

Payment will be made at the contract unit price for each complete item furnished and installed in place by the Contractor and accepted by the Engineer. This price shall be full compensation for furnishing all materials and for all preparation, removals, modifications, relocation, assembly, splice cans and installation of these materials, and for all labor, equipment, tools, and incidentals necessary to complete this item.

Payment for topsoiling and seeding of the Item 125 installation areas shall not be paid for separately but shall be considered incidental to the associated item.

Payment will be made under:

ITEM AR125442	TAXI GUIDANCE SIGN, 2 CHARACTER - PER EACH.
ITEM AR125443	TAXI GUIDANCE SIGN, 3 CHARACTER - PER EACH.
ITEM AR125445	TAXI GUIDANCE SIGN, 5 CHARACTER - PER EACH.
ITEM AR125505	MIRL, STAKE MOUNTED – PER EACH.
ITEM AR125510	MIRL, BASE MOUNTED – PER EACH.
ITEM AR125545	MI THRESHOLD LIGHT BASE MTD – PER EACH.
ITEM AR125565	SPLICE CAN – PER EACH.
ITEM AR125610	REILS – PER PAIR.
ITEM AR125901	REMOVE STAKE MOUNTED LIGHT – PER EACH.
ITEM AR125902	REMOVE BASE MOUNTED LIGHT – PER EACH.
ITEM AR125904	REMOVE TAXI GUIDANCE SIGN – PER EACH.
ITEM AR125907	REMOVE REILS – PER PAIR.
ITEM AR125941	ADJUST STAKE MOUNTED LIGHT – PER EACH.
ITEM AR125942	ADJUST BASE MOUNTED LIGHT – PER EACH.
ITEM AR125946	ADJUST SPLICE CAN – PER EACH.
ITEM AR125982	REFURBISH BASE MOUNTED LIGHT – PER EACH.

**IDOT DIVISION OF AERONAUTICS POLICY MEMORANDA**

**State of Illinois  
Department of Transportation  
Bureau of Materials and Physical Research**

**POLICY MEMORANDUM**

January 1, 2007

Springfield

07-21

TO: REGIONAL ENGINEERS, HIGHWAY BUREAU CHIEFS, AND  
MANUFACTURERS AND SUPPLIERS OF FINELY DIVIDED MINERALS

SUBJECT: ACCEPTANCE PROCEDURE FOR FINELY DIVIDED MINERALS USED  
IN PORTLAND CEMENT CONCRETE AND OTHER APPLICATIONS

DEFINITIONS

**Department** - Illinois Department of Transportation.

**Bureau** - Bureau of Materials and Physical Research, at 126 East Ash Street, Springfield, Illinois 62704-4766.

**Finely Divided Mineral** - A finely divided material which has cementitious or pozzolanic properties. Examples are fly ash, microsilica (silica fume), ground granulated blast-furnace (GGBF) slag, and high-reactivity metakaolin (HRM).

**Manufacturer** - A company that manufactures a finely divided mineral. The term Producer is also used.

**Supplier** - A company that supplies a finely divided mineral which it does not manufacture.

**Source** - The name and location of the manufacturing process from which the finely divided mineral is obtained.

**Approved Source** - A source that is approved by the Bureau to ship a finely divided mineral for immediate use on Department projects.

**Unapproved Source** - A source that ships a finely divided mineral which must be sampled, tested, and approved by the Bureau before it is used on Department projects.

**Cement** - Portland cement.

**Fly Ash** - A finely divided residue that results from the combustion of ground or powdered coal, transported from the combustion chamber by exhaust gas, collected by mechanical or electrical means, and stored in stockpiles or bins.

**Microsilica** - An amorphous silica of high silica content and purity possessing high pozzolanic activity.

**Ground Granulated Blast-Furnace (GGBF) Slag** - A glassy granular material, formed when molten blast-furnace slag is rapidly chilled, and then finely ground.

**High-Reactivity Metakaolin (HRM)** - A reactive aluminosilicate pozzolan formed by calcining purified kaolinite at a specific temperature range.

**Reference Material** - A portland cement used for the control mortar and corresponding test mortars, of a finely divided mineral, to determine its strength activity index.

**Preliminary (PRE) Sample** - A sample used to determine, in advance, if the finely divided mineral will comply with Department specifications.

**Process Control (PRO) Sample** - A sample used for the purpose of controlling production of finely divided minerals proposed for incorporation into Department projects.

**Acceptance (ACC) Sample** - A sample used for accepting/rejecting finely divided minerals prior to its use on Department projects and/or unassigned stock for future use on projects. The quantity represented by acceptance samples must be given.

**Independent Assurance (IND) Sample** - A sample used to provide an independent check on the reliability of the manufacturer's quality control program.

**Investigation (INV) Sample** - A destination sample used to verify the acceptability of a finely divided mineral from a source.

**Grab Sample** - A sample secured from a conveyor, from bulk storage, or from a bulk shipment in one operation.

**Composite Sample** - Combined grab samples taken at prescribed intervals over a period of time.

**NIST** - National Institute of Standards and Technology.

**CCRL** - Cement and Concrete Reference Laboratory.

**ISO 9000 Series** - A program of international quality management system standards developed by the International Organization for Standardization (ISO).

## 1.0 PURPOSE

To establish procedures whereby materials of mineral origin, furnished by a **Manufacturer** or **Supplier**, will be accepted for use on **Department** projects.

## 2.0 SCOPE

This procedure is available to all **Manufacturers** or **Suppliers** of domestic and foreign **Finely Divided Minerals**. **Sources** in North America may be **Approved** or **Unapproved**. **Sources** located outside of North American will not be given **Approved Source** status, and the procedures in Sections 5.1 and 5.3 shall apply.

### 3.0 SPECIFICATION REQUIREMENTS, SAMPLING, AND TEST PROCEDURES

- 3.1 **Finely Divided Minerals** used on **Department** projects shall meet the material requirements of the **Department's** "Standard Specifications for Road and Bridge Construction (January 1, 2007)" and current special provisions.

### 4.0 APPROVED SOURCE PROCEDURE

- 4.1 A **Manufacturer** or **Supplier** requesting **Source** approval of a **Finely Divided Mineral** shall provide the following to the **Bureau**:

- (1) The **Manufacturer's** or **Supplier's** name and location.
- (2) The **Source** name, location (station), and number of generating units.
- (3) The name of the **Finely Divided Mineral** and its class or grade.
- (4) A certification that the **Finely Divided Mineral** meets the applicable requirements of Section 3.0.
- (5) A 6-month testing history.
- (6) A copy of the **Manufacturer's** or **Supplier's** quality control program.
- (7) A copy of the last **CCRL** inspection report of the testing laboratory used by the **Manufacturer** or **Supplier** of the **Finely Divided Mineral**, with documentation of resolution of any discrepancies noted therein. The **Manufacturer** or **Supplier** of **HRM** or **Microsilica** shall provide a copy of the testing laboratory's **CCRL** inspection report and/or an **ISO 9000 Series** certificate.
- (8) A copy of the Material Safety Data Sheet (MSDS) for the **Finely Divided Mineral**.

At the time of application, the **Manufacturer** or **Supplier** shall obtain a **Preliminary (PRE) Grab Sample** of the **Finely Divided Mineral** from current production. The **Manufacturer** or **Supplier** shall split the **PRE Sample** and place one portion in an airtight container and deliver it to the **Bureau**. A sample of the **Reference Material** used by the **Manufacturer** or **Supplier** for testing shall be included. The **Manufacturer** or **Supplier** shall assume the cost to deliver the samples to the **Bureau**. The size of the **Bureau's** portion of the **PRE Sample**, and the **Reference Material**, shall not be less than 3 kg (6 lb.) each and the samples shall be properly identified as required in Attachment 1. The **Manufacturer** or **Supplier** shall test the retained portion of the **PRE Sample** for the standard physical and chemical properties listed in the applicable specification in Section 3.0 and deliver a copy of the test results to the **Bureau** for comparison.

The **Bureau** will test its portion of the **PRE Grab Sample** for conformance to Section 3.0. The **Bureau** will compare the results obtained by both laboratories to determine compliance with the allowable difference between two laboratories set forth in the precision statement of each test method. Additional split sample testing will be required if the test results obtained on the **PRE Grab Sample** do not comply with the specification requirements of this policy memorandum.



An inspector from the **Bureau** may conduct a scheduled visit to inspect the laboratory facilities designated by the **Manufacturer** or **Supplier** to test the **Finely Divided Mineral**; the **Source** manufacturing process, the **Source** storage facilities; and the quality control policies, procedures, and practices used by the **Manufacturer** or **Supplier**. The **Manufacturer** or **Supplier** shall be responsible for payment of transportation, per diem (meals), lodging, and incidental travel costs incurred by the **Department**.

The **Bureau** will notify the **Manufacturer** or **Supplier**, in writing, if the request for **Approved Source** status is granted or denied. A request may be denied if the **Manufacturer** or **Supplier** fails to meet the requirements of this policy memorandum, or for other reasons determined by the **Department**.

#### 4.2 Quality Control Requirements for **Approved Sources**:

The **Manufacturer** or **Supplier** shall establish and maintain quality control policies and procedures for sampling and testing that are approved by the **Bureau**. The **Bureau** shall be notified of any changes in the **Manufacturer's** or **Supplier's** quality control program.

Testing laboratories used by the **Manufacturers** or **Suppliers** of **Fly Ash** or **GGBF Slag** shall participate in the **CCRL** pozzolan program of the **NIST**, which includes inspection of facilities and testing of comparative samples. As an alternative to the **CCRL** pozzolan program of the **NIST**, **Manufacturers** or **Suppliers** of **GGBF Slag** may participate in the **CCRL** cement program. Testing laboratories used by the **Manufacturers** or **Suppliers** of **Microsilica** or **HRM** shall participate in the **CCRL** pozzolan program of the **NIST** and/or shall have implemented a quality management system based on the **ISO 9000 Series** standards.

#### 4.3 Reporting Requirements for **Approved Sources**:

The **Manufacturer** or **Supplier** shall deliver a test report to the **Bureau** which lists the results of all **Grab** and/or **Composite Samples** taken and tested for the specified reporting period.

For **Fly Ash**, the report shall be monthly, and shall be delivered no later than forty calendar days after the end of the month. If the **Fly Ash Source** is sampling more frequently than once per month according to ASTM C 311, then the report shall be delivered no later than forty calendar days after the end of the composite date. If the deadline falls on a Saturday, Sunday, or State Holiday, the deadline shall be the next work day.

For **GGBF Slag**, **HRM**, and **Microsilica**, the report shall be quarterly and shall be delivered no later than forty calendar days after the end of each quarter. For the purpose of the reports, the quarters shall end March 30, June 30, September 30, and December 31. If the deadline falls on a Saturday, Sunday, or State Holiday, the deadline shall be the next work day.

Sampling, testing, and reporting shall be done according to the applicable specification in Section 3.0.

#### 4.4 Record Requirements for **Approved Sources**:

Records of production control tests shall be maintained by the **Manufacturer** or **Supplier** for a minimum period of 5 years, and shall be made available to the **Bureau** upon request.

Copies of bills of lading of quantities of **Finely Divided Minerals** shipped shall be maintained by the **Manufacturer** or **Supplier** for a minimum period of 3 years, and shall be made available to the **Bureau** upon request.

#### 4.5 Sampling and Test Requirements for **Approved Sources**:

For **Fly Ash**, each February, May, August, and November, the **Supplier** shall obtain a **Process Control (PRO) Grab Sample**.

For **GGBF Slag, HRM, and Microsilica**, each January, April, July, and October, the **Manufacturer** or **Supplier** shall obtain a **PRO Grab Sample**.

The **PRO Grab Sample** shall be split for testing by the **Manufacturer** or **Supplier** and the **Bureau**. At this time, a sample of the current **Reference Material** used by the **Manufacturer** or **Supplier** for testing shall also be split.

The **Bureau** may require that more frequent **PRO Grab Samples** be obtained and tested. Increasing the sampling frequency may be required due to significant changes in the material or process, variations in test results between the **Bureau** and **Manufacturer** or **Supplier**, field test results, or other reasons as determined by the **Bureau**. The **Bureau** samples shall be placed in airtight containers, properly identified on form BMPR CM01 ([www.dot.il.gov/materials/materialforms.html](http://www.dot.il.gov/materials/materialforms.html)), and delivered to the **Bureau** no later than the last work day of the month. Each **Finely Divided Mineral** sample and **Reference Material** sample shall not be less than 3 kg (6 lb).

The **Manufacturer** or **Supplier** shall test the retained portion of each **PRO Sample**, using the retained portion of the **Reference Material**, for the standard physical and chemical properties listed in the applicable specification in Section 3.0. When all tests are completed, the **Manufacturer** or **Supplier** shall record the test results on a report form that identifies the sample as a **PRO Sample**, and deliver the report to the **Bureau** no later than the last work day of the following month from the date of sample.

The test results obtained by the **Manufacturer** or **Supplier** and the **Bureau** on all split samples will be compared for compliance with the allowable differences for two laboratories set forth in the precision statement of each test method and for compliance with Section 3.0. If significant differences exist in the split sample test results, the **Department** will investigate sampling and test procedures, or require additional comparative sampling to determine the cause of the variation.

#### 4.6 **Department** Inspections of **Approved Sources**:

An inspector from the **Bureau** may conduct unscheduled visits, at **Department** expense, to each **Approved Source** or one of its terminals. During this visit, the inspector will either take or witness the taking of a random **Independent Assurance (IND) Grab Sample**. The inspector will split the sample and deliver an equal portion to the **Manufacturer** or **Supplier**. The **Manufacturer** or **Supplier** shall test the retained portion of the split sample for the standard physical and chemical properties

listed in the applicable specification and deliver the test results to the **Bureau**, as specified in Section 4.5, for comparison and compliance with Section 3.0.

Random **Investigation (INV) Samples** of the **Finely Divided Minerals** and the project **Cement** will be obtained at final destination by a representative of the **Department**. The representative will either take or witness the taking of the **INV**

**Samples**. **INV Samples** will be **Grab Samples** and shall not be less than 3 kg (6 lb). (Note: **Cement** samples will be taken according to ASTM C 183). The

sampling location and frequency for obtaining **INV Samples** will be determined by the **Bureau** in consultation with the district offices.

The **Bureau** will test **INV Samples** to ascertain the results of **Finely Divided Mineral-project Cement** combinations. To verify that **Finely Divided Minerals** shipped from **Approved Sources** meet the requirements of Section 3.0, the **Bureau** will test **INV Samples** with the appropriate **Reference Material**.

#### 4.7 Revocation of **Approved Source** Status:

Failure of a **Manufacturer** or **Supplier** to meet the requirements of Sections 3.0 and 4.0 of this policy memorandum will be sufficient cause to revoke **Approved Source** status. However, a total of three late submittals in a twelve month period for any of the following: test report (**Grab** or **Composite Samples**), **PRO Sample**, or **PRO** test results will be permitted. Revocation will occur if a fourth late submittal occurs in a twelve month period. The **Manufacturer** will be notified in writing when the third late submittal in a twelve month period occurs.

Failure to resolve significant differences in testing, as indicated by the test results obtained on **PRO** or **IND Samples** split with the **Manufacturer** or **Supplier** will be sufficient cause to revoke **Approved Source** status.

Failure of the testing laboratory, used by the **Manufacturer** or **Supplier** of a **Finely Divided Mineral**, to satisfactorily resolve the discrepancies noted in the **CCRL** inspection report and/or to maintain a quality management system based on the **ISO 9000 Series** will be sufficient cause to revoke **Approved Source** status.

Revocation of **Approved Source** status will be reported to the **Manufacturer** or **Supplier** in writing. The **Manufacturer** or **Supplier** may not re-apply for **Approved Source** status until 30 days have elapsed from the date of the written notice of revocation.

## 5.0 UNAPPROVED SOURCE PROCEDURE

5.1 A **Manufacturer** or **Supplier** requesting approval of a **Finely Divided Mineral** from an **Unapproved Source** shall provide the following to the **Bureau**:

- (1) The **Manufacturer's** or **Supplier's** name and location.
- (2) The **Source** name, location (station), and number of generating units.
- (3) The name of the **Finely Divided Mineral** and its class or grade.

- (4) A current test report, in English, which indicates the standard physical and chemical composition of the **Finely Divided Mineral** as per Section 3.0.
- (5) The transportation method and location at which an inspector from the **Bureau** will be able to obtain **Acceptance (ACC) Samples**.
- (6) If requested by the **Bureau**, the **Manufacturer** or **Supplier** shall deliver to the **Bureau** a 24-hr **Composite Preliminary (PRE) Sample** of the **Finely Divided Mineral** from current shipments. The **Manufacturer** or **Supplier** shall assume the cost to deliver it to the **Bureau**. The size of the **PRE Sample** shall not be less than 3 kg (6 lb) and the sample shall be properly identified as required in Attachment 1.

## 5.2 Sampling and Test Requirements for **Unapproved Sources** in North America:

- (1) **Finely Divided Minerals** from an **Unapproved Source** will be sampled, tested, and approved by the **Bureau** before use on **Department** projects. The **Bureau** has the option to affix a seal to secure **Finely Divided Minerals** in storage (e.g. silo, truck, railroad car, or barge) until the **Bureau's** testing is completed.
- (2) Upon arrival of the **Finely Divided Mineral** to Illinois, an inspector from the **Bureau** will obtain **Acceptance (ACC) Grab Samples** according to the applicable specifications. The **Bureau** will determine the number of representative samples required.
- (3) The **Manufacturer** or **Supplier** may request the **Bureau** to sample the **Finely Divided Mineral** prior to arrival in Illinois. In the event the request is approved, the **Manufacturer** or **Supplier** shall be responsible for payment of transportation, per diem (meals), lodging, and incidental travel costs incurred by the **Department** inspector. If the **Department** determines that it lacks the resources to accomplish out-of-state inspection, the **Finely Divided Mineral** may be sampled and tested according to the procedures in Section 5.3.
- (4) **Acceptance (ACC) Samples** will be tested by the **Bureau** for conformance to Section 3.0, and to approve the **Finely Divided Mineral** for use on **Department** projects.
- (5) **Random Investigation (INV) Samples** of **Finely Divided Minerals** may be obtained at final destination by a representative of the **Department**. The representative will either take or witness the taking of the **INV Samples**. **INV Samples** will be **Grab Samples** and will be taken according to the applicable specification. The sampling location and frequency for obtaining **INV Samples** will be determined by the **Bureau** in consultation with the district offices. The **Bureau** will use **INV Samples** to verify that the **Finely Divided Mineral** shipped meets the requirements of Section 3.0.

## 5.3 Sampling and Test Requirements for **Unapproved Sources** Located Outside North America:

An agent of the importer shall obtain an **Independent Assurance (IND) Grab Sample** from each barge of foreign **Finely Divided Mineral** loaded at the port of entry and destined for Illinois.

The agent shall split each barge **Grab Sample** and mail one portion to the **Bureau**. The other portion shall be mailed to the importer's testing laboratory that is approved by the **Department**. The importer of the **Finely Divided Mineral** shall be responsible for all sampling and mailing costs.

The importer's laboratory shall test its portion of each barge **Grab Sample** for the standard physical requirements of the applicable specifications. One random barge **Grab Sample**, representing the **Finely Divided Mineral** in each hold of the vessel shall be tested for chemical composition.

Upon completion of the tests, the importer shall deliver to the **Bureau** a certification that states the **Finely Divided Mineral** in the vessel unloaded at the port of entry has been tested by the importer, and complies with the applicable specifications. Attached to the certification shall be a test report of all barge samples. The report shall include the name of the vessel, the source of the **Finely Divided Mineral**, the barge number, the hold number, the date the sample was taken, the quantity of **Finely Divided Mineral** in the barge, and the physical and chemical test results obtained on the samples.

The importer shall immediately notify the **Bureau** if a barge sample fails to meet the applicable specification requirements.

The **Bureau** will review the certification and compare the importer's test data to the test data obtained by the **Bureau** on its portion of each split sample.

When the certification and the accompanying test report are examined and determined to be correct, the **Bureau** will notify the importer and the district offices that the **Finely Divided Mineral** is approved for state projects.

**Random Investigation (INV) Samples**, from one or more barges, may be taken by a **Department** inspector when the barges arrive at the Illinois terminal(s).

The **Department** will reject any foreign **Finely Divided Mineral** tested by the **Bureau**, or the importer, that does not meet the specification requirements. The **Department** may reject any barge of **Finely Divided Mineral** wherein the differences in test values, obtained by the **Department** and the importer on the split sample, exceeds the multilaboratory precision of the test method, but the **Finely Divided Mineral** is within specifications.

Alternative proposals to the sampling and test requirements stated in this section will be considered for **Finely Divided Minerals** which have an acceptable quality history, and which have previously been approved by the **Department**. Requests shall be directed to the **Bureau of Materials and Physical Research** for approval.

## 6.0 ACCEPTANCE OF FINELY DIVIDED MINERALS

- 6.1 **Finely Divided Minerals** will be accepted according to the **Department's** current "Standard Specifications for Road and Bridge Construction," current special provisions, and this policy memorandum.
- 6.2 The **Bureau** will maintain and circulate a current list of **Approved Sources** of **Finely Divided Minerals** which meet the requirements of this policy memorandum. This list will include the name, location, and Producer/Supplier Number of each approved **Manufacturer** or **Supplier** of **Finely Divided Minerals**. These **Manufacturers** or **Suppliers** may ship **Finely Divided Minerals** for immediate use on **Department** projects.
- 6.3 **Finely Divided Minerals** from **Unapproved Sources** will be approved by the **Bureau** before use on **Department** projects.

## 7.0 REJECTION OF FINELY DIVIDED MINERALS

- 7.1 A **Finely Divided Mineral** that fails to conform to the requirements of Section 3.0 of this policy memorandum shall be rejected for use on **Department** projects.
- 7.2 The **Bureau** will notify the **Manufacturer** or **Supplier** when a **Finely Divided Mineral** is rejected for use on **Department** projects.



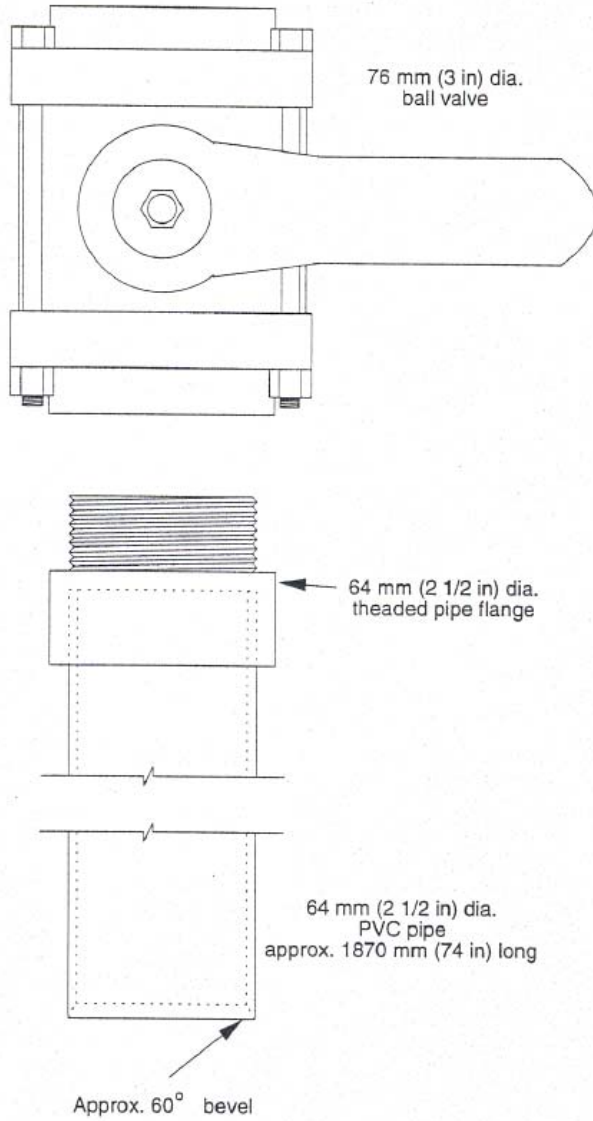
David L. Lippert, P.E.  
Acting Engineer of Materials  
and Physical Research

Attachment

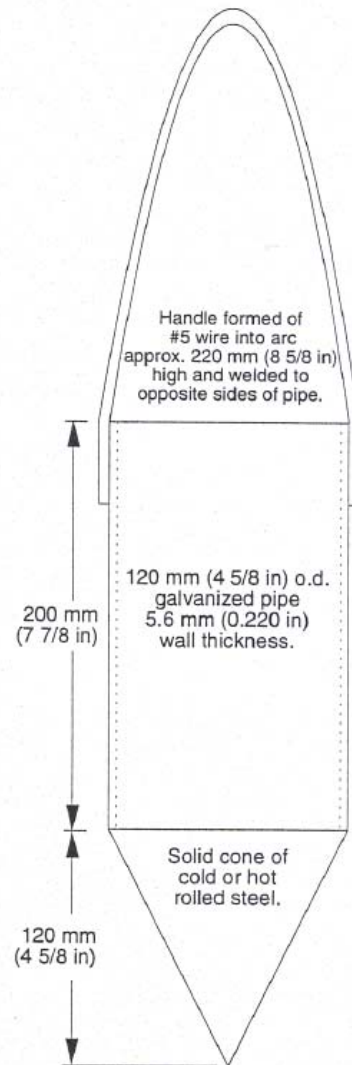
This policy memorandum supersedes Policy Memorandum 06-03 dated January 1, 2006.
--

DAD/dt

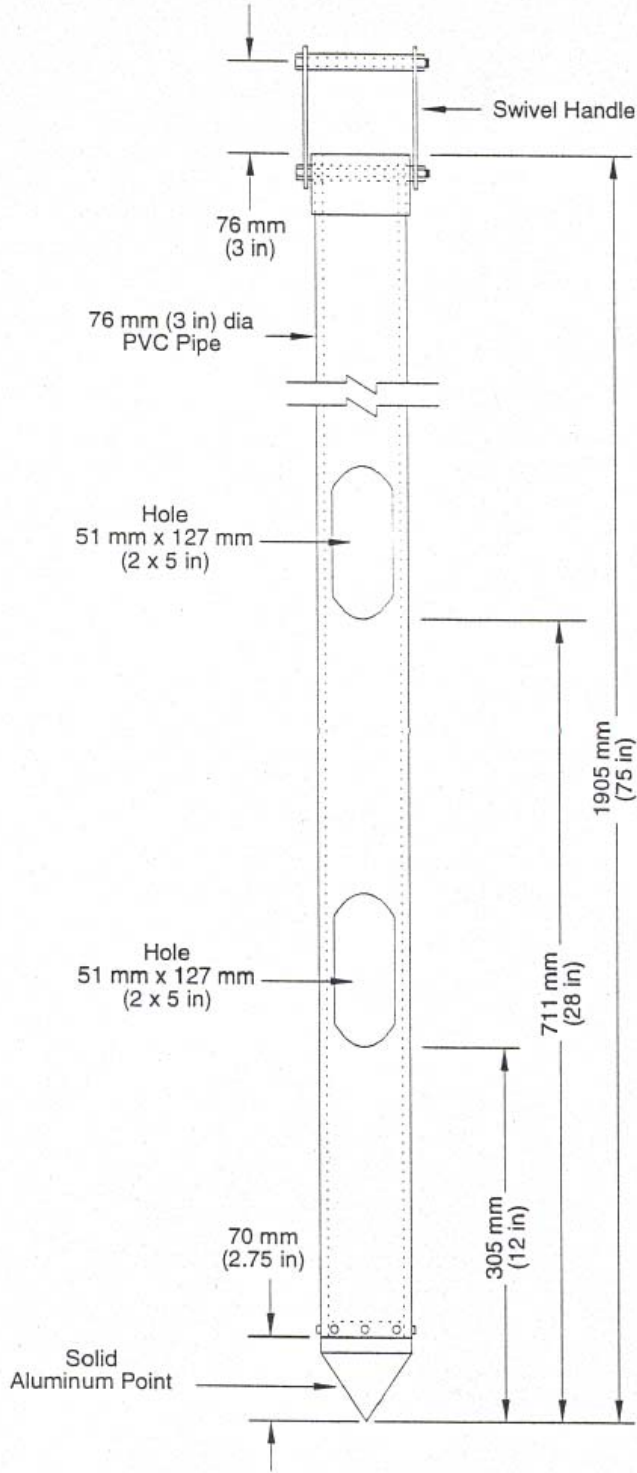
### Vacuum Type Bulk Cement Sampler



### Drop Type Bulk Cement Sampler



Note:  
Total mass weight of sampler not less than 6 kg (13 lb)



### Tube Type Bulk Cement Sampler



State of Illinois  
Department of Transportation  
Division of Aeronautics

POLICY MEMORANDUM

February 20, 2014

Springfield

Number: 87-2

TO: CONSULTING ENGINEERS

SUBJECT: DENSITY ACCEPTANCE OF BITUMINOUS PAVEMENTS

I. Introduction

This Policy Memorandum deals with the implementation of the bituminous density quality assurance specifications as outlined in the Standard Specifications for Construction of Airports, Sections 401-4.15 and 403-4.15.

II. Sampling

After completion of compaction and when the pavement has reached ambient temperature, the paved area shall be divided into Sublots of 500 tons per type of mix. One core sample (2 cores per sample) shall be taken from each Sublot. The longitudinal and transverse location for each sample shall be determined by use of a random number "Deck" provided by the Division. No core shall be taken closer than two (2) feet from the edge of the mat. A core extraction device shall be used to obtain all cores from the mat. All cores are to be taken by the contractor under the supervision and remain in the possession of the Engineer. It is imperative that the Engineer and the contractor realize that the cores are "money" and that improper coring, extraction, shipping and/or testing can be costly.

One mix sample per 1000 tons of mix laid shall be taken for Extraction, Maximum Specific Gravity ( $G_{mm}$ ) and Air Void tests. The mix samples shall be sampled by the contractor and split in half.

The Resident Engineer shall randomly designate and send the split samples to an independent laboratory for testing. The laboratory will be verified to be ASTM- certified for all the required testing and be contracted through the Consultant. The frequency of testing split samples shall be 1 per 5000 tons. Higher frequencies may be necessary if the contractor's tests, and/or mix quality control are inconsistent.

III. Testing

All cores shall be tested for Bulk Specific Gravity ( $G_{mb}$ ) in accordance with ASTM D2726 using Procedure 10.1, "For Specimens That Contain Moisture." The Theoretical Maximum Gravity ( $G_{mm}$ ) shall be determined according to ASTM D2041. From these tests the in-place air voids of the compacted pavement are calculated according to ASTM

D3203 for "dense bituminous paving mixtures." Selection of the proper  $G_{mm}$  shall be based on a running average of four (4) tests per Lot.

- E.g. Lot 1 - Use the average of the two (2) tests for Lot 1.  
 Lot 2 - Use the average of the four (4) tests from Lots 1 and 2.  
 Lot 3 - Use the average of the four (4) tests from Lots 2 and 3.

NOTE: When more than four (4) Sublots are used, still use a running average of four (4) tests per Lot.

#### IV. Acceptance Calculations

The first step in calculating the quantities for pay is to calculate the Mean ( $\bar{X}$ ) and the Standard Deviation (S) of the Sublot tests. From this data the Lot samples should first be tested for outliers. After consideration for outliers, the Percent Within Tolerance (PWT) and the Percent Within Limits (PWL) are calculated to determine the final pay quantities for the Lot.

#### EXAMPLE

##### 1. Test Data

Lot Quantity = 2000 tons  
 Sublot Test 1 = 4.35 % Air Voids  
 Sublot Test 2 = 3.96 % Air Voids  
 Sublot Test 3 = 6.75 % Air Voids  
 Sublot Test 4 = 6.25 % Air Voids

##### 2. Calculating the Mean and Standard Deviation

Sublot	$\bar{X}$	$(\bar{X} - \bar{X})$	$(\bar{X} - \bar{X})^2$
1	4.35	-0.978	0.956
2	3.96	-1.368	1.871
3	6.75	1.422	2.022
4	<u>6.25</u>	0.922	<u>0.850</u>
Sum =	21.31		5.699

$$N = 4$$

$$\text{Mean } \bar{X} = 21.34 / 4 = 5.328$$

$$\text{Variance } (S)^2 = \frac{\text{Sum } (\bar{X} - \bar{X})^2}{3} = \frac{5.699}{3} = 1.900$$

$$\text{Standard Deviation } S = \sqrt{1.900} = 1.378$$

##### 3. Test for Outliers

Check for Critical "T" Values

$$T = \frac{|(X_1 - \bar{X})|}{S} = \frac{|3.96 - 5.328|}{1.378} = 0.99$$

\* Difference between the suspect test value ( $X_1$ ) and the Mean ( $\bar{X}$ ).

If the T value exceeds the critical "T" Value in the table below and no assignable cause can be determined for the outlier, discard the suspected test measurement and obtain another random sample from the Sublot in question. If the new test exceeds the Mean ( $\bar{X}$ ) in the same direction from the Mean as the suspected test, recalculate the T value including all tests (original test, suspected test, and new test) for an outlier and for computing final payment.

TABLE OF CRITICAL "T" VALUES

Number of observations (N)	Critical "T" Value 5% Significance Level
3	1.15
4	1.46
5	1.67
6	1.82
7	1.94
8	2.03
9	2.11
10	2.18
11	2.23
12	2.29

Based on the above table, the "T" value of 0.99 does not exceed the Critical "T" Value of 1.46 for N = 4. Therefore, the value (3.96) is not an outlier and shall be used in calculating the Lot payment.

4. Calculation of Lot Payment

To calculate the Lot Payment use the Acceptance Criteria as outlined under Item 401-4.15(c) or Item 403-4.15(c).

$$Q_L = \frac{(\bar{X} - 1)}{S} = \frac{5.328 - 1}{1.378} = 3.141$$

$$Q_U = \frac{(7 - \bar{X})}{S} = \frac{7 - 5.328}{1.378} = 1.213$$

From this data the Percentage Within Tolerance (PWT) for both the lower and upper tolerance limits is determined by Table 6 (see Item 401 Bituminous Surface Course and/or Item 403 Bituminous Base Course in the Standard Specifications) for the number (N) of samples tested.

Eq. PWT (lower) = 99.0%  
PWT (upper) = 90.4%

We now calculate the Percent Within Limits (PWL) for the Lot.

$$PWL = [PWT (lower)] + [PWT (upper)] - 100$$

$$PWL = (99.0 + 90.4) - 100 = 89.4\%$$

Using Table 5, the % Adjustment in Lot Quantity is:

$$\% \text{ Adjustment} = 0.5 \text{ PWL} + 55.0$$

$$\% \text{ Adjustment} = 0.5 (89.4) + 55.0$$

$$\% \text{ Adjustment} = 99.7$$

$$\text{Adjusted Quantities} = \% \text{ Adjustment} \times \text{Lot Quantities}$$

$$\text{Adjusted Quantities} = 0.997 \times 2000 \text{ tons}$$

$$\text{Adjusted Quantities} = 1994 \text{ tons}$$

5. Resampling and Retesting

The contractor has the right to request the resampling and retesting of a complete Lot. This privilege is only allowed once for each Lot and must be requested in writing by the contractor within 48 hours of receiving the official report from the Engineer.

6. Reporting

After completion of the tests for each Lot, the Engineer shall complete the necessary calculations for final adjustment in quantities on the Form AER-1 and have both the Engineer and the Contractor sign the report for copying to both the FAA and IDOA.

Steven J. Long, P.E. Acting Chief Engineer

Supersedes Policy Memorandum 87-2, dated April 1, 2010

State of Illinois  
Department of Transportation  
Division of Aeronautics

---

**POLICY MEMORANDUM**

February 20, 2014

Springfield

Number: 87-4

TO: CONSULTING ENGINEERS

SUBJECT: DETERMINATION OF BULK SPECIFIC GRAVITY (d) OF COMPACTED BITUMINOUS MIXES

A. SCOPE

This method of test covers the determination of the bulk specific gravity and the percent air, of core samples from compacted bituminous mixtures using a saturated surface-dry procedure.

B. DEFINITIONS

1. Bulk Specific Gravity ( $G_{mb}$ ) ASTM 2726 or density is the weight per unit volume (gms/cc) of a mixture in its existing state of consolidation. The volume measurement for this specific gravity will include the volume of all the aggregate, asphalt, and air spaces (voids) in the aggregate particles and between the aggregate particles.
2. Theoretical Maximum Specific Gravity ( $G_{mm}$ ) ASTM 2041 is the weight per unit volume (grams/cc) of a mixture assuming complete consolidation; i.e., all the air spaces (voids) between the aggregate particles are eliminated.
3. Percent Density is a measure of the degree of compaction in relation to the Theoretical Maximum Specific Gravity.
4. Percent Air is a measure of the air voids in the compacted pavement.

C. APPARATUS

1. Balance - The balance shall be accurate to 0.1 gm throughout the operating range. It may be mechanical or electrical and shall be equipped with a suitable suspension apparatus and holder to permit weighing of the core in water while suspended from the balance. If the balance is a beam type, it shall be set up so that the core is placed in the basket that is suspended from the zero (0) end of the balance arm.
2. Water bath - The container for immersing the core in water while suspended from the balance shall be equipped with an overflow outlet for maintaining a constant water level. This water bath should be large enough to handle full-depth cores. When testing several cores at the same time, a dish-pan, sink or suitable container may be used for soaking.

#### D. PROCEDURE

1. Prior to testing, cores shall be sorted on a flat surface in a cool place. The sample(s) shall be brushed with a wire brush and/or other suitable means, to remove all loose and/or foreign materials, such as seal coat, tack coat, foundation material, soil, paper and foil prior to testing.
2. If a core contains binder and surface or multiple lifts, the lifts shall be separated. This may be done in the following manner:
  - a. Mark the separation line between the two lifts.
  - b. Place the core in a freezer for 20-25 minutes.
  - c. Place a 2 or 3-inch wide chisel on the separation line and tap with a hammer. Rotate the core and continue this process until the core separates. Brush loose pieces with a wire brush if needed.
  - d. Allow 2-3 hours for the core to return to ambient temperature before proceeding.
3. Prepare the water baths for soaking and weighing with water at 77° F. Water baths should be maintained at this temperature throughout testing. Saturate the cores by submerging in the water for a minimum of 20 minutes.
4. With the balance and water bath properly assembled and zeroed, suspend the sample from the balance and submerge it in the water bath. The core must be placed with the original top and bottom in a vertical position. If necessary, add sufficient water to bring the water level up to the overflow outlet. Permit any excess to overflow. Read and record the Saturated Submerged Weight. Designate this weight as (C).
5. Remove the core from the water bath and blot the excess water from the surface of the core with an absorbent cloth or other suitable material. This must be done quickly to prevent the internal water from escaping.
6. Place the core on the balance and read and record the Saturated Surface-dry Weight in air. Designate this weight as (B).
7. Place the core in a tared pan and dry in an oven. When the core is dry (less than 0.5 gm loss in one hour), record the weight and subtract the pan weight. Designate this weight as (A).
8. The following calculation is used to determine the Bulk Specific Gravity of the core.

$$G_{mb} = \frac{A}{B - C}$$

$G_{mb}$  = Bulk Specific Gravity

A = Oven dry weight

B = Saturated surface-dry weight

C = Saturated submerged weight

E. PERCENT DENSITY

The following calculation is used to determine the percent density of the core:

$$\% \text{ Density} = 100 \times \frac{G_{mb}}{G_m}$$

$G_{mb}$  = Bulk Specific Gravity

$G_{mm}$  = Theoretical Maximum Gravity\*

Note: The Theoretical Maximum Gravity ( $G_{mm}$ ) is determined from the mix design until current Vacuum Pycnometer test are available.

F. PERCENT AIR. To calculate the percent air, use the following formula:

$$\% \text{ Air} = 100 - \% \text{ Density}$$

G. WEIGHT PER SQUARE YARD OF COMPACTED MIXTURE. The actual weight per square yard of a compacted mixture can be calculated by using the Bulk Specific Gravity ( $G_{mb}$ ). The volume of a square yard of pavement one (1) inch thick is 0.75 cubic foot. Taking the weight of a cubic foot of water as 62.37 pounds, one square yard of compacted material, one (1) inch thick weighs:

$$\text{Pounds / Sq. Yd. (1" thick)} = 0.75 \times 62.37 \times G_{mb}$$

Steven J. Long, P.E. Acting Chief Engineer

Supersedes Policy Memorandum 87-4, dated January 1, 2004

State of Illinois  
Department of Transportation  
Division of Aeronautics

---

**POLICY MEMORANDUM**

April 1, 2010

Springfield

Number 96-1

TO: CONSULTING ENGINEERS

SUBJECT: ITEM 610, STRUCTURAL PORTLAND CEMENT CONCRETE:  
JOB MIX FORMULA APPROVAL & PRODUCTION TESTING.

- I. This policy memorandum addresses the Job Mix Formula (JMF) approval process and production testing requirements when Item 610 is specified for an airport construction contract.
- II. PROCESS
  - a. The contractor may submit a mix design with recent substantiating test data or he may submit a mix design generated by the Illinois Division of Highways with recent substantiating test data for approval consideration. The mix design should be submitted to the Resident Engineer.
  - b. The Resident Engineer should verify that each component of the proposed mix meets the requirements set forth under Item 610 of the *Standard Specifications for Construction of Airports* and/or the contract special provisions.
  - c. The mix design should also indicate the following information:
    1. The name, address, and producer/supplier number for the concrete.
    2. The source, producer/supplier number, gradation, quality, and SSD weight for the proposed coarse and fine aggregates.
    3. The source, producer/supplier number, type, and weight of the proposed flyash and/or cement.
    4. The source, producer/supplier number, dosage rate or dosage of all admixtures.
  - d. After completion of Items b and c above, the mix with substantiating test data shall be forwarded to the Division of Aeronautics for approval. Once the mix has been approved, the production testing shall be at the rate in Section III as specified herein.



### III. PRODUCTION TESTING

- a. One set of cylinders or beams, depending on the strength specified, shall be cast for acceptance testing for each day the mix is used. In addition, at least one slump and one air test shall be conducted for each day the mix is used. If more than 100 c.y. of the mix is placed in a given day, additional tests at a frequency of 1 per 100 c.y. shall be taken for strength, slump, and air. The concrete shall have a maximum slump of three inches (3") and minimum slump of one inch (1") when tested in accordance with ASTM C-143. The air content of the concrete shall be between 5% and 8% by volume. At no time shall the temperature of the concrete exceed 90 degrees Fahrenheit.
- b. If the total proposed amount of Item 610 Structural Portland Cement Concrete as calculated by the Resident Engineer is less than 50 c.y. for the entire project, the following shall apply:
  - The Resident Engineer shall provide calculations of the quantity of Item 610 to the Division of Aeronautics.
  - One set of cylinders or beams, depending on the strength specified, shall be cast for acceptance testing.
  - One air content and one slump test shall be taken for acceptance testing.
  - The concrete shall have a maximum slump of three inches (3") and minimum of one inch (1") when tested in accordance with ASTM C-143. The air content of the concrete shall be between 5% and 8% by volume. At no time shall the temperature of the concrete exceed 90 degrees Fahrenheit.
- c. The Resident Engineer shall collect actual batch weight tickets for every batch of Item 610 concrete used for the project. The actual batch weight tickets shall be kept with the project records and shall be available upon request of the Department of Transportation.

Steven J. Long, P.E.  
Acting Chief Engineer

Supersedes Policy Memorandum 96-1 dated January 1, 2004

State of Illinois  
Department of Transportation  
Division of Aeronautics

---

**POLICY MEMORANDUM**

February 20, 2014

Springfield, Illinois

Number 96-3

TO: CONSULTING ENGINEERS

SUBJECT: REQUIREMENTS FOR QUALITY ASSURANCE ON PROJECTS WITH  
BITUMINOUS CONCRETE PAVING

I. SCOPE

The purpose of this policy memorandum is to define to the Consulting Engineer the requirements concerning Quality Assurance on bituminous concrete paving projects. Specifically, this memo applies whenever the Contractor is required to comply with the requirements set forth in Policy Memorandum 2003-1, "*Requirements for Laboratory, Testing, Quality Control, and Paving of Bituminous Concrete Mixtures*".

II. LABORATORY APPROVAL

The Resident Engineer shall review and approve the Contractor's plant laboratory to assure that it meets the requirements set forth in the contract specifications and Policy Memorandum 2003-1. This review and approval shall be completed prior to utilization of the plant for the production of any mix.

III. QUALITY ASSURANCE DURING PRODUCTION PAVING

- A. At the option of the Engineer, independent assurance tests may be performed on split samples taken by the Contractor for Quality Control testing. In addition, the Resident Engineer shall witness the sampling and splitting of these samples at the start of production and as needed throughout mix production. The Engineer may select any or all split samples for assurance testing. These tests may be performed at any time after sampling. The test results will be made available to the Contractor as soon as they become available.
- B. The Resident Engineer may witness the sampling and testing being performed by the Contractor. If the Resident Engineer determines that the sampling and Quality Control tests are not being performed according to the applicable test procedures, the Engineer may stop production until corrective action is taken. The Resident Engineer will promptly notify the Contractor, both verbally and in writing, of observed deficiencies. The Resident Engineer will document all witnessed samples and tests. The Resident Engineer may elect to obtain samples for testing, separate from the Contractor's Quality Control process, to verify specification compliance.

1. Differences between the Contractor's and the Engineer's split sample test results will be considered acceptable if within the following limits:

<u>Test Parameter</u>	<u>Acceptable Limits of Precision</u>
% Passing	
1/2 in.	5.0 %
No. 4	5.0 %
No. 8	3.0 %
No. 30	2.0 %
No. 200	2.2 %
Asphalt Content	0.3 %
Maximum Specific Gravity ( $G_{mm}$ ) of Mixture	0.026
Bulk Specific Gravity ( $G_{mb}$ ) of Gyratory Brix	0.045

2. In the event a comparison of the required plant test results is outside the above acceptable limits of precision, split or independent samples fail the control limits, an extraction indicates non-specification mix, or a continual trend of difference between Contractor and Engineer test results is identified, the Engineer will immediately investigate. The Engineer may suspend production while the investigation is in progress. The investigation may include testing by the Engineer of any remaining split samples or a comparison of split sample test results on the mix currently being produced. The investigation may also include review and observation of the Contractor's technician performance, testing procedure, and equipment. If a problem is identified with the mix, the Contractor shall take immediate corrective action. After corrective action, both the Contractor and the Engineer shall immediately resample and retest.

- C. The Contractor shall be responsible for documenting all observations, records of inspection, adjustments to the mixture, test results, retest results, and corrective actions in a bound hardback field book or bound diary which will become the property of IDA upon completion and acceptance of the project. The Contractor shall be responsible for the maintenance of all permanent records whether obtained by the Contractor, the Contractor's Consultants, or the producer of bituminous mix material. The Contractor shall provide the Engineer full access to all documentation throughout the progress of the work.

Results of adjustments to mixture production and tests shall be recorded in duplicate and sent to the Engineer.

#### IV. ACCEPTANCE BY ENGINEER

Density acceptance shall be performed according to Policy Memorandum 87-2, or according to the acceptance procedure outlined in the Special Provisions.

Steven J. Long, P.E. Acting Chief Engineer

Supersedes Policy Memorandum 96-3, dated January 1, 2004

State of Illinois  
Department of Transportation  
Division of Aeronautics

---

**POLICY MEMORANDUM**

January 1, 2004

Springfield, Illinois

Number 97-2

TO: CONSULTING ENGINEERS

SUBJECT: PAVEMENT MARKING PAINT ACCEPTANCE

I. SCOPE

The purpose of this policy memorandum is to define the procedure for acceptance of pavement marking paint.

II. RESIDENT ENGINEER'S DUTIES

The Resident Engineer shall follow the acceptance procedure outlined as follows:

- A. Require the painting contractor to furnish the name of the paint manufacturer and the batch number proposed for use prior to beginning work. Notify the I.D.A. Materials Certification Engineer when this information is available.
- B. Require the manufacturer's certification before painting begins. Check the certification for compliance to the contract specifications.
  1. The certification shall be issued from the manufacturer and shall include the specification and the batch number.
  2. The paint containers shall have the manufacturer's name, the specification and the batch number matching the certification.
- C. If no batch number is indicated on the certification or containers, sample the paint according to the procedure for the corresponding paint type.
- D. If the I.D.A. Engineer of Materials indicates that batch number has not been previously sampled and tested, sample the paint according to the procedure for the corresponding paint type. The Division of Aeronautics will provide paint cans upon request by the Resident Engineer. Samples will only be taken in new epoxy lined cans so that the paint will not be contaminated. It is important to seal the sample container immediately with a tight cover to prevent the loss of volatile solvents.

Mark the sample cans with the paint color, manufacturer's name, and batch number. The paint samples and manufacturer's certification shall be placed in the mail within 24 hours after sampling. Address the samples to the Materials Certification Engineer at:

Illinois Department of Transportation  
Division of Aeronautics  
One Langhorne Bond Drive  
Springfield, Illinois 62707

Sampling Procedures for Each Paint Type:

1. Waterborne or Solvent Base Paints
  - a. Take the paint sample from the spray nozzle when the contractor begins marking. A sample consists of two one-pint cans taken per batch number.
  - b. Be sure to indicate to the contractor that acceptance of material is based upon a passing test of the paint material.
  
2. Epoxy Paint
  - a. Take separate one-pint samples of each paint component prior to marking. Before drawing samples, the contents of each component's container must be thoroughly mixed to make certain that any settled portion is fully dispersed. **Do not combine the two components or sample from the spray nozzle.**
  - b. Be sure to indicate to the contractor that acceptance of material is based upon a passing test of the paint material.

III. TESTING

The paint will be tested for acceptance by the IDOT Bureau of Materials and Physical Research for conformance to the contract specifications.

Steven J. Long, P.E.  
Acting Chief Engineer

Supersedes policy memorandum 97-2 dated February 27, 2002

State of Illinois  
Department of Transportation  
Division of Aeronautics

---

**POLICY MEMORANDUM**

June 12, 2014

Springfield, Illinois

Number 2003-1

TO: CONTRACTORS

SUBJECT: REQUIREMENTS FOR LABORATORY, TESTING, QUALITY CONTROL, AND  
PAVING OF SUPERPAVE HMA CONCRETE MIXTURES FOR AIRPORTS

I. SCOPE

The purpose of this policy memorandum is to define to the Contractor the requirements concerning the laboratory, testing, Quality Control, and paving of HMA mixtures utilizing Superpave technology. References are made to the most recent issue of the Standard Specifications for Construction of Airports (Standard Specifications) and to American Society for Testing and Materials (ASTM) testing methods. The Quality Assurance and acceptance responsibilities of the Resident Engineer are described in Policy Memorandum 96-3.

II. LABORATORY

The Contractor shall provide a laboratory located at the plant and approved by the Illinois Division of Aeronautics (IDA). The laboratory shall be of sufficient size and be furnished with the necessary equipment and supplies for adequately and safely performing the Contractor's Quality Control testing as well as the Resident Engineer's acceptance testing as described in Policy Memorandum 87-2.

The effective working area of the laboratory shall be a minimum of 600 square feet with a ceiling height of not less than 7.5 feet. Lighting shall be adequate to illuminate all working areas. It shall be equipped with heating and air conditioning units to maintain a temperature of 70° F ±5° F.

The laboratory shall have equipment that is in good working order and that meets the requirements set forth in the following ASTM test standards:

ASTM D 70	Test Method for Specific Gravity and Density of Semi-Solid Materials
ASTM C 117	Test Method for Materials Finer than 75 µm (No. 200) Sieve in Mineral Aggregates by Washing
ASTM C 136	Sieve or Screen Analysis of Fine and Coarse Aggregate
ASTM C 566	Total Moisture Content of Aggregate by Drying
ASTM D 75	Sampling Aggregates
ASTM D 2041	Theoretical Maximum Specific Gravity and Density of Bituminous Paving Mixtures

ASTM D 2172	Quantitative Extraction of Bitumen from Bituminous Paving Mixtures
AASHTO T 308-09	Ignition Method for Determining Asphalt Content (Illinois Modified)
ASTM D 2726	Bulk Specific Gravity of Compacted Bituminous Mixtures using Saturated Surface Dry Specimens
ASTM D 3203	Percent Air Voids in Compacted Dense and Open Bituminous Paving Mixtures
ASTM D 2950	Density of Bituminous Concrete in Place by Nuclear Method
ASTM D 4125	Asphalt Content of Bituminous Mixtures by Nuclear Method
ASTM C 127	Standard Test Method for Specific Gravity and Absorption of Coarse Aggregate
ASTM C 128	Standard Test Method for Specific Gravity and Absorption of Fine Aggregate

The laboratory and equipment furnished by the Contractor shall be properly calibrated and maintained. The Contractor shall maintain a record of calibration results at the laboratory. The Engineer may inspect measuring and testing devices at any time to confirm both calibration and condition. If the Engineer determines that the equipment is not within the limits of dimensions or calibration described in the appropriate test method, he may stop production until corrective action is taken. If laboratory equipment becomes inoperable or insufficient to keep up with mix production testing, the Contractor shall cease mix production until adequate and/or sufficient equipment is provided.

### III. MIX DESIGN SUBMITTAL

Based upon data and test results submitted by the Contractor, the Illinois Division of Aeronautics Engineer of Construction & Materials shall issue the final Job Mix Formula (JMF) approval letter that concurs or rejects the Contractor's proposed JMF. The Contractor will be required to perform the sampling and laboratory testing and develop a complete mix design, according to the following guidelines: Mix design submittals should be sent to IDA, Construction/Material Section, Attn: Certification and Mixtures Engineer. Note: Quality Control (QC) Managers shall be Level III QC/QA qualified and will be responsible for all mix designs. All Technicians obtaining samples and performing gradations shall have successfully completed the IDOT Mixture Aggregate Technician Course and Technicians performing mix design testing and plant sampling/testing shall have successfully completed the IDOT Bituminous Concrete Level 1 Technician Course under the Illinois Department of Transportation, Bureau of Materials & Physical Research QC/QA Training Program.

#### A. Preliminary Mix Design Submittal

Top half of the IDOT Mix Design Software Cover Sheet (QC/QA Package) should be completed for the aggregate mix design parameters and should include the following:

1. Producer name, Producer # and Producer location of each aggregate (Producers are assigned Producer numbers by IDOT Central Bureau of Materials)
2. Material code for each aggregate

3. Aggregate Gradations per ASTM C-136 (The Contractor shall obtain representative samples of each aggregate)
4. Material code for each aggregate (i.e. 022CM11, etc.)
5. Proposed Aggregate Blend (% for each aggregate) Note: Based on the gradation results, the Contractor shall select the blend percentages that comply with the Standard Specifications, Section 401/403 – 3.2 JOB MIX FORMULA, Table 2. (Appendix A)
6. Producer name, Producer #, and specific gravity of the proposed asphalt cement
7. IDOT approved PG Binder 64-22 shall be used unless otherwise specified by the IDA Engineer of Construction & Materials.

B. Mixture Design & Testing

Design Parameters

Gyrations ( $N_{des}$ ) – per Standard Specifications, Section 401/403 – 3.2 (JMF), Table 1

Asphalt Content – AC% per Standard Specifications, Section 401/403 – 3.2 (JMF), Table 2

Maximum Specific Gravity –  $G_{mm}$  (ASTM D 2041)

Bulk Specific Gravity –  $G_{mb}$  (ASTM D 2726)

% air voids –  $V_a$  (ASTM D3203) per Standard Specifications, Section 401/403 – 3.2 (JMF), Table 2

VFA % – per Standard Specifications, Section 401/403 – 3.2 (JMF), Table 1

Mixture Tests

After verification and approval by IDA of the proposed design information from step A., the Contractor shall perform mixture tests on 4 gyratory brix (4 point mix design) to determine the optimum AC content for the target Air Voids.

C. Mix Design Submittal

The Preliminary JMF including all test results shall be reported to IDA, Construction/Material Section, Attn: Certification and Mixtures with the following data:

- a) Aggregate & asphalt cement material codes
- b) Aggregate & asphalt cement producer numbers, names, and locations
- c) Percentage of each individual aggregate
- d) Aggregate blend % for each sieve
- e) AC Specific Gravity
- f) Bulk Specific Gravity and Absorption for each aggregate
- g) Summary of Superpave Design Data: AC % Mix,  $G_{mb}$ ,  $G_{mm}$ , VMA, Voids (Total Mix), Voids Filled,  $V_{be}$ ,  $P_{be}$ ,  $P_{ba}$ ,  $G_{se}$
- h) Optimum design data listing: AC % Mix,  $G_{mb}$ ,  $G_{mm}$ , VMA, Voids (Total Mix), Voids Filled,  $G_{se}$ ,  $G_{sb}$



- i) Percent of asphalt that any RAP will add to the mix
- j) Graphs for the following: gradation on 0.45 Power Curve, AC vs. Voids (Total Mix), AC vs. Specific Gravities, AC vs. Voids Filled, AC vs. VMA

D. Mix Approval

Once the proposed JMF is reviewed and approved by IDA, a JMF approval letter will be issued to the contractor. Production of HMA is not authorized until a JMF letter has been issued. When a Test Section is specified as part of the contract, the proposed JMF shall be considered preliminary until it passes all Test Section requirements.

E. Change in Material Sources

The above procedure, III. MIX DESIGN SUBMITTAL shall be repeated for each change in source or gradation of materials.

IV. MIX PRODUCTION TESTING

The Quality Control of the manufacture and placement of HMA mixtures is the responsibility of the Contractor. The Contractor shall perform or have performed the inspection and tests required to assure conformance to contract requirements. Quality Control includes the recognition of defects and their immediate correction. This may require increased testing, communication of test results to the plant or the job site, modification of operations, suspension of HMA production, rejection of material, or other actions as appropriate. The Resident Engineer shall be immediately notified of any failing tests and subsequent remedial action. Form AER M-14 shall be reported to IDA, Construction/Material Section, Attn: Certification and Mixtures Engineer and the Resident Engineer no later than the start of the next work day. The Contractor shall provide a Quality Control (QC) Manager who will have overall responsibility and authority for Quality Control. This individual shall have successfully completed the IDOT Division of Highways HMA Concrete Level II Technician Course "HMA Proportioning and Mixture Evaluation." In addition to the QC Manager, the Contractor shall provide sufficient and qualified personnel to perform the required visual inspections, sampling, testing, and documentation in a timely manner.

- A. Gradations for Mixture Proportioning: Aggregate gradations for proportioning (ASTM C-136) are required at a minimum of one per week when mix is produced. Aggregate gradations can be either hot bin gradations for batch plants or stockpile gradations for drier drum plants. Hot bin gradations may be reported on either form AER 9 or on the Division of Highways QC/QA package "Grad 1" Tab in the Daily HMA Plant Reporting Module. Stockpile gradations shall be shown on form MI504QC from the "Print Out" Tab in the Aggregate Stockpile Module of The Division of Highways QC/QA Package.
- B. Production Mixture Testing: 1 per 1000 tons of the following (if total daily quantity is  $\leq$  200 tons (small quantity) then a mix sample is not required and this quantity may be added on to next day's total for testing. Two consecutive days without testing is not allowed.): Reflux extraction (ASTM D2172) or Ignition oven test showing gradation and AC Content, Maximum Specific Gravity (ASTM D 2041), Bulk Specific Gravity (ASTM D 2726) and % Air Voids (ASTM D 3203). Calculations of the results (including weight data) shall be shown on the "Voids 1" and "IGN & NUC AC 1" tab printouts from the Division of Highways QC/QA Package Daily HMA Plant Reporting module.

- C. A certification from the quarry for the total quantity of aggregate listing the source, gradation type, and quality designation of aggregate shipped. The Aggregate Certification of Compliance (AER18) may be used by the contractor for this purpose.
- D. Original asphalt shipping tickets listing the source and type of asphalt shipped.
- E. Check sample tests at a rate of 1/5000 tons randomly selected by the R.E. shall be sent with an identification sheet to an independent laboratory designated by the Division of Aeronautics. If the project is < 5000 tons, 1 sample selected randomly shall be sent.
- F. Bituminous Test Summary (AER 14) Note: The R.E. should make certain that the Contractor fills this form out daily (for mix production days) and distributes it daily to the Division of Aeronautics and R.E. The Contractor (QC Manager) is required to note any adjustments to the mix or to the plant (proportioning) in the "Remarks/Corrective Measures" section of the AER 14.

V. QUALITY CONTROL

- A. Control Limits (Control Charts used for projects > 4000 tons per bituminous concrete pay item)

Target values shall be determined from the approved JMF. The target values shall be plotted on the control charts within the following control limits:

Control Limits

<u>Parameter</u>	<u>Individual Test</u>	<u>Moving Avg. of 4</u>
% Passing		
1/2 in.	± 7 %	±4 %
No. 4	±7 %	±4 %
No. 8	±5 %	±3 %
No. 30	±4 %	±2.5 %
No. 200 *	±2.0 % *	±1.0 % *
Asphalt Content	±0.45 %	±0.2 %

\* No. 200 material percent's shall be based on washed samples. Dry sieve gradations (-200) shall be adjusted based on anticipated degradation in the mixing process.

- B. Control Charts (Control Charts used for projects > 4000 tons per bituminous concrete pay item)

Standardized control charts shall be maintained by the Contractor at the field laboratory. The control charts shall be displayed and be accessible at the field laboratory at all times for review by the Engineer. The individual required test results obtained by the Contractor shall be recorded on the control chart immediately upon completion of a test, but no later than 24 hours after sampling. Only the required plant tests and resamples shall be recorded on the control chart. Any additional testing of check samples may be used for controlling the Contractor's processes, but shall be documented in the plant diary.

The results of assurance tests performed by the Resident Engineer will be posted as soon as available.

The following parameters shall be recorded on control charts:

1. Combined Gradation of Hot-Bin (Batch Plant) or Combined Belt Aggregate Samples (Drier Drum Plant) (% Passing 1/2 in., No. 4., No. 8, No. 30, and No. 200 Sieves)
2. Asphalt Content
3. Bulk Specific Gravity ( $G_{mb}$ )
4. Maximum Specific Gravity of Mixture ( $G_{mm}$ ) C.

#### Corrective Action for Required Plant Tests

Control Limits for each required parameter, both individual tests and the average of four tests, shall be exhibited on control charts. Test results shall be posted within the time limits previously outlined.

1. Individual Test Result. When an individual test result exceeds its control limit, the Contractor shall immediately resample and retest. If at the end of the day no material remains from which to resample, the first sample taken the following day shall serve as the resample as well as the first sample of the day. This result shall be recorded as a retest. If the retest passes, the Contractor may continue the required plant test frequency. Additional check samples should be taken to verify mix compliance.
2. Asphalt Content. If the retest for asphalt content exceeds control limits, mix production shall cease and immediate corrective action shall be instituted by the Contractor. After corrective action, mix production shall be restarted, the mix production shall be stabilized, and the Contractor shall immediately resample and retest. Mix production may continue when approved by the Engineer. The corrective action shall be documented.

Inability to control mix production is cause for the Engineer to stop the operation until the Contractor completes the investigation identifying the problems causing failing test results.

3. Combined Aggregate/Hot-Bin. For combined aggregate/hot-bin retest failures, immediate corrective action shall be instituted by the Contractor. After corrective action, the Contractor shall immediately resample and retest. The corrective action shall be documented.
  - a. Moving Average. When the moving average values trend toward the moving average control limits, the Contractor shall take corrective action and increase the sampling and testing frequency. The corrective action shall be documented.

The Contractor shall notify the Engineer whenever the moving average values exceed the moving average control limits. If two consecutive moving average values fall outside the moving average control limits, the

Contractor shall cease operations. Corrective action shall be immediately instituted by the Contractor. Operations shall not be reinstated without the approval of the Engineer. Failure to cease operations shall subject all subsequently produced material to be considered unacceptable.

- b. Mix Production Control. If the Contractor is not controlling the production process and is making no effort to take corrective action, the operation shall stop.

## VI. TEST SECTION AND DENSITY ACCEPTANCE (**Note: Applies only when specified.**)

- A. The purpose of the test section is to determine if the mix is acceptable and can be compacted to a consistent passing density.

A quick way to determine the compaction of the mix is by the use of a nuclear density gauge in the construction of a growth curve. An easy way to construct a growth curve is to use a good vibratory roller. To construct the curve, an area the width of the roller in the middle of the mat is chosen and the roller is allowed to make one compaction pass. With the roller stopped some 30 feet away, a nuclear reading is taken and the outline of the gauge is marked on the pavement. The roller then makes a compaction pass in the opposite direction and another reading is taken. This scenario is continued until at least two (2) passes are made past the maximum peak density obtained.

The maximum laboratory density potential of a given mix is a direct function of the mix design air voids. Whereas, the actual maximum field density is a function of the type of coarse aggregates, natural or manufactured sands, lift thickness, roller type (static or vibratory), roller and paver speed, base condition, mix variation, etc. All of these items are taken into consideration with the growth curve.

1. High Density in the Growth Curve. If the growth curve indicates a maximum achievable field density of between 95 to 98 percent of the Theoretical Maximum Density (D), you can proceed with the Rolling Pattern. On the other hand, if the maximum achievable density is greater than 98 percent, a quick evaluation (by use of an extractor, hot bin gradations, nuclear asphalt determination, etc.) must be made of the mix. When adjustments are made in the mix, a new growth curve shall be constructed.
2. Low Density in the Growth Curve. If the growth curve indicates the maximum achievable density is below 94 percent, a thorough evaluation of the mix, rollers, and laydown operations should be made. After a thorough evaluation of all factors (mix, rollers, etc.), asphalt or gradation changes may be in order as directed by the Engineer. Again, any changes in the mix will require a new growth curve. Note that the nuclear density test is a quality control tool and not an acceptance test. All acceptance testing is to be conducted by the use of cores, unless otherwise specified.

3. Acceptance of Test Section. The Contractor may proceed with paving the day after the test section provided the following criteria have been met:
  - a. Four random locations (2 cores per location cut longitudinally and cored by the Contractor) will be selected by the Engineer within the test strip. All the cores must show a minimum of 94% density.
  - b. All Superpave and extraction test results from mix produced for the test section must be within the tolerances required by specification.
  - c. The Contractor shall correlate his nuclear gauge to the cores taken in the test section. Additional cores may be taken at the Contractor's expense for this purpose within the test section area, when approved by the Engineer.
  
4. Density Acceptance under Production Paving. The responsibility for obtaining the specified density lies with the Contractor. Therefore, it is important that the nuclear density gauge operator communicate with the roller operators to maintain the specified density requirements. The Contractor shall provide a qualified HMA Density Tester who has successfully completed the Department's "HMA Nuclear Density Testing Course" to run all required density tests on the job site. Density acceptance testing, unless otherwise specified, is described as follows:
  - a. The Contractor shall cut cores at random locations within 500 ton sublots as directed by the Resident Engineer.
  - b. The cores should be extracted so as not to damage them, since they are used to calculate the Contractor's pay.
  - c. The Engineer will run preliminary  $G_{mb}$  tests on the cores to give the Contractor an indication of how compaction is running for the next day's paving.
  - d. A running average of four (4) Maximum Theoretical Gravities ( $G_{mm}$ ) will be used for calculating percent compaction.
  - e. Final core density tests and pay calculations will be performed by the Resident Engineer and delivered to the Contractor.
  - f. Should the contractor wish to resample the pavement as a result of pay calculations resulting in less than 100% payment the request must be made within 48 hours of receipt of the original payment calculation.

Steven J. Long, P.E. Acting Chief Engineer

Supersedes Policy Memorandum 2003-1 dated May 1, 2014

# APPENDIX A

AGGREGATE BITUMINOUS BASE COURSE

---

Percentage by Weight Passing Sieves  
Job Mix Formula (JMF)

---

Sieve Size	Gradation B Range 1" Maximum	Ideal Target
1-1/4 in.	---	---
1 in.	100	100
3/4 in.	93 – 97	95
1/2 in.	75 – 79	77
3/8 in.	64 – 68	66
No. 4	45 – 51	48
No. 8	34 – 40	37
No. 16	27 – 33	30
No. 30	19 – 23	21
No. 100	6 – 10	8
No. 200	4 – 6	5
Bitumen %:		
Stone	4.5 – 7.0	5.5

---

AGGREGATE BITUMINOUS SURFACE COURSE

---

Percentage by Weight Passing Sieves  
Job Mix Formula (JMF)

---

Sieve Size	Gradation B Range ¾" Maximum	Ideal Target
1 in.	100	---
¾ in.	100	100
½ in.	99 - 100	100
⅜ in.	91 - 97	94
No. 4	56 – 62	59
No. 8	36 - 42	39
No. 16	27 - 32	30
No. 30	19 - 25	22
No. 100	7 – 9	8
No. 200	5 – 7	6

---

Bitumen %:		
Stone	5.0 – 7.0	6.0

---