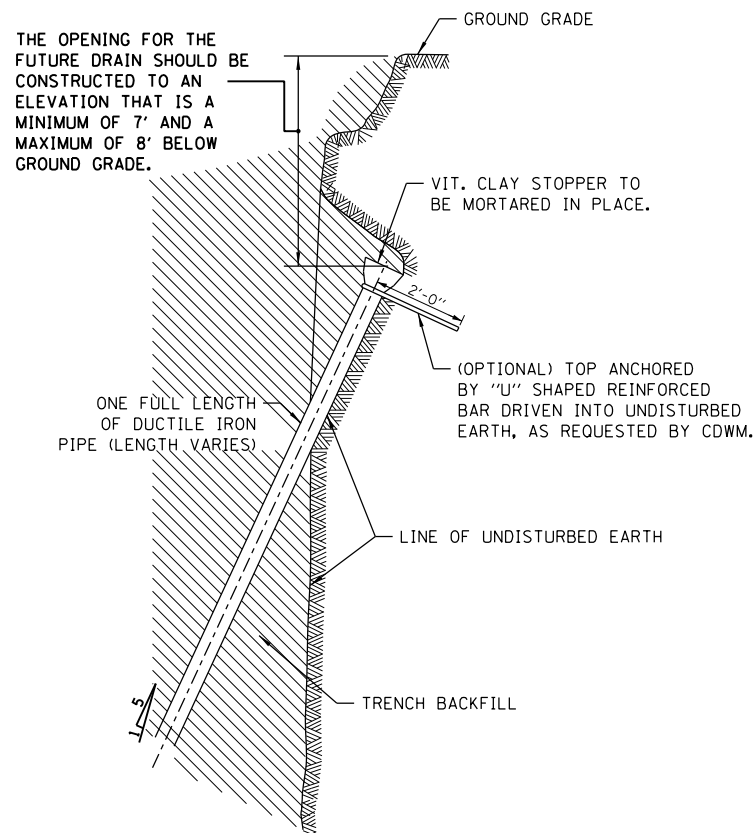
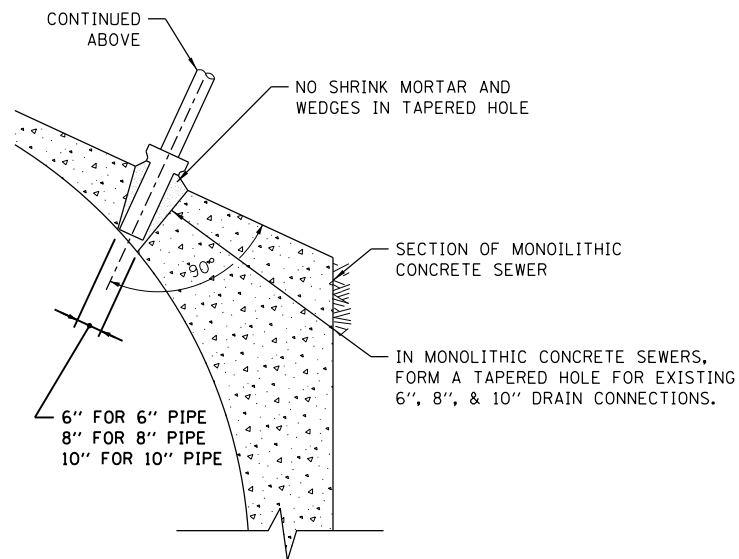


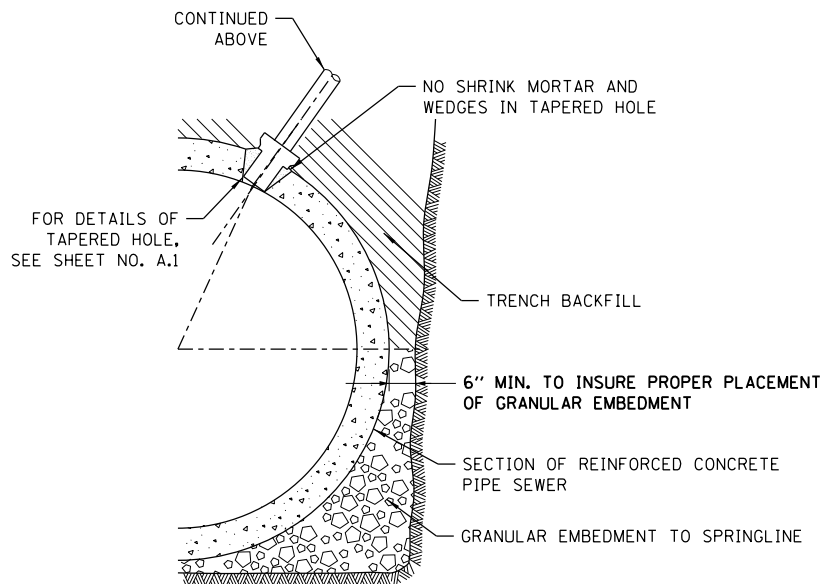
TYPICAL DRAIN CONNECTIONS FOR EXISTING DRAINS



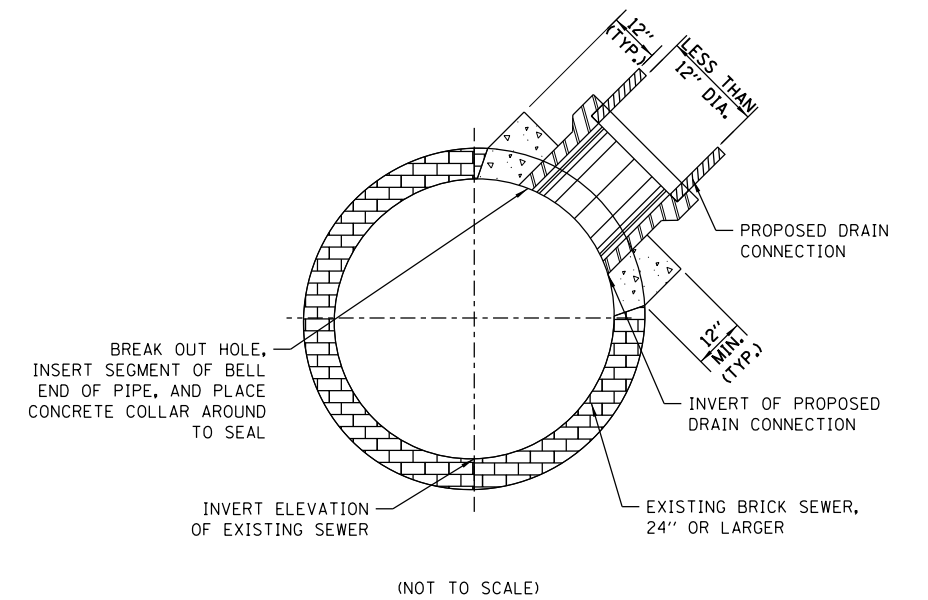
TYPICAL DRAIN STACKS FOR FUTURE USE



FOR MONOLITHIC CONCRETE SEWERS



FOR REINFORCED CONCRETE PIPE SEWERS



FOR BRICK SEWERS

DUCTILE IRON PIPE DRAIN CONNECTIONS

BRICK SEWER DRAIN CONNECTIONS

- NOTES:**
1. DUCTILE IRON PIPE MUST BE BELL END WITH PUSH-ON JOINTS CONFORMING TO ANSI SPECIFICATIONS A21.51 WITH CLASS 52 THICKNESS.
 2. CONNECTIONS AND STACKS SHOWN MUST BE USED FOR 6", 8", & 10" DRAINS ONLY.
 3. FOR VITRIFIED CLAY PIPE DRAIN CONNECTION AND DRAIN STACK CONSTRUCTION, SEE SHEET NO. A.1.
 4. FOR ALL GRANULAR EMBANKMENT, USE CA-7 OR CA11.

STANDARD REVISIONS	
DATE	DESCRIPTION
1/22/14	APPROVED PLAN

PERCENT COMPLETE	DATE
30	
60	
75	
90	
100	
BULLETIN	

CITY OF CHICAGO DEPARTMENT OF WATER MANAGEMENT BUREAU OF ENGINEERING SERVICES		DESIGNED: SDB	A.2
		CHECKED:	
DUCTILE IRON PIPE DRAIN CONNECTIONS		REVIEWED:	OF
			PN



D160W28-sht-CDWM-Detail-01.dgn
USER NAME = ch1ua
PLOT SCALE = 1.0000' / 1" =
PLOT DATE = 3/25/2014

DESIGNED -
DRAWN -
CHECKED -
DATE - 03/28/14

REVISED -
REVISED -
REVISED -
REVISED -

**STATE OF ILLINOIS
DEPARTMENT OF TRANSPORTATION**

**CHICAGO DEPARTMENT OF WATER MANAGEMENT
STANDARD DETAILS**

SCALE: NTS SHEET 1 OF 8 SHEETS STA. TO STA.

F.A.I. RTE. 90/94/290	SECTION 2013-010R	COUNTY COOK	TOTAL SHEETS 747	SHEET NO. 637
ILLINOIS FED. AID PROJECT			CONTRACT NO. 60W28	

FILE PATH = C:\Users\Chun\Desktop\60W28-CRIP-D160W28-sht-CDWM-Detail-01.dgn