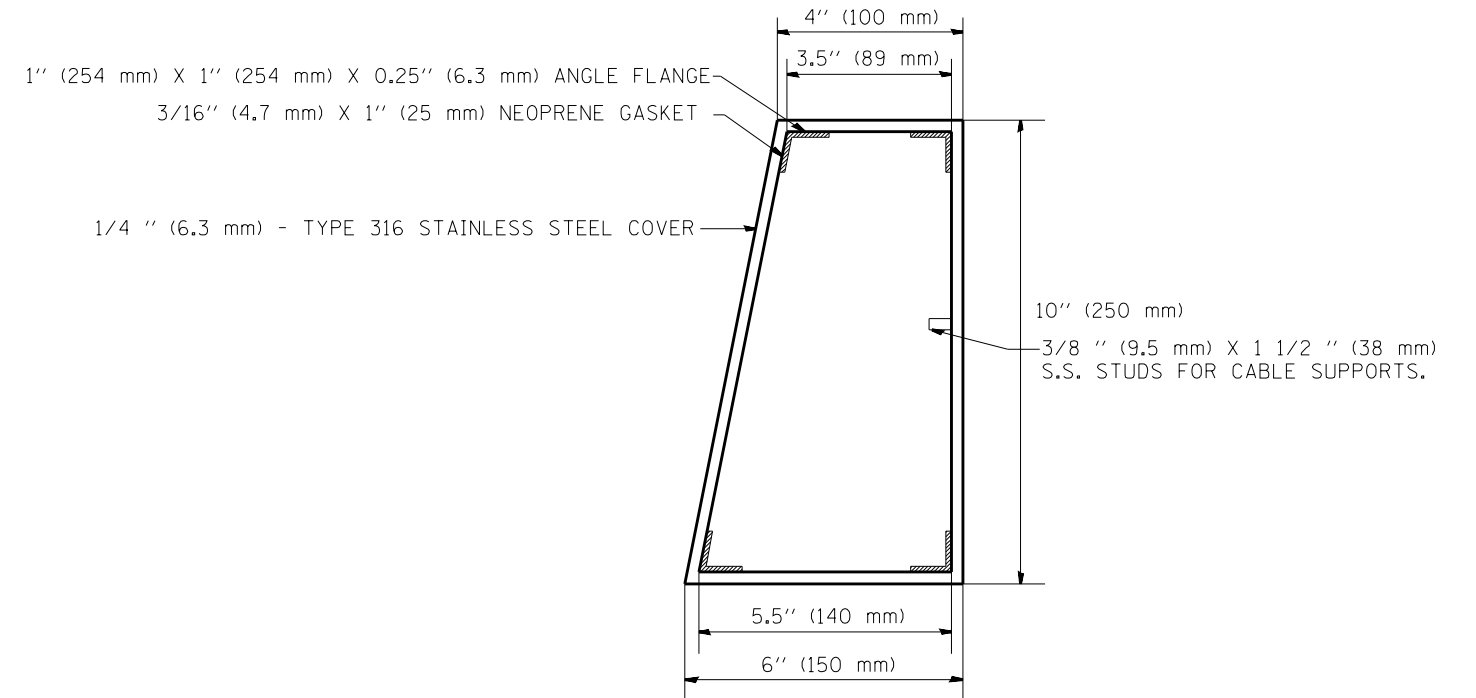
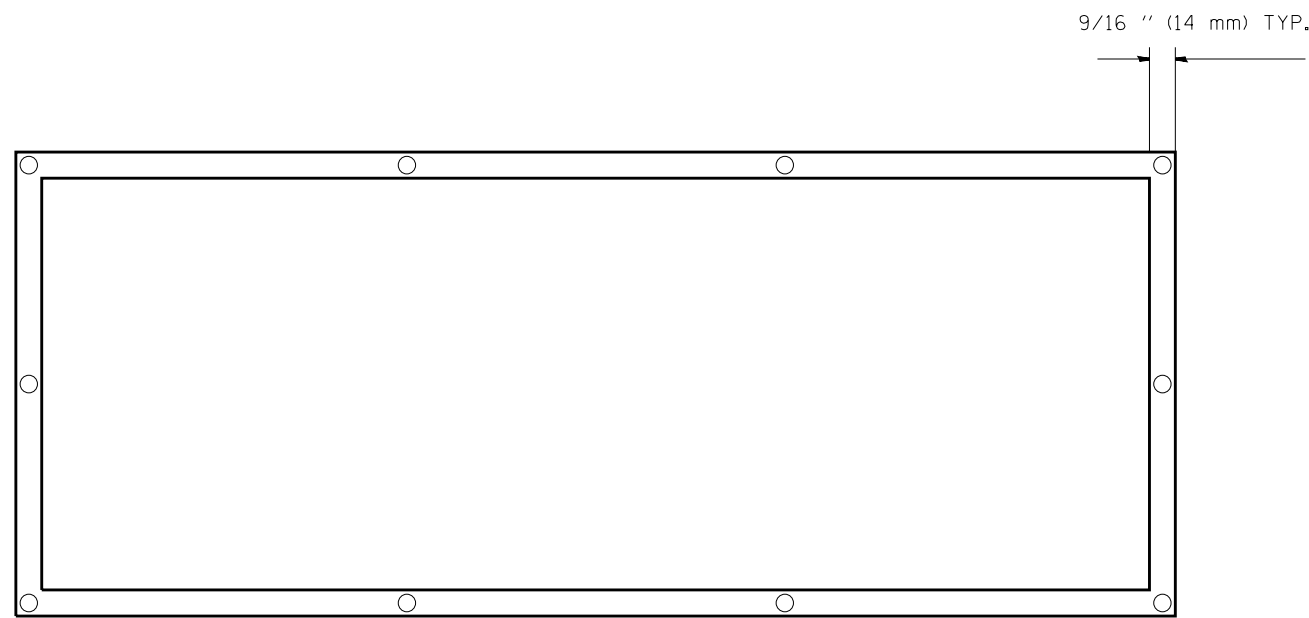


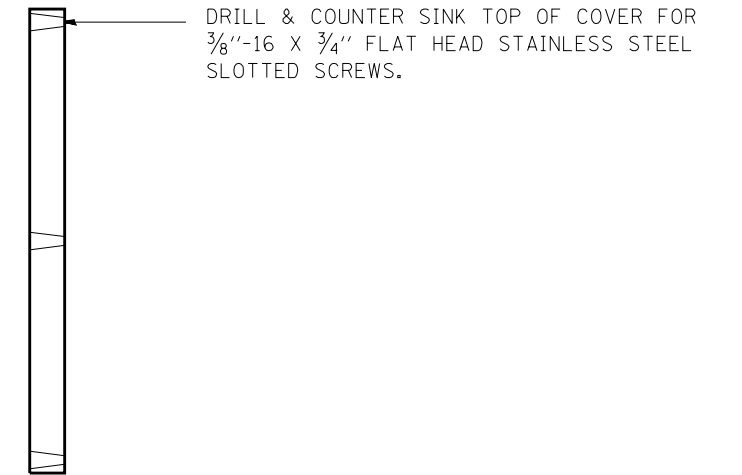
FRONT VIEW



SIDE VIEW



BACK VIEW
OF COVER WITH NEOPRENE GASKET



SIDE VIEW OF COVER

NOTES:

JUNCTION BOXES TO BE CONSTRUCTED OF 1/4 IN. (3 mm) TYPE 316 STAINLESS STEEL.
 ALL WELDS SHALL BE CONTINUOUS AND LEAK PROOF.
 ALL COVERS SHALL BE UNIVERSAL IN FIT.
 TAP ANGLE FLANGE FOR 3/8 IN.-16 X 3/4 IN. SCREW.

FILE NAME =	USER NAME = mezag	DESIGNED - R.L.	REVISED -
et:\pw\work\p\idot\mezag\d0287541\TSCTYP.dgn		DRAWN - G.M.	REVISED -
		CHECKED - R.L.	REVISED -
		DATE - 02/98	REVISED -

STATE OF ILLINOIS
DEPARTMENT OF TRANSPORTATION
TRAFFIC SYSTEMS CENTER

JUNCTION BOX

SCALE: SHEET NO. OF SHEETS STA. TO STA.

F.A. RTE.	SECTION	COUNTY	TOTAL SHEETS	SHEET NO.
			747	636
CONTRACT NO.			60W28	
FED. ROAD DIST. NO. ILLINOIS FED. AID PROJECT				