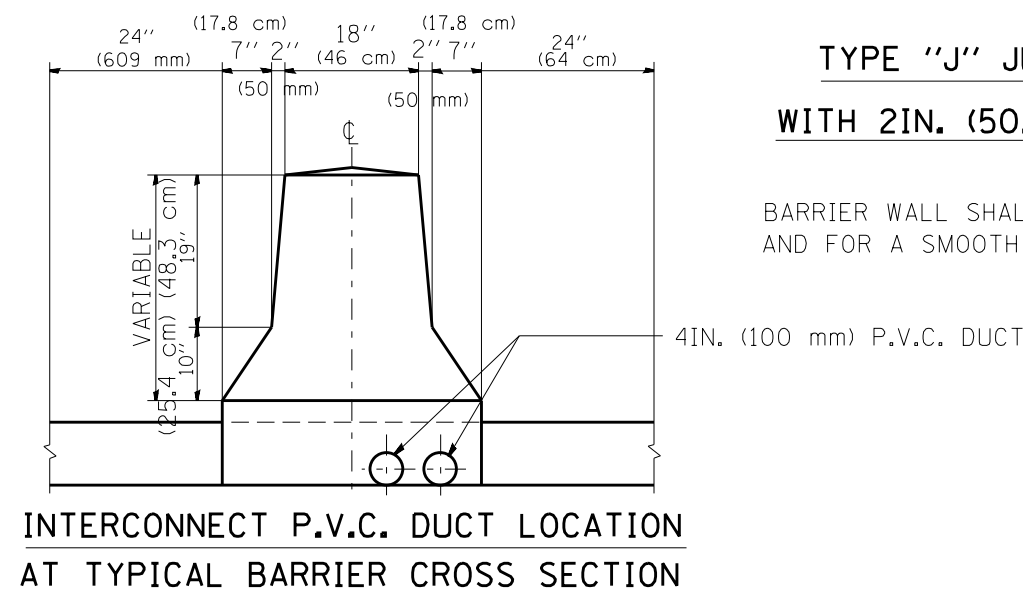


TYPE "J" JUNCTION BOX PLACEMENT
WITH 2IN. (50.0 mm) GS-CONDUIT ACCESS

FRONT VIEW
BARRIER WALL AT BRIDGE PIER
P.V.C. DUCT PLACEMENT



BARRIER WALL SHALL BE GAPPED A MINIMUM OF 15FT. (4.57 m) FOR PROPER PLACEMENT OF JUNCTION BOX TYPE "J" AND FOR A SMOOTH TRANSITION OF 4IN. (100 mm) PVC SURVEILLANCE DUCT(S) FROM BARRIER WALL FOOTER INTO JUNCTION BOX.

FILE NAME =	USER NAME = mezag	DESIGNED - R.L.	REVISED - 06/94	STATE OF ILLINOIS DEPARTMENT OF TRANSPORTATION TRAFFIC SYSTEMS CENTER	TYPE "J" JUNCTION BOX & P.V.C. DUCT PLACEMENT	F.A. RTÉ.	SECTION	COUNTY	TOTAL SHEETS	SHEET NO.	
et:\pw\work\p\idot\mezag\d0287541\TSCTYP.dgn	DRAWN - G.M.	REVISED - 10/96	SCALE: NONE			SHEET NO.	OF SHEETS	STA.	TO STA.	FED. ROAD DIST. NO.	ILLINOIS FED. AID PROJECT
PLOT SCALE = 100.0000' / 1"	CHECKED - R.L.	REVISED -								CONTRACT NO.	60W28
PLOT DATE = 2/7/2013	DATE - 06/22/94	REVISED -									