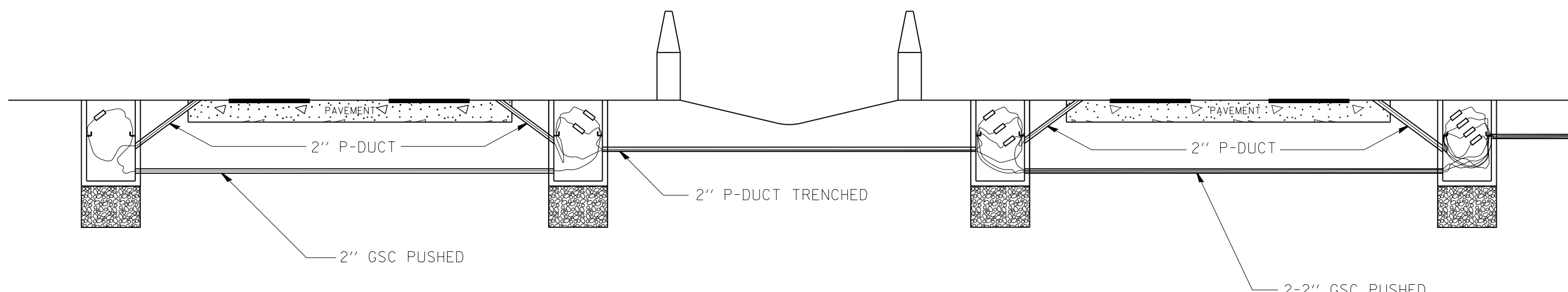
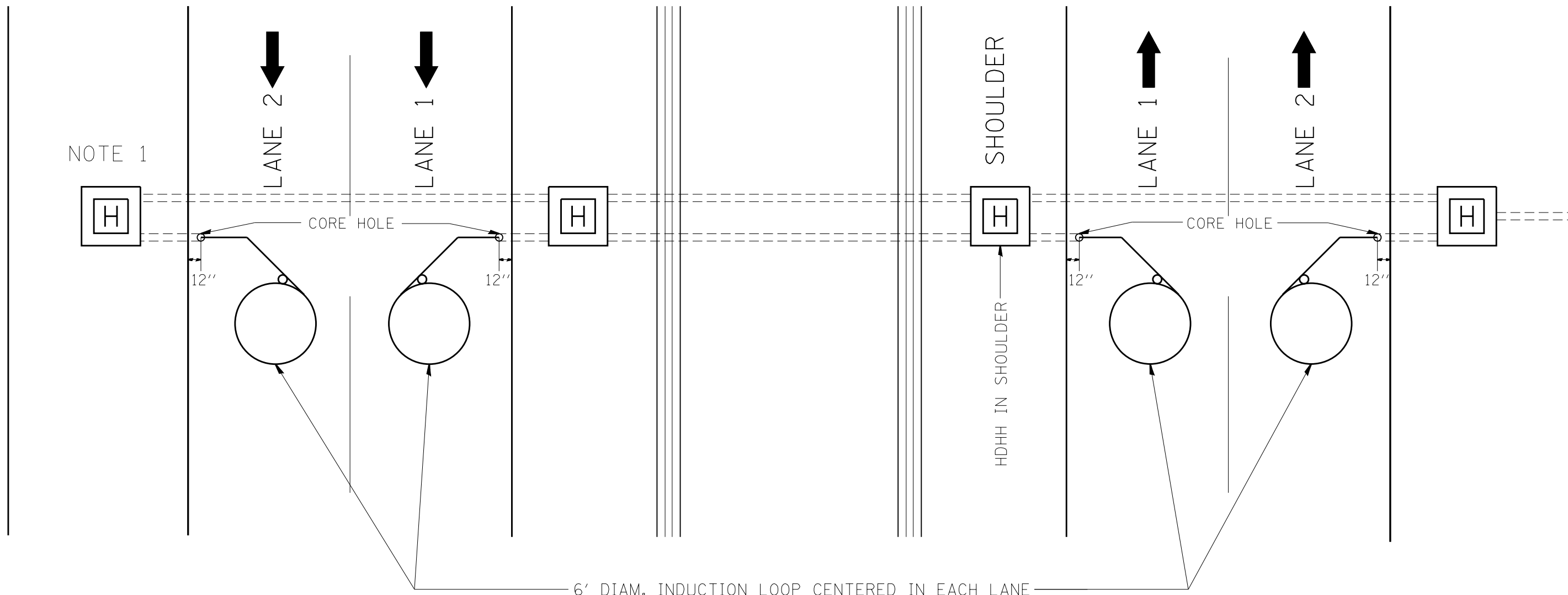


NOTE 1



NOTE 1: IF HDHH NOT POSSIBLE THEN LANE 2 LOOP USES SAME CORE HOLE AS LANE 1 LOOP.

FILE NAME =	USER NAME = mezag	DESIGNED - J.G.	REVISED - 07/27/2010	STATE OF ILLINOIS DEPARTMENT OF TRANSPORTATION TRAFFIC SYSTEMS CENTER	TRAFFIC SURVEILLANCE TWO LANE COUNT STATION			F.A. RTÉ.	SECTION	COUNTY	TOTAL SHEETS	SHEET NO.	
et:\pw\work\p\idot\mezag\d0287541\TSC1P.dgn		DRAWN - G.M.	REVISED -		SCALE: NONE	SHEET NO.	OF SHEETS	STA.	TO STA.			747	632
	PLOT SCALE = 100.0000' / 1in.	CHECKED - J.G.	REVISED -							CONTRACT NO. 60W28			
	PLOT DATE = 2/7/2013	DATE - 07/01/2010	REVISED -							FED. ROAD DIST. NO. ILLINOIS FED. AID PROJECT			