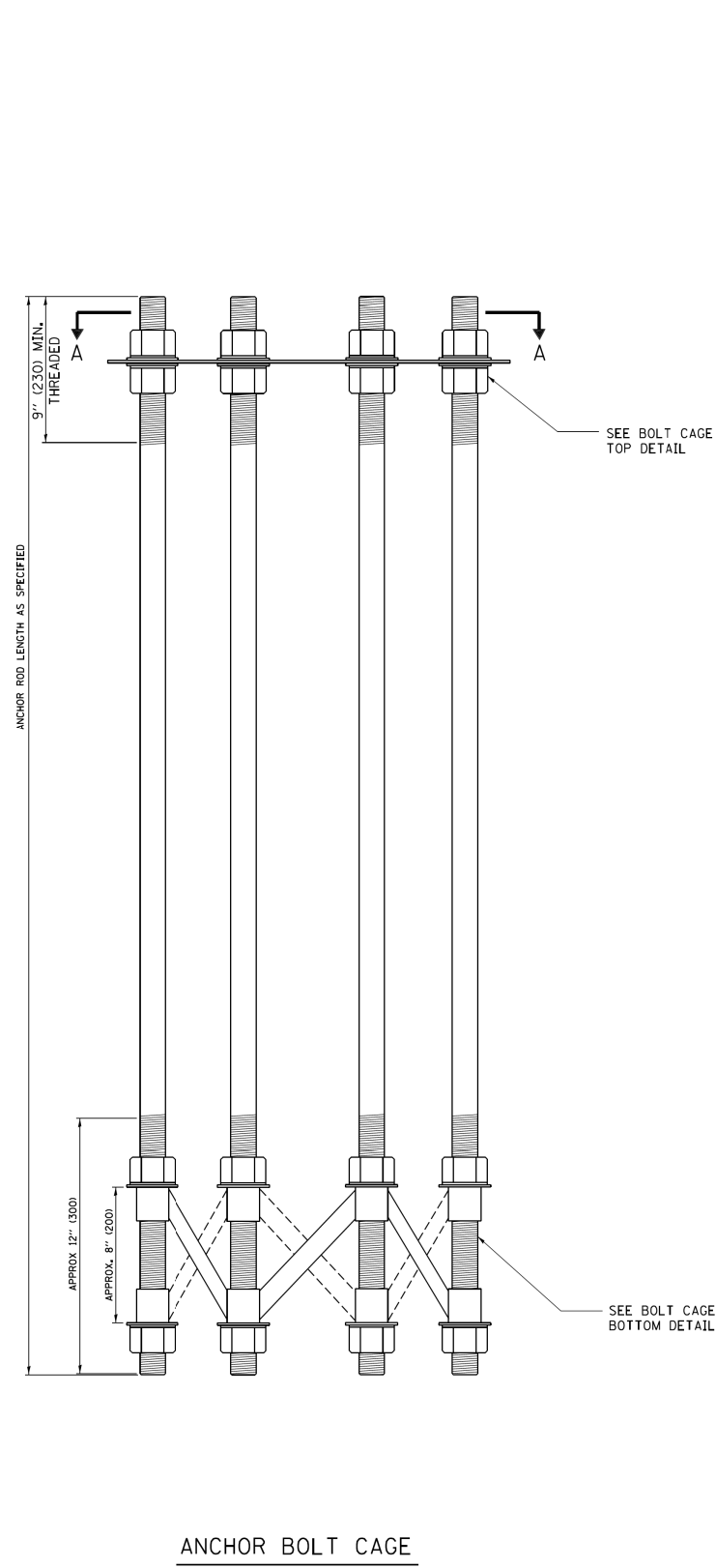
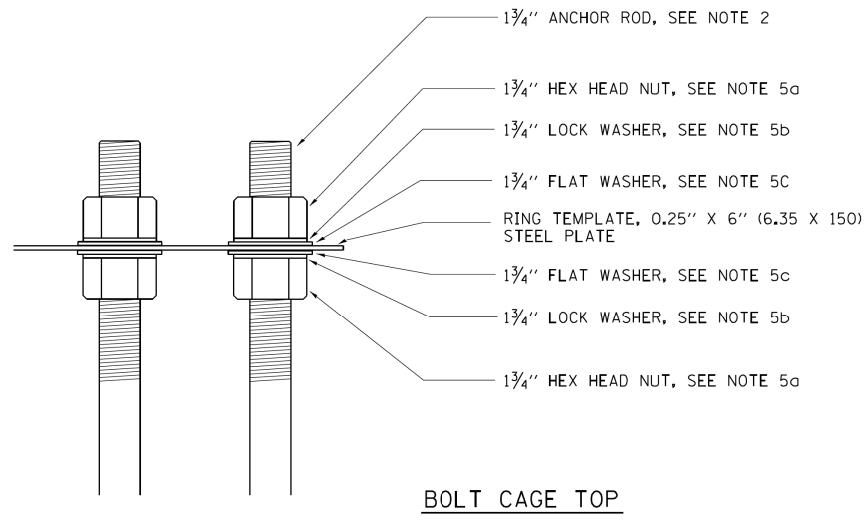


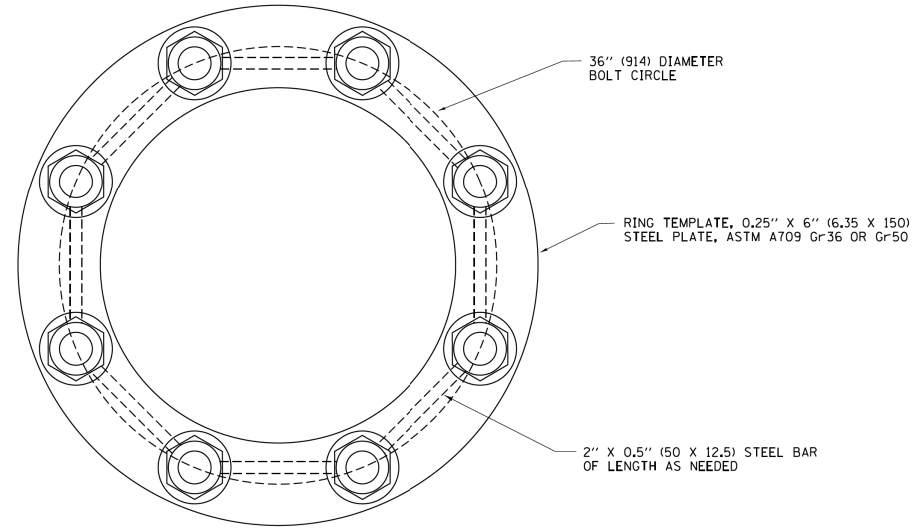
FILE PATH = C:\Project\state\14-0323 - W28 Final PDFs\0160W28-SHT-D1-Detail-BE-506B1.dgn



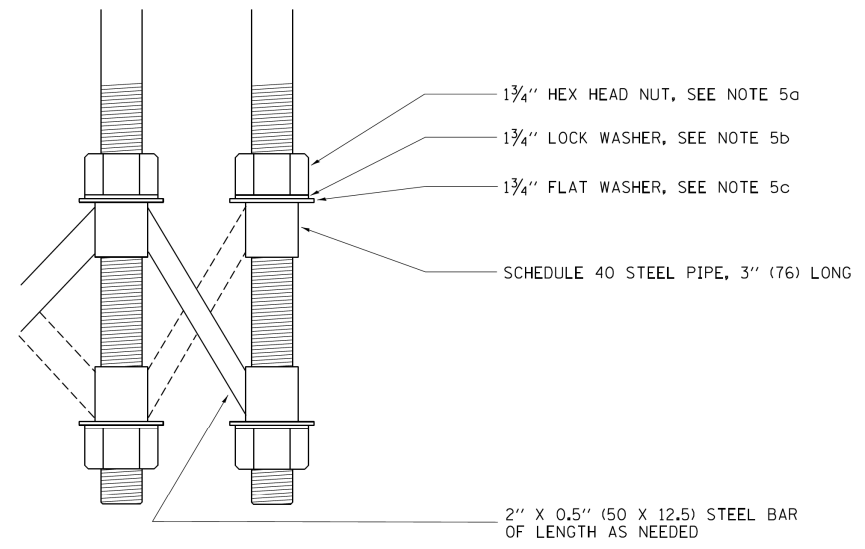
ANCHOR BOLT CAGE



BOLT CAGE TOP



SECTION A-A



BOLT CAGE BOTTOM

NOTES

1. ALL DIMENSIONS IN INCHES (MILLIMETERS) UNLESS OTHERWISE SHOWN
2. ANCHOR RODS SHALL BE STRAIGHT AND SHALL BE ACCORDING TO AASHTO M 314 OR ASTM F1554, GRADE 725 (GRADE 105) AND GALVANIZED ACCORDING TO ARTICLE 1006.09.
3. ANCHOR ROD INFORMATION SHALL BE SUBMITTED FOR APPROVAL AND SHALL BE FULLY COORDINATED WITH TOWER MANUFACTURERS REQUIREMENTS.
4. CUT NUTS, OR JAM NUTS, ARE NOT ALLOWED
5. ANCHOR ROD CAGE HARDWARE SHALL BE IN ACCORDANCE WITH THE FOLLOWING:
 - a) 1 3/4" HEX HEAD NUTS
AASHTO M291, GRADE C, C3, D ,DH OR DH3
HOT DIPPED GALVANIZED AASHTO M 232
 - b) 1 3/4" HELICAL LOCK WASHERS
ANSI/ASME B18.21.1
I.D. 1.758 - 1.778
O.D. 2.596 MAX.
WIDTH 0.383 MIN.
THICKNESS 0.469 MIN.
HARDNESS 26-45 ROCKWELL C
HOT DIPPED GALVANIZED AASHTO M232
 - c) 1 3/4" FLAT WASHERS
AASHTO M293
O.D. 3.25
I.D. 1.875
THICKNESS 0.16 - 0.25
HARDNESS 26-45 ROCKWELL C.
HOT DIPPED GALVANIZED AASHTO M232
6. THE SHAFT LENGTHS SHALL BE BASED ON SOIL BORINGS IN THE PLANS AND OR A DETERMINATION OF SOIL CONDITIONS BY THE ENGINEER.
7. ALL FOUNDATION REINFORCEMENT STEEL SHALL BE EPOXY COATED.
8. THE FOUNDATION SHALL BE POURED MONOLITHICALLY AND SHALL HAVE NO CONSTRUCTION JOINTS.
9. ANCHOR RODS AND ALL ASSOCIATED HARDWARE ARE SHOWN AS MINIMUMS. SIZING SHALL BE DETERMINED BY THE TOWER MANUFACTURER AND APPROVED BY THE ENGINEER. EACH FOUNDATION SHALL HAVE A MINIMUM OF 8 ANCHOR RODS.



D160W28-SHT-D1-Detail-BE-506B1.dgn
 USER NAME = auyeungh
 PLOT SCALE = 50.0000' / in.
 PLOT DATE = 3/24/2014

DESIGNED - R. TOMSONS
 DRAWN -
 CHECKED -
 DATE - 03-12-10

REVISED - 09-02-10
 REVISED - 02-27-13
 REVISED -
 REVISED -

**STATE OF ILLINOIS
 DEPARTMENT OF TRANSPORTATION**

**HIGH MAST LIGHT TOWER
 120 FT TO 140 FT FOUNDATION DETAIL**

SCALE: SHEET 12 OF 40 SHEETS STA. TO STA.

F.A.I. RTE.	SECTION	COUNTY	TOTAL SHEETS	SHEET NO.
90/94/290	2013-010R	COOK	747	596
BE-506b			CONTRACT NO. 60W28	
ILLINOIS FED. AID PROJECT				