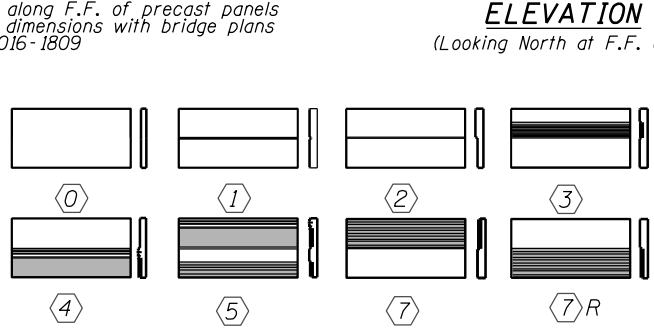
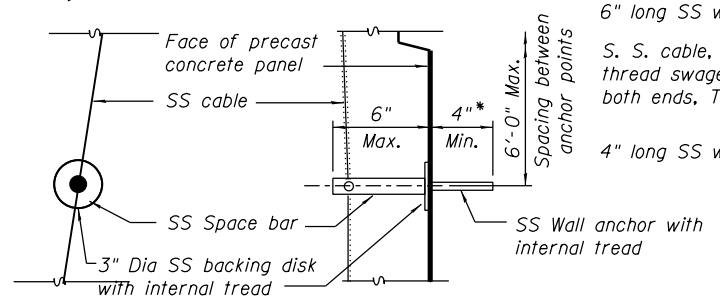


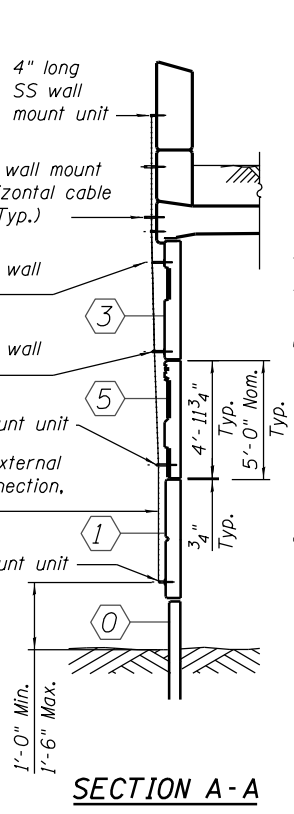
* Measured along F.F. of precast panels
Verify all dimensions with bridge plans
for S.N. 016-1809



PRECAST PANEL TYPES



SS CABLE WALL MOUNT UNIT - TYPICAL DETAIL



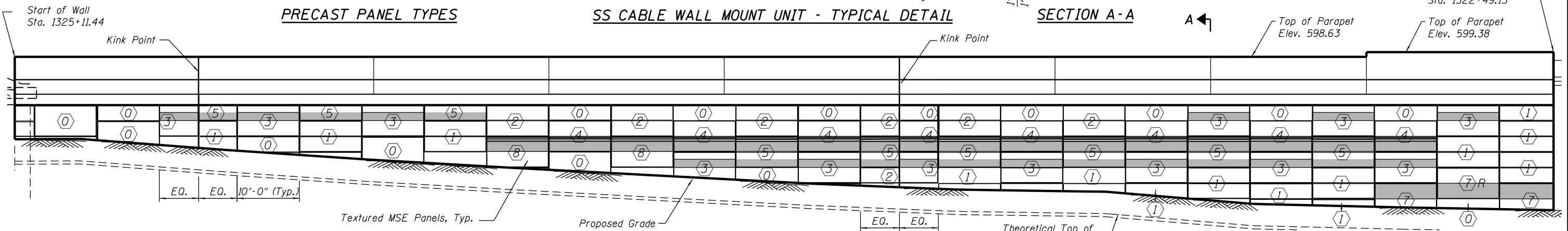
SECTION A-A

Notes:

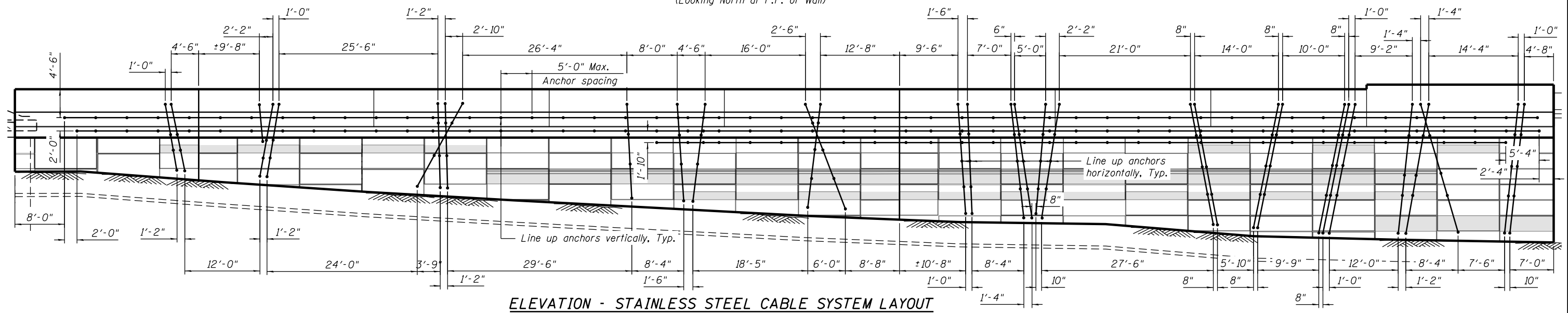
1. Textured formliner for precast panels will not be paid separately and will be included in the cost of the pay item "Mechanical Stabilized Earth Retaining Wall, Special"
2. For precast panel details and formliners see drawing RW1-11 of Retaining Wall 1 (S.N. 016-1720) plans.
3. Stainless steel cable system will be paid at a lump sum price for "Stainless Steel Cable Plant Support System" per wall.
4. Locate bottom anchor 1'-0" minimum to 1'-6" maximum above finished grade.
5. Line up anchors as shown on elevation where possible, maintaining 6'-0" maximum spacing between anchor points.
6. Use 4" and 6" long SS space bars. Alternate size depending on location, to maintain straight vertical cable as much as possible. At top precast panel use 6" long space bar, typ. At raised area of precast panel use 4" long space bar, unless it is top panel. At recessed area of precast panel use 6".
7. Drilled holes for trellis wall anchors to be at least 6" away from the tie strip that connects the MSE panel to the ground reinforcement. Coordinate with the MSE manufacturer for other requirements.
8. Coordinate / verify all dimensions with structural drawings.

BILL OF MATERIAL

Item	Unit	Total
Stainless Steel Cable Plant Support System	L. Sum	0.38



ELEVATION - PRECAST PANEL LAYOUT
(Looking North at F.F. of Wall)



ELEVATION - STAINLESS STEEL CABLE SYSTEM LAYOUT
(Looking North at F.F. of Wall)



USER NAME = kohastings	DESIGNED - KAH	REVISED -
PLOT SCALE = 2x @ 1" / Ft.	CHECKED - WJC	REVISED -
PLOT DATE = 4/28/2014	DRAWN - KAH	REVISED -
	CHECKED - WJC	REVISED -

**STATE OF ILLINOIS
DEPARTMENT OF TRANSPORTATION**

**ARCHITECTURAL DETAILS
STRUCTURE NO. 016-1809**

SHEET NO. RW40-05 OF RW40-12 SHEETS

F.A.I. RTE. 90/94	SECTION 2013-010R	COUNTY COOK	TOTAL SHEETS 747	SHEET NO. 572
CONTRACT NO. 60W28			ILLINOIS FED. AID PROJECT	

955607 AM - c:\pwworking\king_oecoming\d0264557\0161809-60W28-505-ArchDetail.dgn