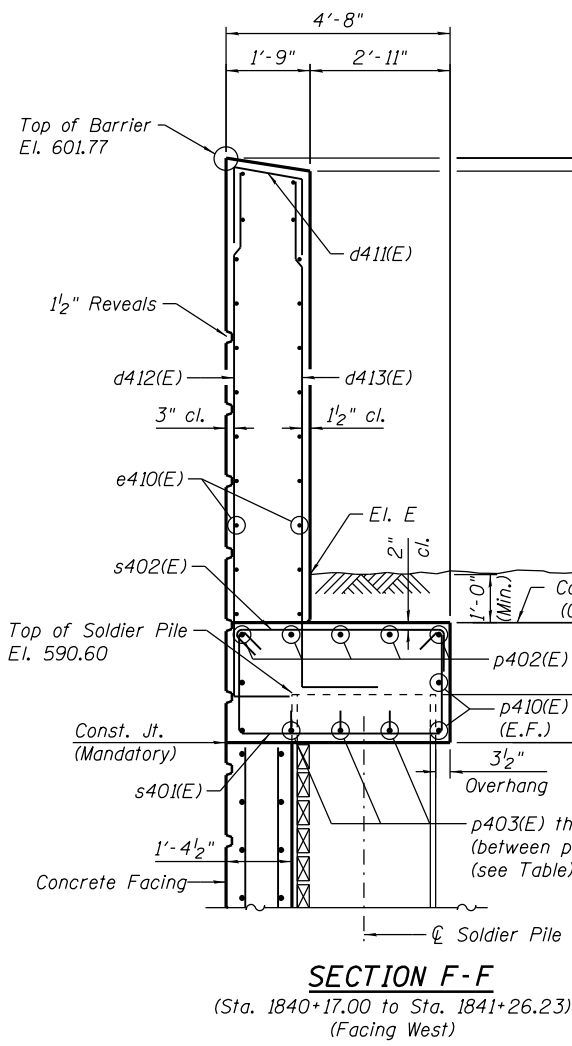
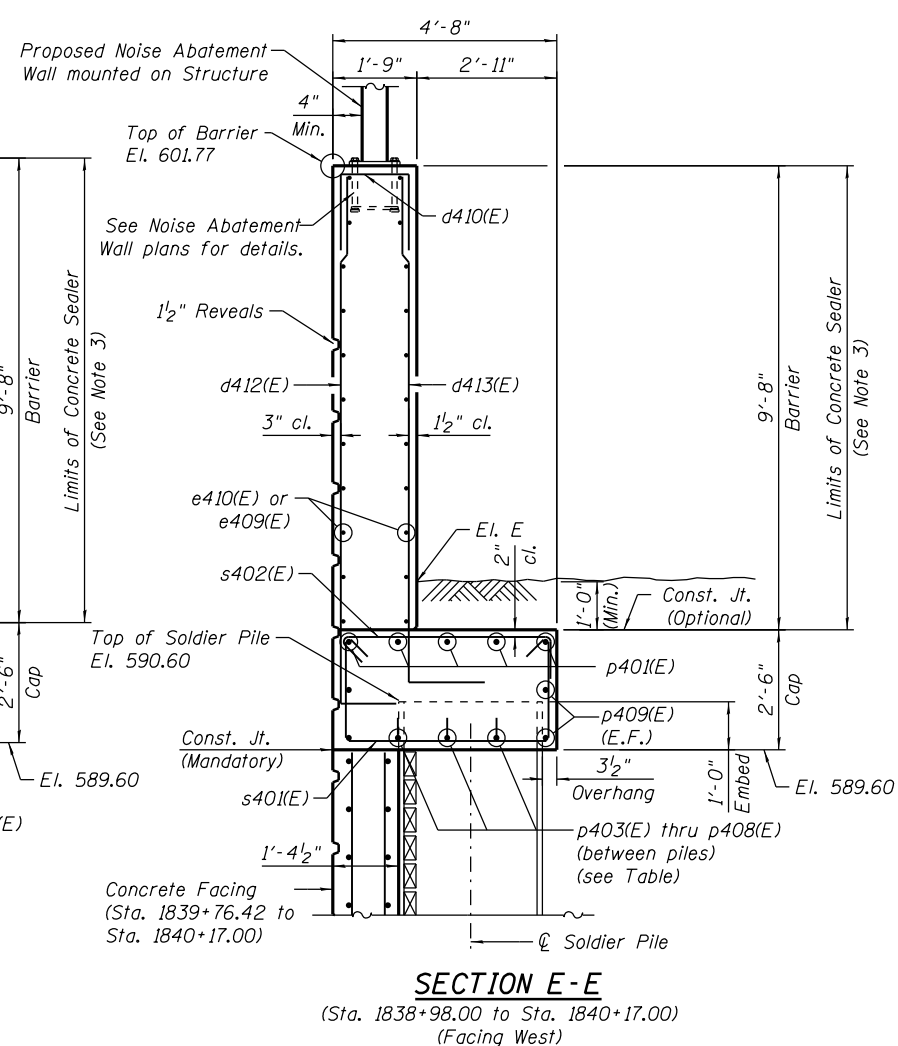


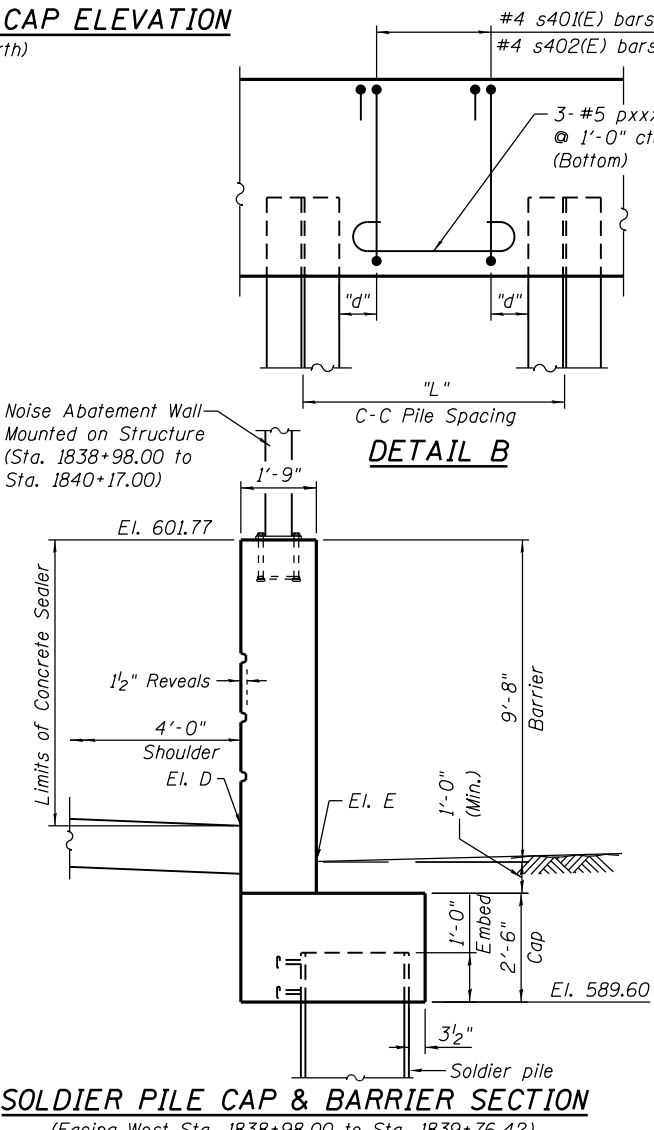
SOLDIER PILE WALL CAP ELEVATION
(Facing North)



SECTION F-F
(Sta. 1840+17.00 to Sta. 1841+26.23)
(Facing West)



SECTION E-E
(Sta. 1838+98.00 to Sta. 1840+17.00)
(Facing West)



SOLDIER PILE CAP & BARRIER SECTION
(Facing West Sta. 1838+98.00 to Sta. 1839+76.42)

"L"	"d"	No. Locations	Bottom Bars	No. s401(E) & s402(E) bars
8'-0"	6"	18	p403(E)	7
7'-0"	6"	5	p404(E)	6
6'-0"	6"	4	p405(E)	5
5'-9 1/4"	4 5/8"	1	p406(E)	5
5'-3"	7 1/2"	1	p407(E)	4
5'-2 3/4"	7 3/8"	1	p407(E)	4
4'-0"	6"	1	p408(E)	3

SOLDIER PILE CAP REINFORCEMENT TABLE

NOTES:

- See Sheets RW4-07 and RW4-08 for Pile Spacing and Concrete Facing details.
- Bars noted thus, 7x3-#4 indicates 7 lines of #4 bars with 3 lengths per line.
- Concrete Sealer is applied to front face of cap and front, top, and back faces of barrier.
- Min. Bar Lap:
#4 bars = 2'-7"
#5 bars = 3'-3"
- Bend e406(E), p402(E), and p410(E) bars in field to fit around kink in cap and barrier.
- See sheet RW4-11 for reveal layout and details.
- Expansion and Construction Joints in cap and barrier shall align with same in Concrete Facing. Cost of joint treatments is included in Concrete Structures pay item.
- For elevations D and E, see sheet RW4-02.

BILL OF MATERIAL

Item	Unit	Quantity
Concrete Structures	Cu. Yd.	158
Concrete Sealer	Sq. Ft.	5,387



USER NAME = dunkerleyb	DESIGNED - DEV	REVISED
PLOT SCALE = N.T.S.	CHECKED - ATB	REVISED
PLOT DATE = 4/28/2014	DRAWN - BRD	REVISED
	CHECKED - EJO	REVISED

STATE OF ILLINOIS
DEPARTMENT OF TRANSPORTATION

SOLDIER PILE CAP & BARRIER
STRUCTURE NO. 016-1723
SHEET NO. RW4-090F RW4-15 SHEETS

F.A.I. R.T.E. 90/94/290	SECTION 2013-010R	COUNTY COOK	TOTAL SHEETS 747	SHEET NO. 563
CONTRACT NO. 60W28			ILLINOIS FED. AID PROJECT -NUMBER-	

0161723-60W28-509-Parapet