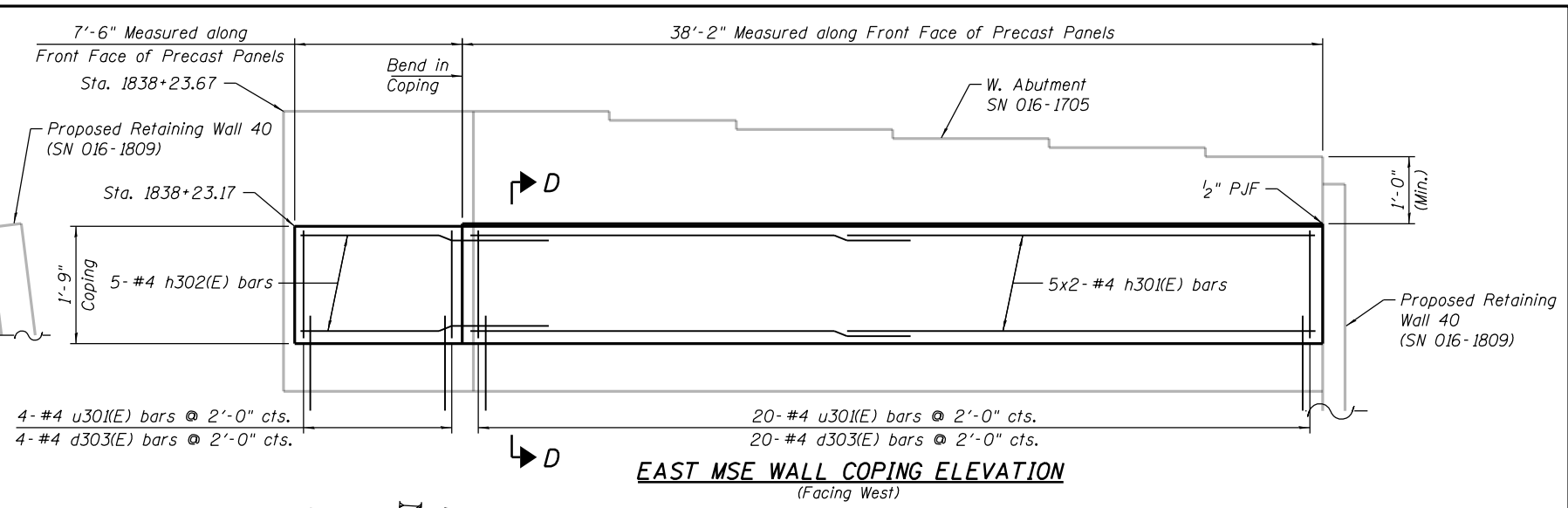
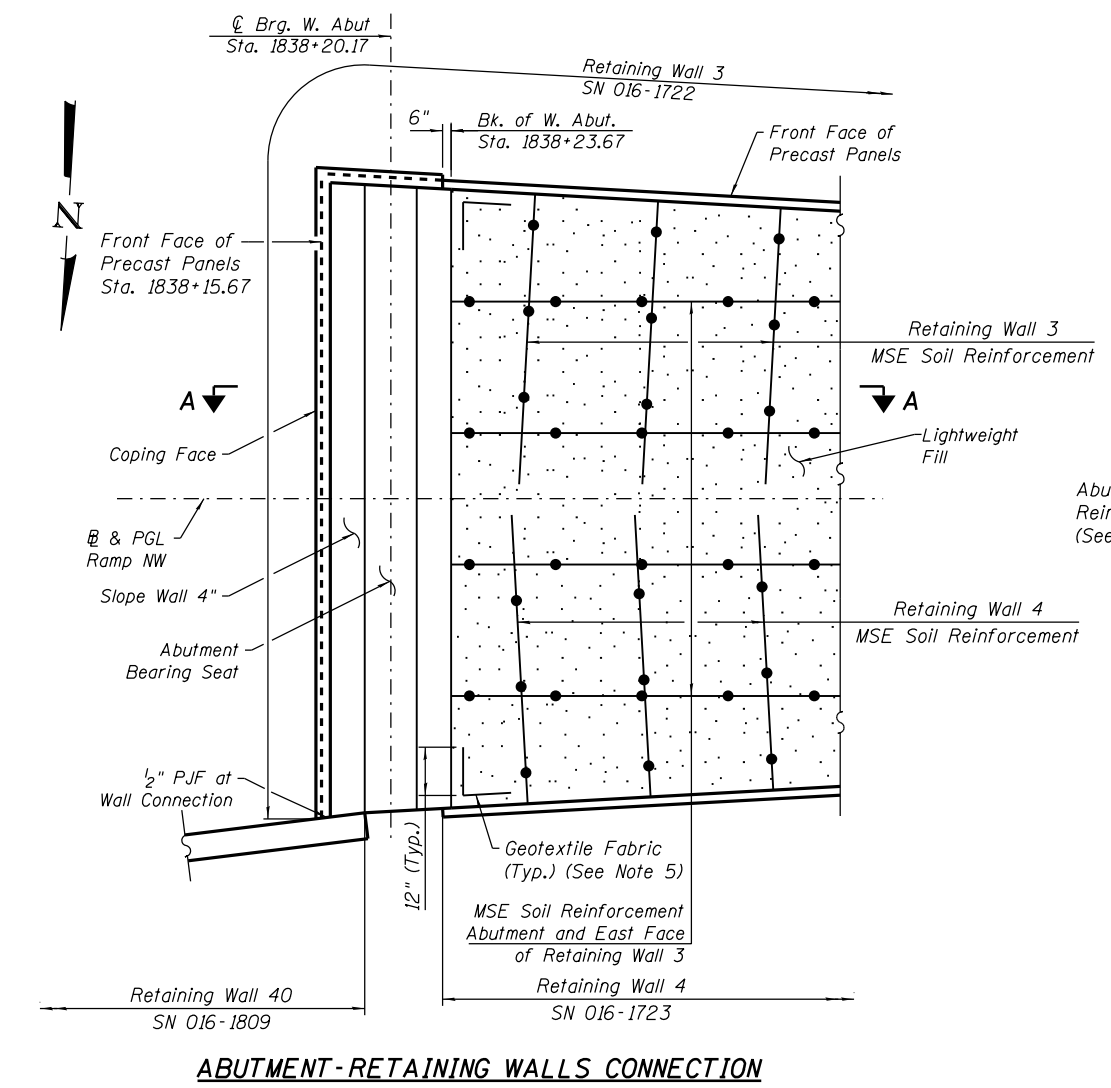


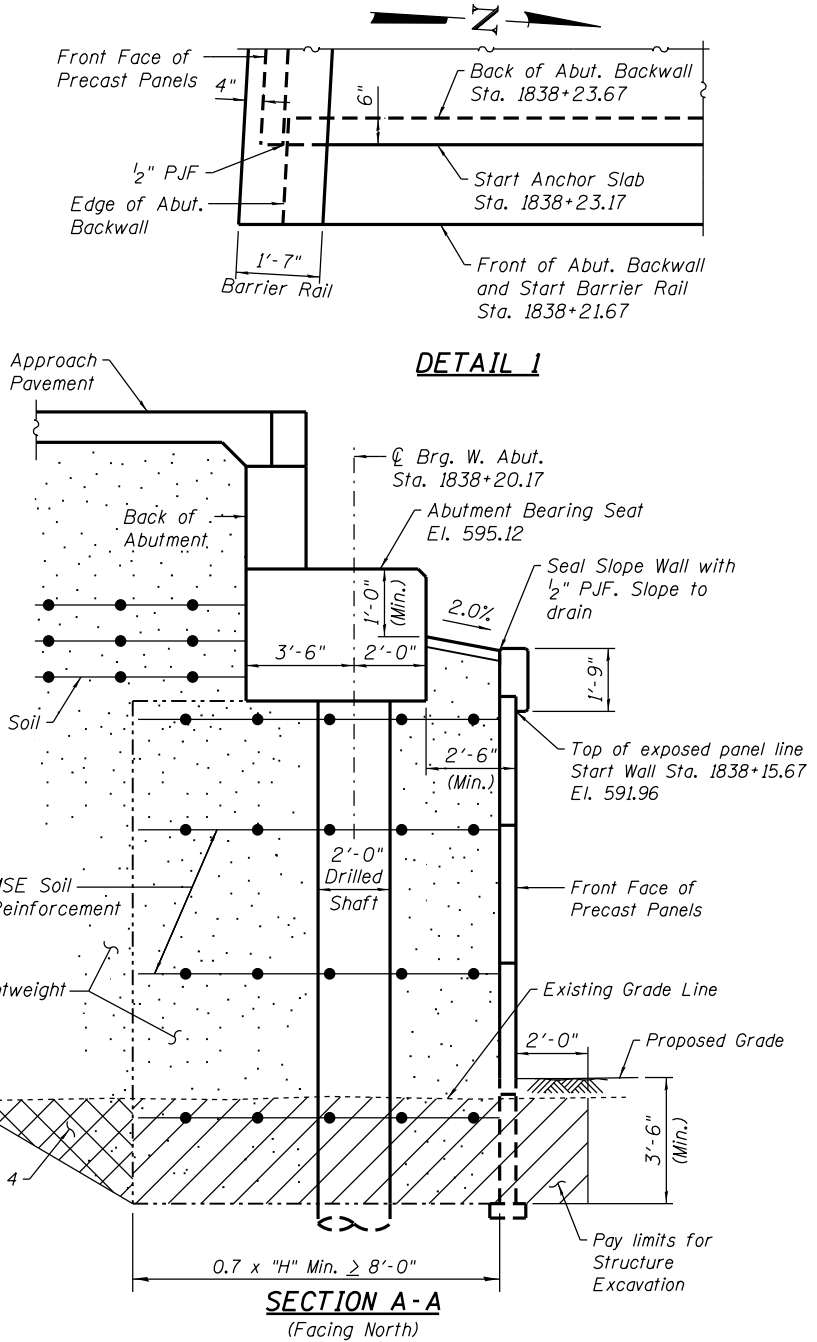
EAST MSE WALL COPING PLAN



EAST MSE WALL COPING ELEVATION
(Facing West)

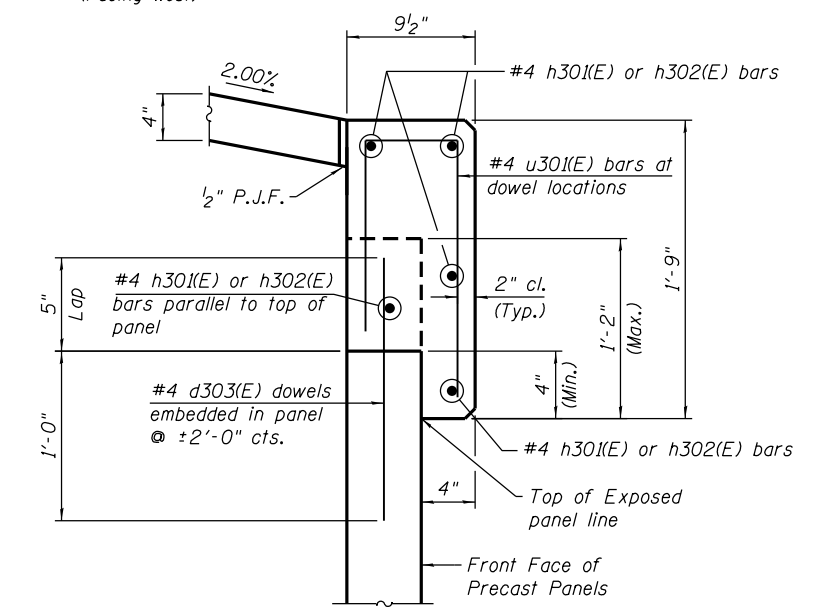


ABUTMENT-RETAINING WALLS CONNECTION



DETAIL 1

SECTION A-A
(Facing North)



MSE COPING SECTION D-D

NOTES:

- Anchor Slab ends at Sta. 1838+23.17 where it overlaps the abutment backwall by 6". Barrier Rail ends at Sta. 1838+21.67 at front of abutment backwall. See Detail 1.
- The MSE wall supplier shall design the abutment cap soil reinforcement to resist a horizontal force of 2.7 k/ft of abutment. Cost included in cost of Mechanically Stabilized Earth Retaining Wall, Special.
- See West Abutment sheets for abutment details.
- Overexcavation beyond limits of Structure Excavation not measured for payment. Additional Lightweight Fill or Aggregate Column Ground Improvement in overexcavation area also not measured for payment.
- Cost of Geotextile Fabric is included in cost of Mechanically Stabilized Earth Retaining Wall, Special.
- 1/2" P.J.F. is installed by Standard 1051.09. Cost is included in Slope Wall 4".
- Bars noted thus, 7x3-#4 indicates 7 lines of #4 bars with 3 lengths per line.

0161722-60W28-505-Parapet



USER NAME = dunkerleyb	DESIGNED - DEV	REVISED
	CHECKED - ATB	REVISED
PLOT SCALE = N.T.S.	DRAWN - BRD	REVISED
PLOT DATE = 4/28/2014	CHECKED - EJO	REVISED

STATE OF ILLINOIS
DEPARTMENT OF TRANSPORTATION

MSE WRAP AROUND DETAILS
STRUCTURE NO. 016-1722
SHEET NO. RW3-050F RW3-12 SHEETS

F.A.I. R.E. 90/94/290	SECTION 2013-010R	COUNTY COOK	TOTAL SHEETS 747	SHEET NO. 549
CONTRACT NO. 60W28			ILLINOIS FED. AID PROJECT -NUMBER-	