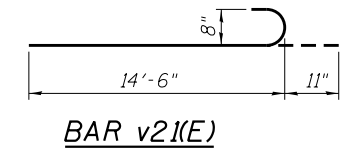
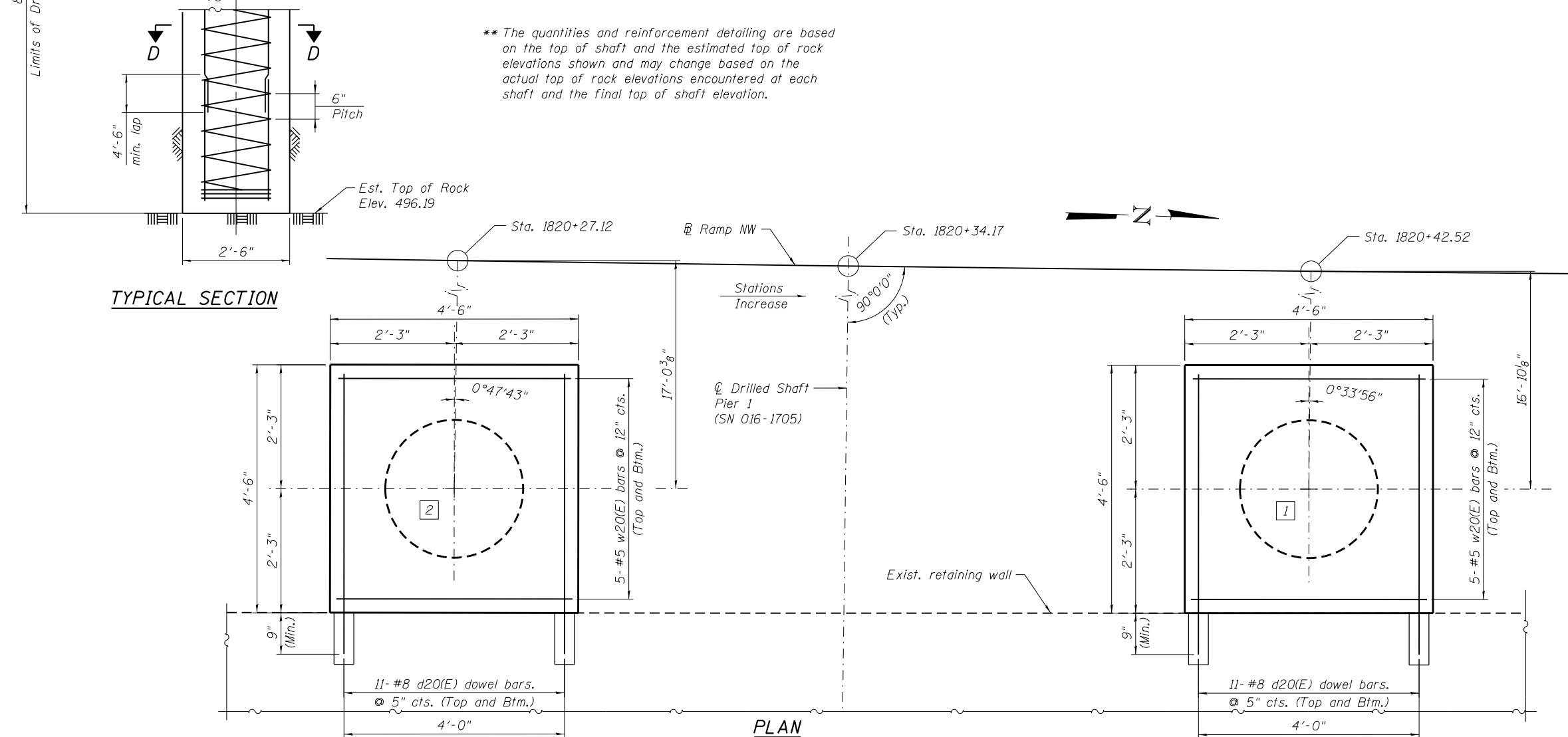


- NOTES:**
1. Drill and Grout d20(E) into the Concrete to 1/4" larger in dia. than the diameter of the bar used with a Minimum Depth of 9 Inches in accordance with Section 584 of the Standard Specifications. Cost included with Reinforcement Bars. Epoxy Coated pay item.
  2. Work this sheet with Sheet RW2-11.

- LEGEND:**
- Cut Existing Steel Pile
  - Drill thru Existing Steel Pile
  - Proposed Drilled Shaft number

\*\* The quantities and reinforcement detailing are based on the top of shaft and the estimated top of rock elevations shown and may change based on the actual top of rock elevations encountered at each shaft and the final top of shaft elevation.



**BILL OF MATERIAL**

Bar	No.	Size	Length	Shape	
d20(E)	44	#8	5'-1"	—	
sp20	2	#4	81'-9"	~	
v20	44	#8	40'-0"	—	
v21(E)	22	#8	15'-5"	U	
w20(E)	20	#5	4'-2"	—	
Structure Excavation				Cu. Yd.	68
Concrete Structures				Cu. Yd.	4
Reinforcement Bars				Pound	6080
Reinforcement Bars, Epoxy Coated				Pound	1590
Drilled Shaft In Soil				Cu. Yd.	30

\* Length is height of spiral.

016Z024-60W28-RW2-12



USER NAME = dunkerleyb	DESIGNED - ATB	REVISED
PLOT SCALE = N.T.S.	CHECKED - EJO	REVISED
PLOT DATE = 3/20/2014	DRAWN - MRK	REVISED
	CHECKED - ATB	REVISED

**STATE OF ILLINOIS  
DEPARTMENT OF TRANSPORTATION**

**FOUNDATION DETAILS - IV  
STRUCTURE NO. 016-2024**

SHEET NO. RW2-12 OF RW2-12 SHEETS

F.A.I. RTE. 90/94/290	SECTION 2013-010R	COUNTY COOK	TOTAL SHEETS 747	SHEET NO. 544
CONTRACT NO. 60W28			ILLINOIS FED. AID PROJECT	