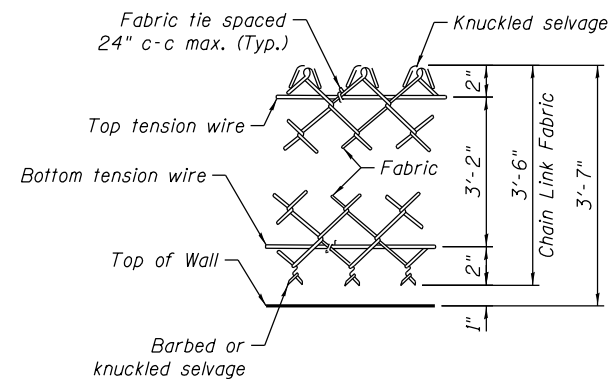
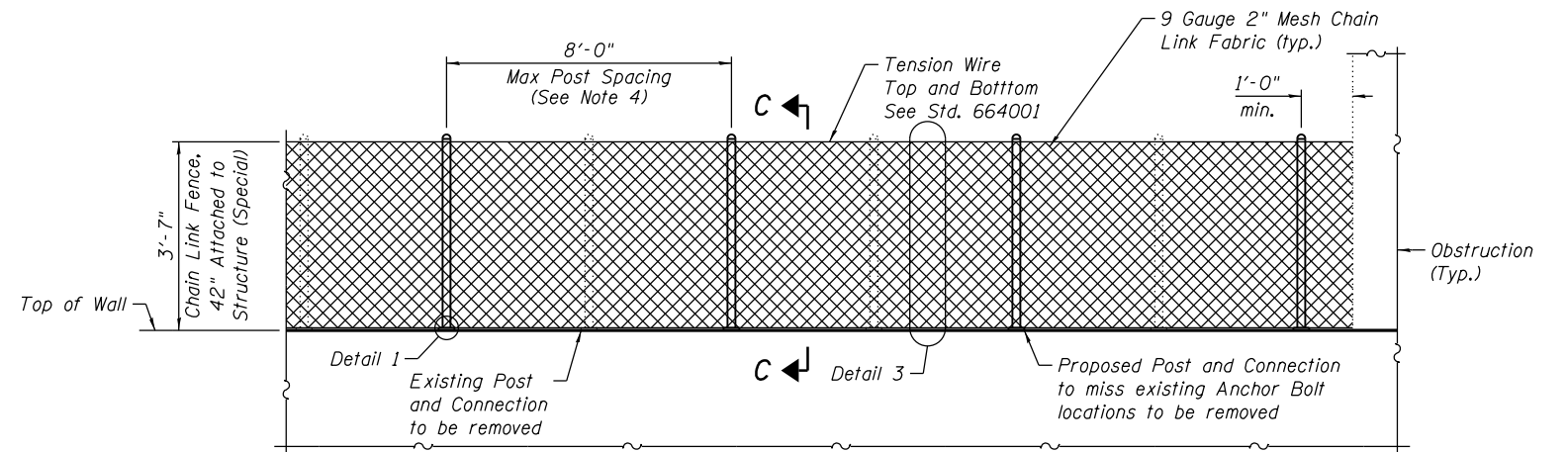


SECTION C-C

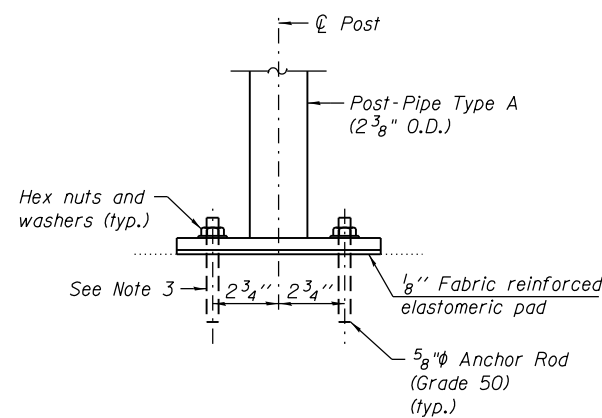


DETAIL 3

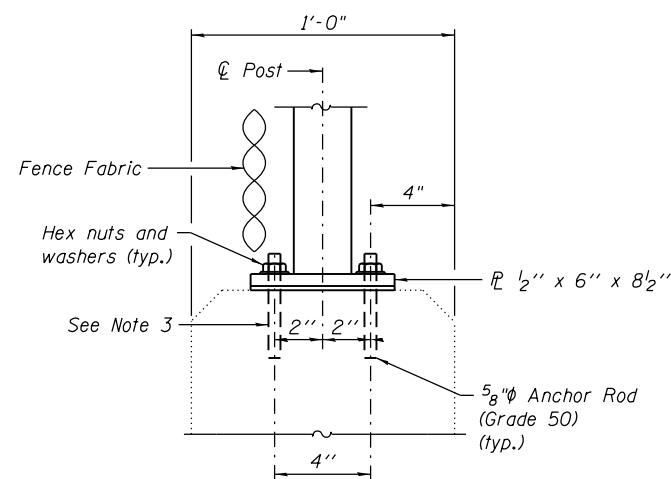


TYPICAL FRONT FACE ELEVATION

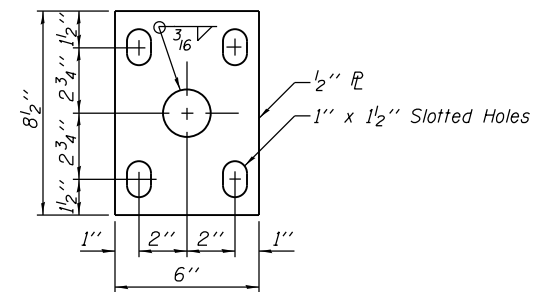
(From Sta. 1808+66.41 to 1818+45.67
Sta. 1820+36.40 to 1824+66.01)



DETAIL 1



DETAIL 2



BASE PL

BILL OF MATERIAL

ITEM	UNIT	TOTAL
Chain Link Fence 42" Attached to Structure (Special)	FOOT	1,409

NOTES:

- For additional chain link fence details, see Standard 664001.
- Base plate and anchor bolts shall be included with Chain Link Fence, 42" Attached to Structure (Special) pay item.
- The Contractor shall drill and set anchor rods according to Article 509.06 of the Standard Specifications. Embedment shall be according to the manufacturer's specifications.
- Contractor shall field locate Existing Fence Post locations prior to Fence Removal. Contractor shall determine final post spacing to miss location of existing fence post anchor bolts and submit shop drawings to the Department for approval prior to fence construction.
- Anchor Rods shall be ASTM F1554 all-thread (or an Engineer-approved alternate material) of the grade and diameter specified. The corresponding specified grade of AASHTO M314 Anchor Rods may be used in lieu of ASTM F1554.
- Base Plates shall be structural steel conforming to requirements of AASHTO M270.
- All Fence elements shall be coated according to the special provision for "Chain Link Fence, 42" Attached to Structure (Special)". See special provisions.

ANCHOR BOLT DETAILS



USER NAME = Kritzm	DESIGNED - ATB	REVISED
	CHECKED - EJO	REVISED
PLOT SCALE = N.T.S.	DRAWN - MRK	REVISED
PLOT DATE = 4/28/2014	CHECKED - ATB	REVISED

STATE OF ILLINOIS
DEPARTMENT OF TRANSPORTATION

FENCE DETAILS
STRUCTURE NO. 016-2024

SHEET NO. RW2-09 OF RW2-09 SHEETS

F.A.I. RTE.	SECTION	COUNTY	TOTAL SHEETS	SHEET NO.
90/94/290	2013-010R	COOK	747	541
CONTRACT NO.			60W28	
ILLINOIS FED. AID PROJECT				

0162024-60W28-RW2-9