

**REFLECTED ELEVATION (STATION 1813+56.19 TO 1812+05.83)**  
(Looking West)

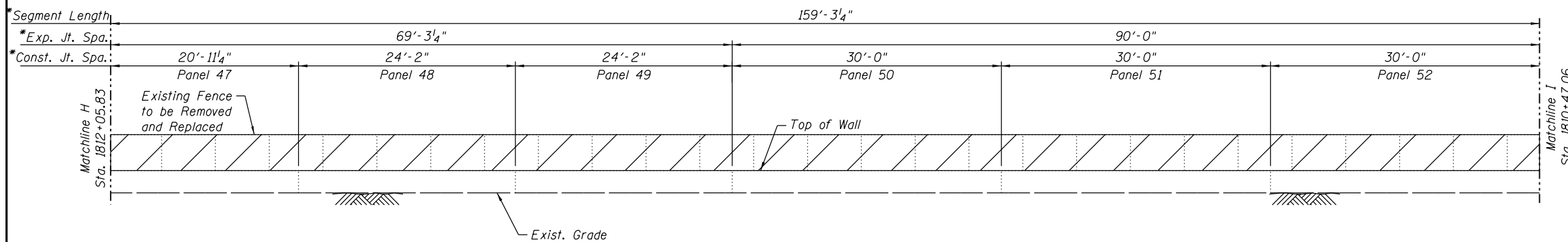
\*Measured along Back Face of Wall

**NOTES:**

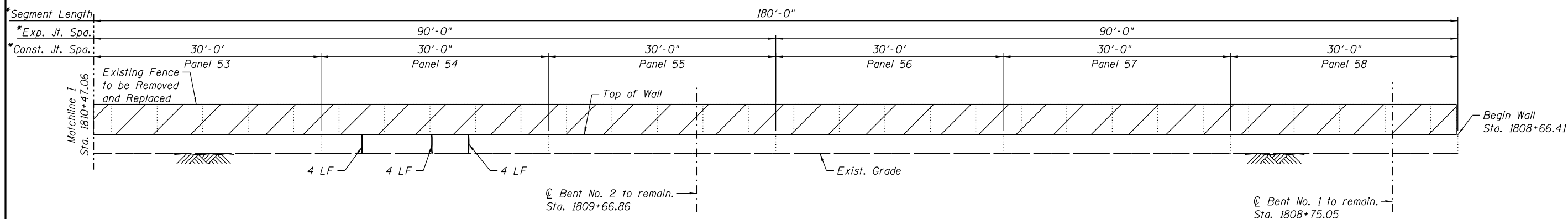
1. Foundations not shown for clarity.

**LEGEND**

- Epoxy Crack Injection
- Fence Removal



**REFLECTED ELEVATION (STATION 1812+05.83 TO 1810+47.06)**  
(Looking West)



**REFLECTED ELEVATION (STATION 1810+47.06 TO 1808+66.41)**  
(Looking West)

016Z024-60W28-RW2-8.dgn



USER NAME = kritzm	DESIGNED - ATB	REVISED
	CHECKED - EJO	REVISED
PLOT SCALE = N.T.S.	DRAWN - MRK	REVISED
PLOT DATE = 4/28/2014	CHECKED - ATB	REVISED

STATE OF ILLINOIS  
DEPARTMENT OF TRANSPORTATION

BACK OF WALL ELEVATIONS - III  
STRUCTURE NO. 016-2024

SHEET NO. RW2-08 OF RW2-09 SHEETS

F.A.I. RTE.	SECTION	COUNTY	TOTAL SHEETS	SHEET NO.
90/94/290	2013-010R	COOK	747	540
CONTRACT NO.			60W28	
ILLINOIS FED. AID PROJECT				