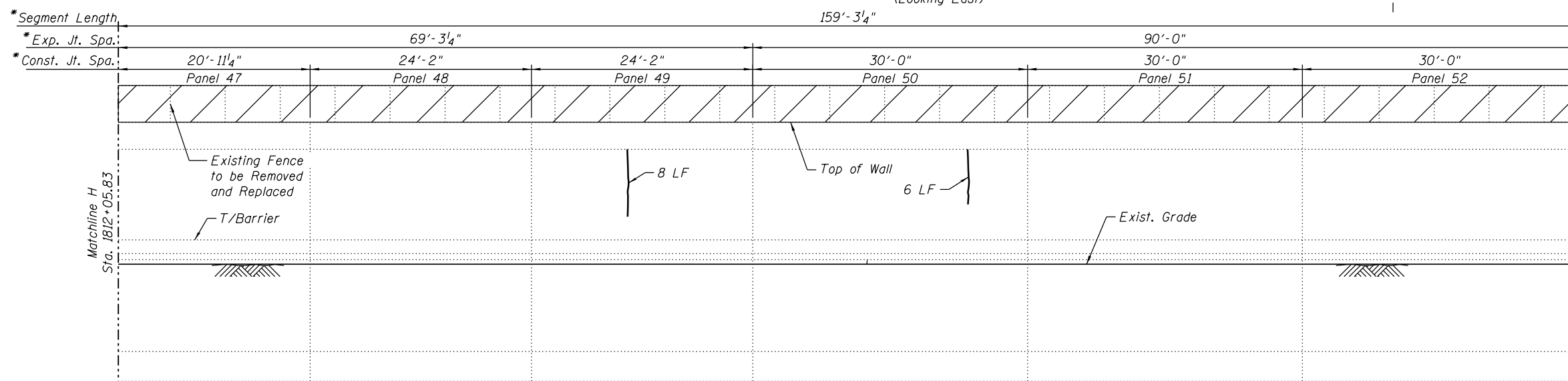


ELEVATION (STATION 1813+56.19 TO 1812+05.83)

(Looking East)

Ⓞ High Mast to remain.
Sta. 1812+16.24

*Measured along Front Face of Wall



ELEVATION (STATION 1812+05.83 TO 1810+47.06)

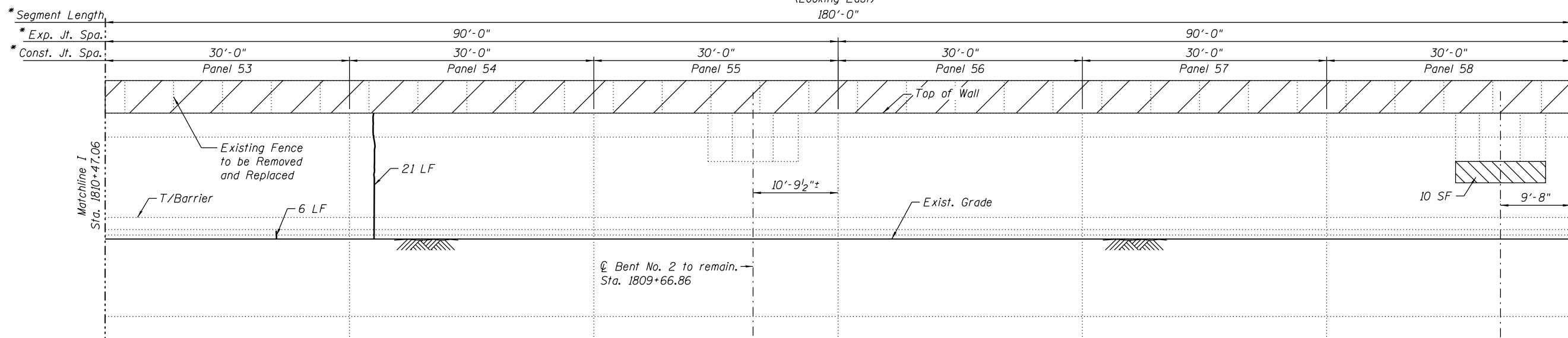
(Looking East)

NOTES:

1. Foundations not shown for clarity.

LEGEND

- Area of Structural repair of Concrete (Depth greater than 5 in.)
- Area of Structural repair of Concrete (Depth equal to or less than 5 in.)
- Epoxy Crack Injection
- Fence Removal



ELEVATION (STATION 1810+47.06 TO 1808+66.41)

(Looking East)

Ⓞ Bent No. 1 to remain.
Sta. 1808+75.05

Begin Wall
Sta. 1808+66.41



USER NAME = kritzm	DESIGNED - ATB	REVISED
	CHECKED - EJO	REVISED
PLOT SCALE = N.T.S.	DRAWN - MRK	REVISED
PLOT DATE = 4/28/2014	CHECKED - ATB	REVISED

STATE OF ILLINOIS
DEPARTMENT OF TRANSPORTATION

FRONT OF WALL ELEVATIONS - III
STRUCTURE NO. 016-2024

SHEET NO. RW2-05 OF RW2-09 SHEETS

F.A.I. RTE.	SECTION	COUNTY	TOTAL SHEETS	SHEET NO.
90/94/290	2013-010R	COOK	747	537
CONTRACT NO.			60W28	
ILLINOIS FED. AID PROJECT				

0162024-60W28-RW2-5.dgn