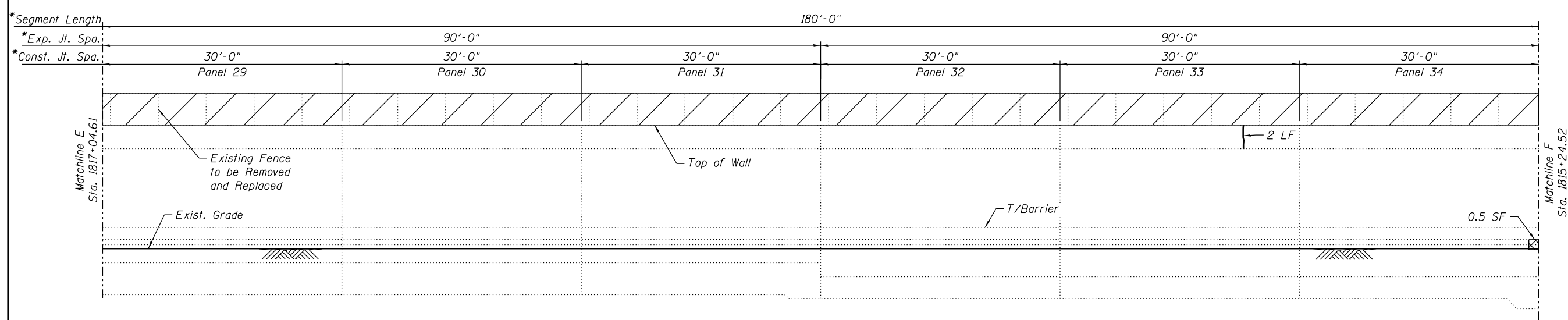
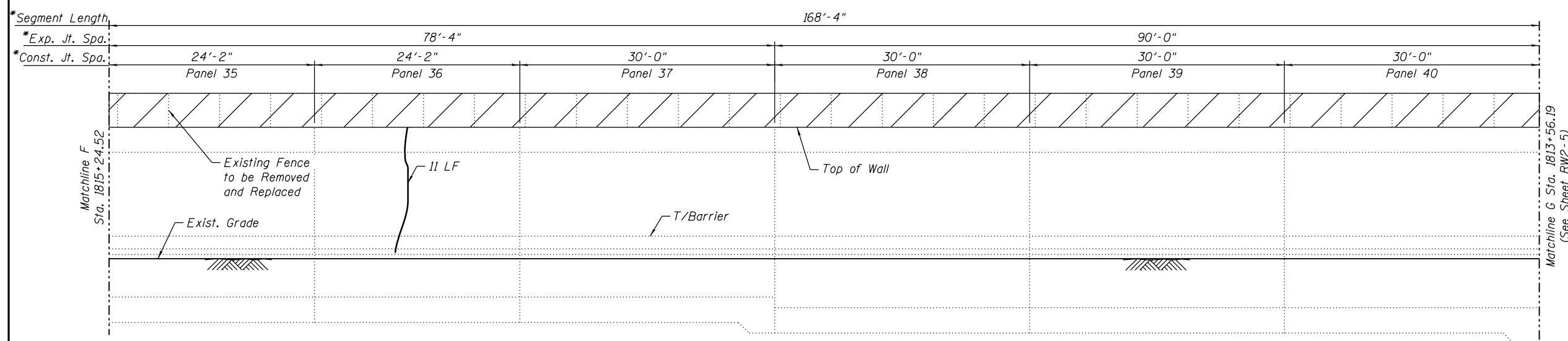


ELEVATION (STATION 1818+85.66 TO 1817+04.61)
(Looking East)



ELEVATION (STATION 1817+04.61 TO 1815+24.52)
(Looking East)



ELEVATION (STATION 1815+24.52 TO 1813+56.19)
(Looking East)

* Measured along Front Face of Wall
 ** Omit New Fence between Sta. 1818+45.67 to Sta. 1820+36.40

NOTES:
 1. Foundations not shown for clarity.

- LEGEND**
- Area of Structural repair of Concrete (Depth greater than 5 in.)
 - Area of Structural repair of Concrete (Depth equal to or less than 5 in.)
 - Epoxy Crack Injection
 - Fence Removal

0162024-60W28-RW2-4.dgn



USER NAME = kritzm	DESIGNED - ATB	REVISED
PLOT SCALE = N.T.S.	CHECKED - EJO	REVISED
PLOT DATE = 4/28/2014	DRAWN - MRK	REVISED
	CHECKED - ATB	REVISED

STATE OF ILLINOIS
 DEPARTMENT OF TRANSPORTATION

FRONT OF WALL ELEVATIONS - II
 STRUCTURE NO. 016-2024
 SHEET NO. RW2-04 OF RW2-09 SHEETS

F.A.I. RTE. 90/94/290	SECTION 2013-010R	COUNTY COOK	TOTAL SHEETS 747	SHEET NO. 536
CONTRACT NO. 60W28			ILLINOIS FED. AID PROJECT	