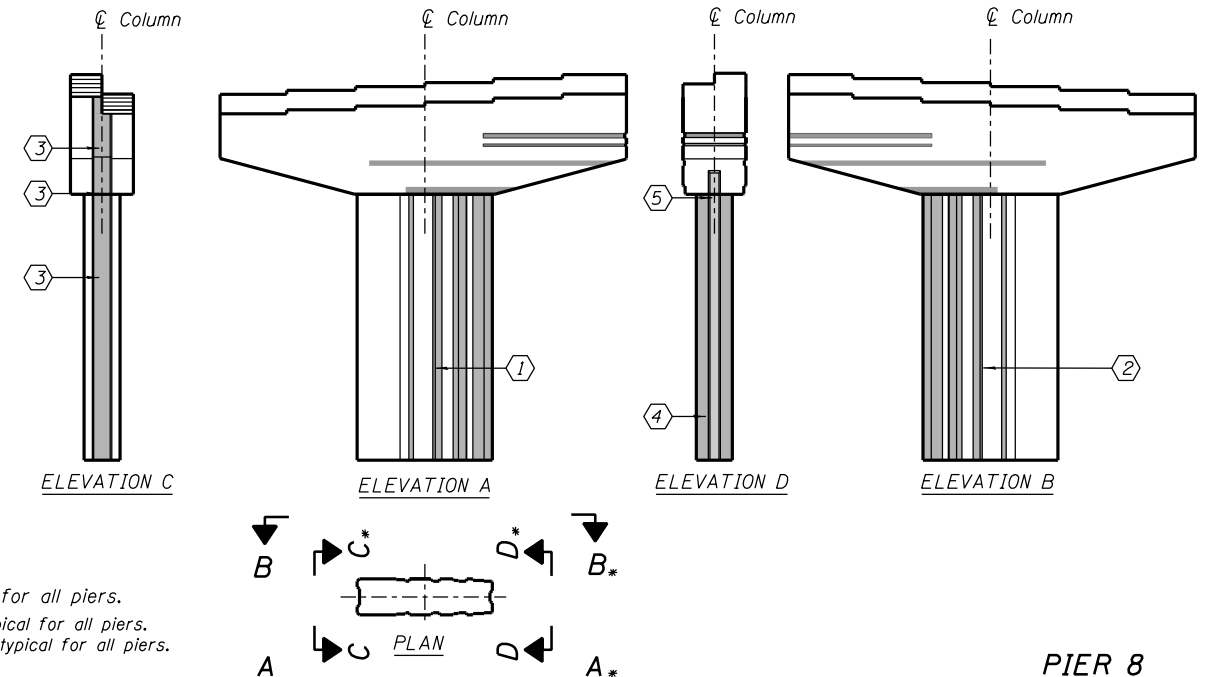
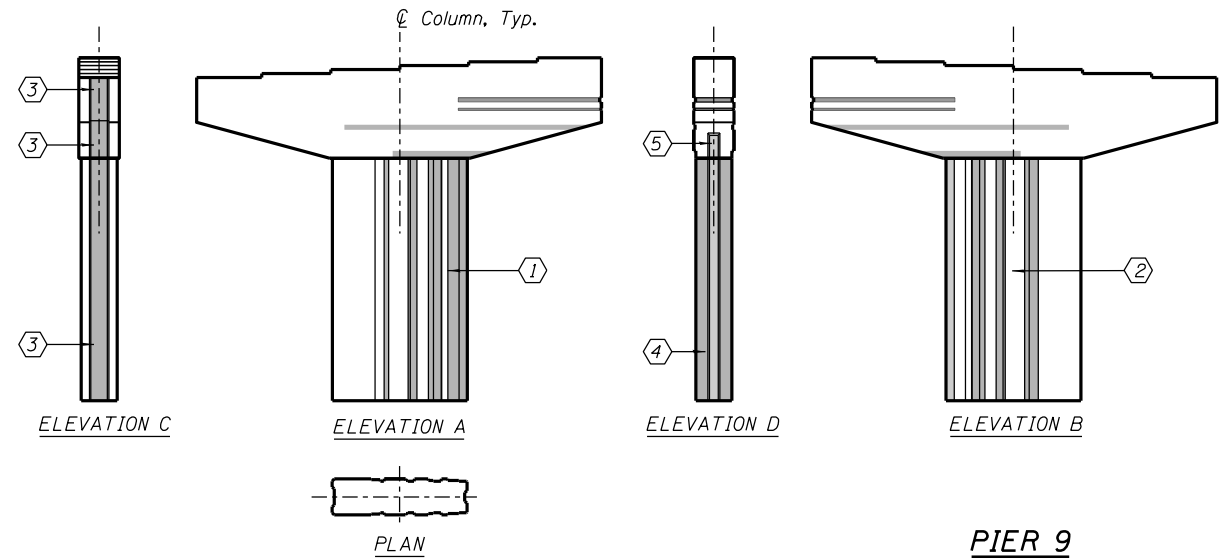


**PIER 7**

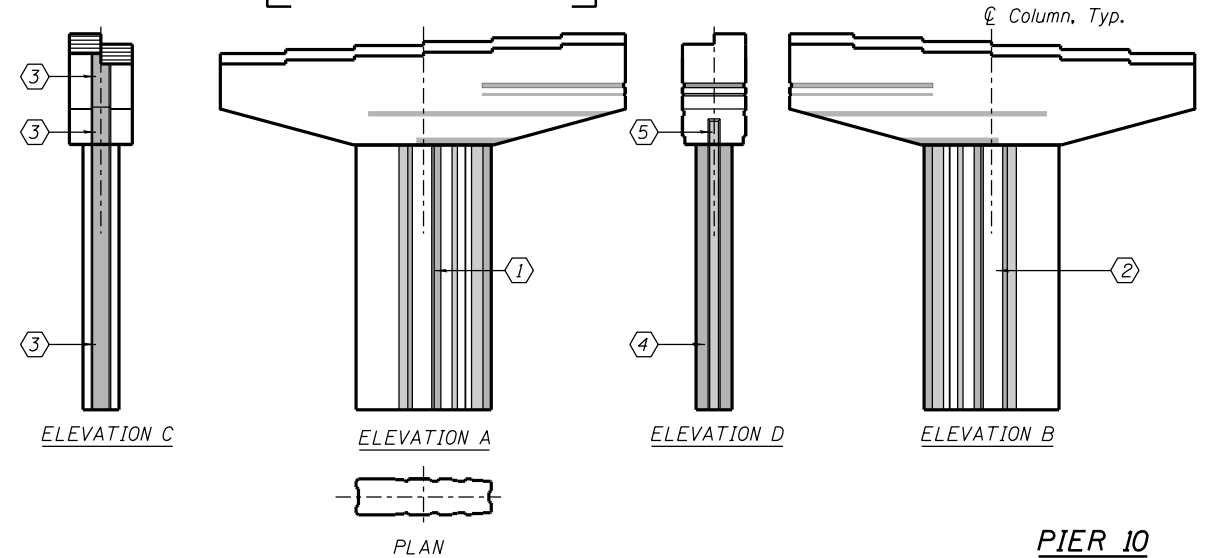
\* Elevation designations are typical for all piers.  
 \*\*Elevation A - Looking Up Station, typical for all piers.  
 \*\*Elevation B - Looking Down Station, typical for all piers.



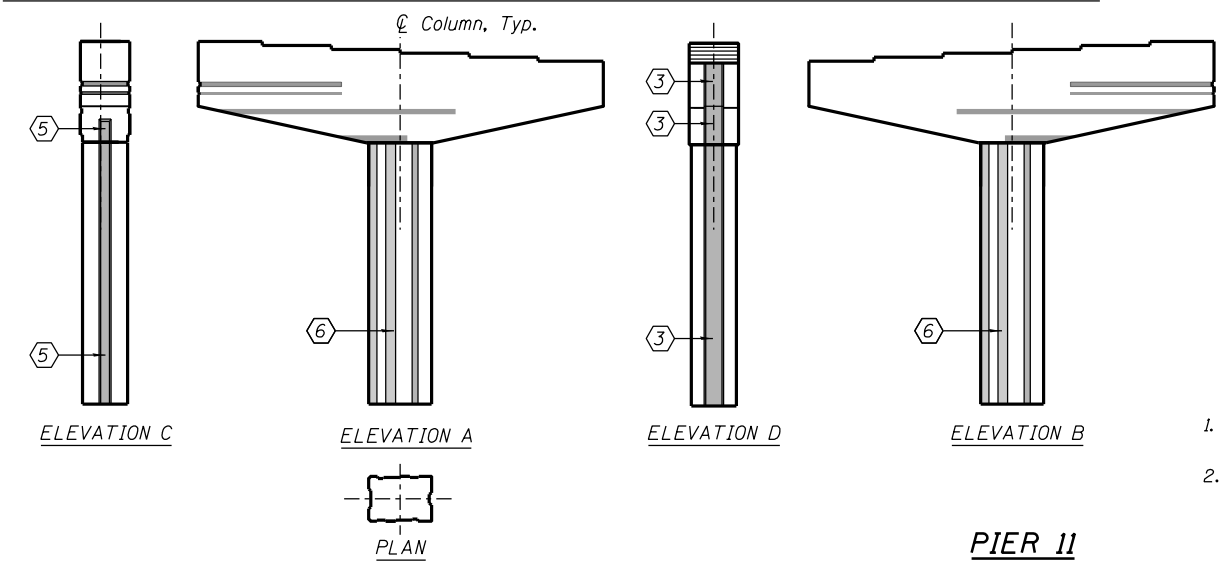
**PIER 8**



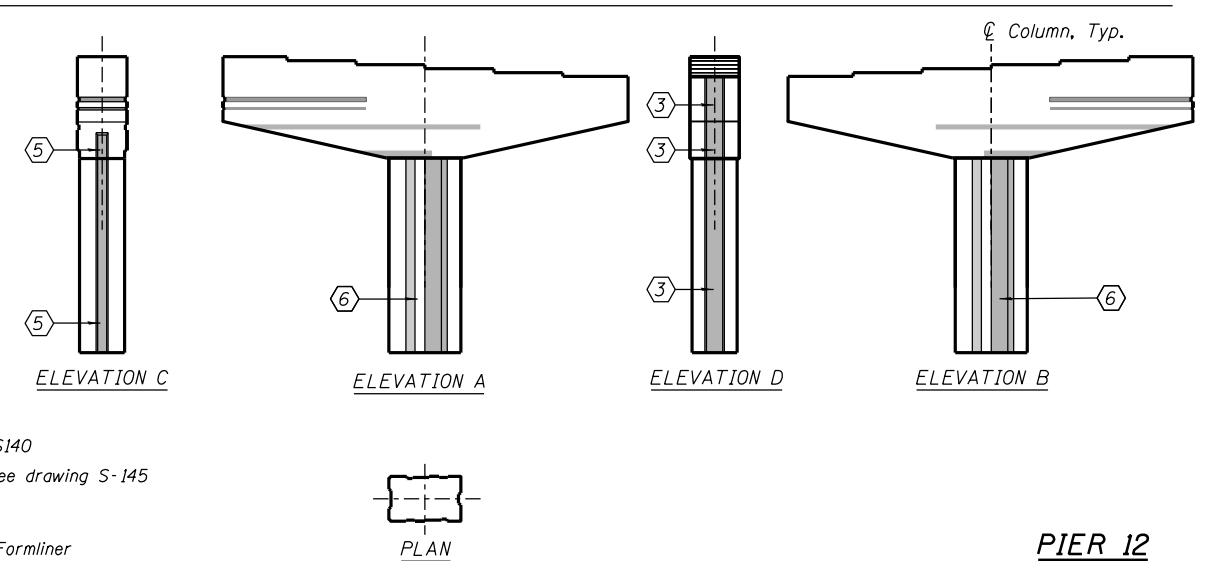
**PIER 9**



**PIER 10**



**PIER 11**



**PIER 12**

**NOTES:**  
 1. For Pier and Pier Cap dimensions see structural drawings: S-116 - S140  
 2. For Formliner and Reveal details see drawing S-145

**LEGEND:**  
 ①②③④⑤⑥ Textured Formliner

0161705-60W28-S144-Pier Elev.dgn



USER NAME = floresg	DESIGNED -	REVISED
	CHECKED - ATB	REVISED
PLOT SCALE = N.T.S.	DRAWN - MR	REVISED
PLOT DATE = 5/7/2014	CHECKED - ATB	REVISED

**STATE OF ILLINOIS  
 DEPARTMENT OF TRANSPORTATION**

**ARCHITECTURAL DETAILS II  
 STRUCTURE NO. 016-1705**  
 SHEET NO. S-144 OF S-165 SHEETS

F.A.I. RTE.	SECTION	COUNTY	TOTAL SHEETS	SHEET NO.
90/94/290	2013-010R	COOK	747	459
CONTRACT NO.			60W28	
ILLINOIS FED. AID PROJECT				